

HÆGER



Bagless Vertical Vacuum Cleaner / Aspirador vertical sem saco Bagless
Aspiradora vertical sin bolsa / Aspirateur vertical sans sac /
Κάθετη ηλεκτρική σκούπα χωρίς τσάντα

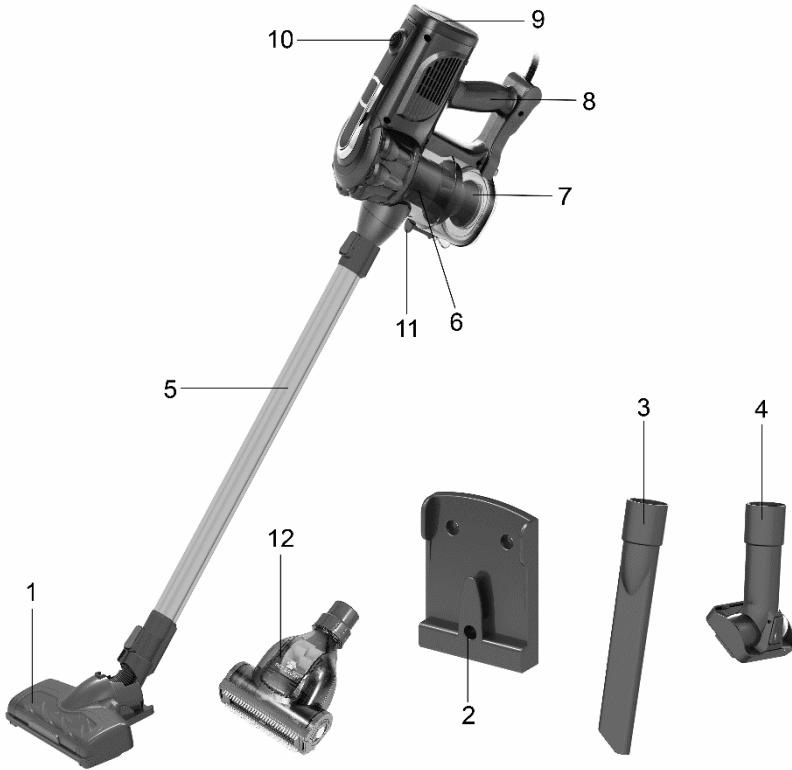
Venus Plus 600 vc-600.047A



Download
Multi-language file

CE RoHS

User instructions / Instruções de uso
Instrucciones de uso / Mode d'emploi
Οδηγίες χρήστη



English

Dear customer

Thank you for having chosen a HÆGER product.

The HÆGER products have been produced to think about the welfare of the consumer privileging the most raised standards of quality, functionality and design. We are sure you will be happy with this appliance.

We assume that the user is familiar with the common procedures of handling household appliances.

Before using the appliance for the first time please read carefully and thoroughly through these operating instructions and the safety advice, completely familiarising yourself with the appliance. Retain these instructions for future reference and pass them on to whoever might acquire the appliance at a future date.

General Safety Instructions

When using this or any other electrical appliance, always follow these basic safety precautions:



READ ALL INSTRUCTIONS BEFORE USE.

- **This appliance can be used by children aged from 8 years and above and persons with reduced physical, sensory or mental capabilities or lack of experience and knowledge if they have been given supervision or instruction concerning use of the appliance in a safe way and understand the hazards involved.**
- **Children shall not play with the appliance.**
- **Cleaning and user maintenance shall not be made by children unless they are older 8 years and supervised.**
- **Keep the appliance and its cord out of reach of children less than 8 years.**
- The device must not be used after falling or when showing visible damage, or if it is leaking.
- If the power cable of this device should become damaged, it must be replaced by the manufacturer, the manufacturer's customer service department or a similarly qualified specialist, in order to avoid any hazards.

- This appliance has been designed exclusively for domestic use. It must only be used in accordance with these instructions. The manufacturer will not be held any responsibility for any damage caused by improper use or incorrect operation.
- This vacuum cleaner is intended only for use on dry surfaces. The vacuum cleaner is not intended for use on foam, water, inflammable or explosive materials or other liquids.
- Do not use the vacuum cleaner for sucking up sharp objects or pieces of glass. Never suck up burning matches, glowing ashes or cigarette ends.
- **Do not use the vacuum cleaner for sucking up products containing chemicals, dust, plaster, cement, or similar particles.**
- **ATTENTION: Do not use the vacuum cleaner to suck up building waste (cement, brick dust, rubble, etc.). These types of particles quickly clog up the pores in the dust filter causing the appliance to overheat.**
- Always make sure that the vacuum cleaner is not placed near radiators, ovens or other heating equipment or heated surfaces. Heat can deform and discolour the plastic parts of unit.
- Always make sure that the ventilation slots are kept free from obstruction. Obstructed air circulation can lead to overheating and damage to the vacuum cleaner.
- Always remove the plug from the power socket when the appliance is not in use.
- The appliance is not intended to be operated by means of external timer or separate remote-control system.
- Never use spirits or other solvents to clean the appliance.
- Never leave the appliance unattended when it is switched on. Keep the appliance out of the reach of children or the infirm.
- Do not switch the appliance on if it appears to be faulty in any way.
- If your vacuum cleaner is defective, please send it to the appropriate service center or have it repaired at an electrical equipment repair workshop. Under no circumstances open the vacuum cleaner yourself. Work on your vacuum cleaner carried out by non-authorized service centers could endanger your health.
- Any rights under the guarantee are lost if these operating instructions are not followed. The guarantee does not cover wear parts or damage resulting from improper use (incorrect operation, water, dropping etc.), work on the vacuum

cleaner carried out by third parties, or technical modifications to the vacuum cleaner.

- **Before you switch on the vacuum cleaner make sure that the mains voltage is the same as that shown in the technical details.**

Overview of the components

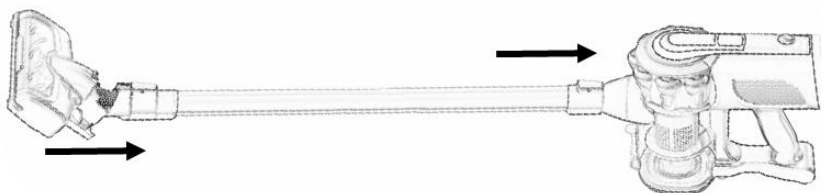
- | | |
|-----------------------------------|--------------------------|
| 1. Motorized brush | 2. Wall mount |
| 3. Long nozzle | 4. Sofa nozzle |
| 5. Aluminum tube | 6. Multi-cyclonic filter |
| 7. Dust container | 8. Handle |
| 9. Wind outlet board | 10. ON/OFF button |
| 11. Dust container release button | 12. Pet brush |

Before using for the first time

1. Take the vacuum cleaner out of the packaging.
2. Remove the packaging and check that the dust container and safety filter are correctly fitted.
3. Clean it with a soft, damp cloth and dry thoroughly. Do not immerse the vacuum cleaner in water or any other liquid.

Assembling the vacuum cleaner

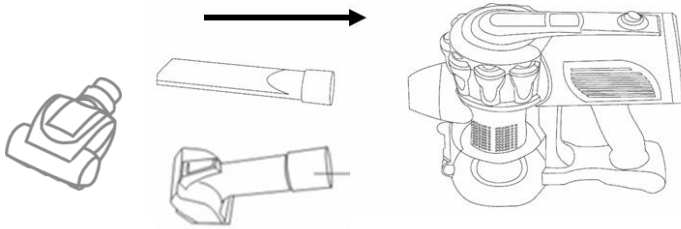
Use of the extension tube



- If there are any hard to reach or narrow areas then the extension tube is ideal.
- The extension tube needs to be fitted into position on the air inlet followed by the required cleaning accessory.
- Fit the tube onto the main body's air inlet until it clicks into the position. If need to remove the tube, hold the main body, press the release knob and remove the tube.

Using long nozzle, sofa nozzle or pet brush

- Attach the nozzle or brush by pushing it into the suction opening as shown below. Turn on the Vacuum cleaner by pressing the "On/Off" button to start use.



- **NOTE:** the long brush is ideal for removing dust and dirt from folds in fabrics stairs, in corners and awkward crevices.

How to use

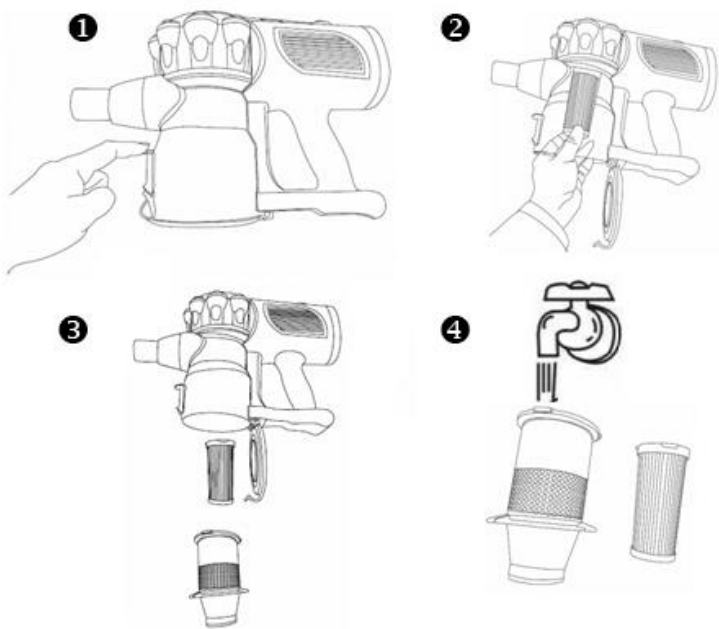
1. Make sure that the filter is correctly installed.
2. Make sure the ON/OFF switch is in OFF position (turned off).
3. Chose if you want to use the appliance with or without the extension attachment.
4. Insert the power plug into the power outlet.
5. Push the ON/OFF switch.
6. Guide the nozzle over the surface to be cleaned, check whether the maximum fill level on the collecting container has been reached. If this is the case, it needs to be emptied.
7. After use, push the ON/OFF switch down again and unplug the appliance.

Care and Maintenance

Emptying the dust container

The dust container is totally visible and therefore when it reaches the first line of the plastic filter holes, it needs to be cleaned.

1. Turn the vacuum cleaner off by pressing the “on/off” button to stop the motor.
2. Unplug the vacuum cleaner from the mains power supply.
3. Remove the dust container by pressing the dust container release button and remove it from the main body. (1)
4. Turn the plastic filter and take it out and then take out the HEPA filter and empty the dirt inside. Shake the dust container gently to remove any remaining dust. (2)(3)
5. Clean the filter in cold water and allow it to dry completely for at least 6 hours in direct sunlight. (4)
6. Put the filter back to the dust container and put the dust container into the main body until it locks back into it position.



- **Note:** Do not clean the filter using detergent.
- **Note:** Do not use external heat sources such as a radiator to dry the filter.
- **Ensure** always that the dust container, filter and cyclone part are kept clean and regularly maintained to prolong the life of the vacuum cleaner.
- **Do not** use the vacuum cleaner to pick up flammable liquids, matches, cigarette ends, hot ashes or any hot burning or smoking objects.
- **Do not** use the vacuum cleaner to pick up water or any other liquid, as this poses risk of an electric shock.
- **Do not** wash the appliance or its parts in the dishwasher.



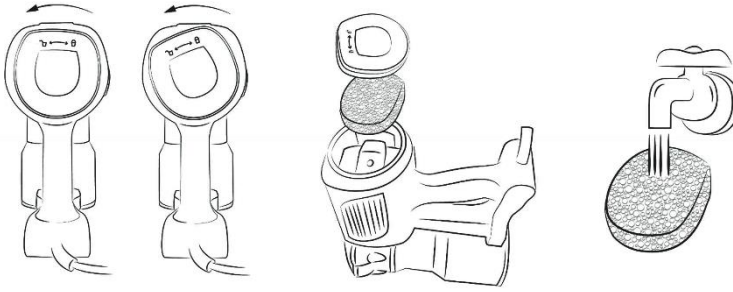
Warning: Do not use the Vacuum cleaner without the removable filter or dust container not in position.



Warning: This product is fitted with a thermal cut-out, which will activate if the motor overheats due to blocked air inlets. If the appliance cuts out, allow it to cool for 1 hour, then empty the dust container and clean all of the filters.

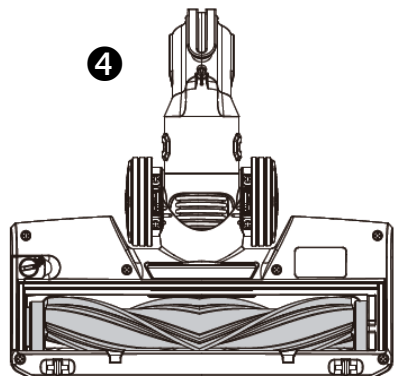
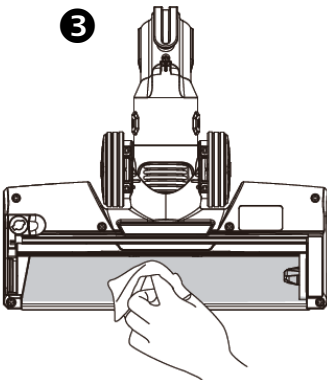
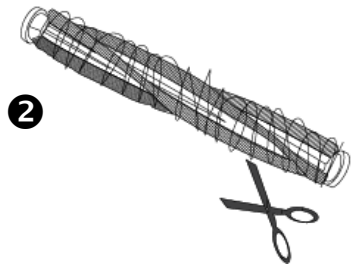
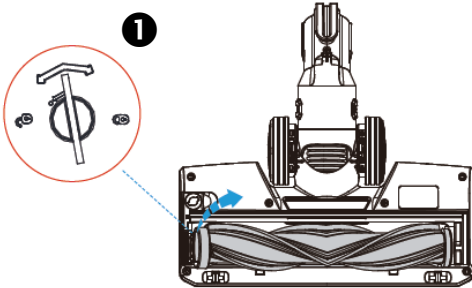
STORAGE: Before storing the vacuum cleaner on wall mount accessory, ensure that it is clean and all of the parts are dried fully.

Wind outlet filter (Motor filter) - it is advisable to be washed every week and changed at least once 3 years. It was fixed at the back of machine, only turn the cover and then take it out for washing or replacing.



Rotating brush cleaning

- 1) Turn the floorhead upside down.
- 2) Turn the brush bottom screw to unlock position (see picture).
- 3) Open the brush bottom fixed device and remove the rotating brush from the floorhead.
- 4) Clean the rotating brush. Has, for instance, hair been caught, use your fingers to pull them off.
- 5) Put the rotating brush back into the floor head and the brush bottom fixed device.
- 6) Turn the brush bottom screw to lock position.



Troubleshooting

1. Low suction when received new product.

Solution: Please check if all accessories are correct assembled and the bottom cover was closed and locked.

2. Low suction after using few minutes.

Solution: Please check if there is big object block in the brush, tube or dust container, it will be returned high suction power after removed.

3. Power cut off automatically after using a while.

Solution: The vacuum cleaner was equipped with motor thermostat (motor protector), when dust is full or the appliance is long time using (more than 30mins), the motor overheats very quickly, the power is cut-off automatically to protect appliance from burning. Please unplug the device, empty the dust and clean the filter and wait motor cool down (at least 30~60 minutes) before using again. If the vacuum cleaner does not start again seek authorized technical assistance.

4. Low suction after using for some period.

Solution: please unplug the machine, empty the dust, disassembled the plastic/HEPA filter and washing in water, the filters must be dried fully (or using cool wind by hair dryer to dry) and then fixed back.

5. Motorized Turbo Brush doesn't work or stop working.

Solution: please check if the hair twists the brush roller and remove hair.

Important: The motorized turbo floor brush can only be using on hard floor; it will be probably stopped working if using on carpet floor.

Technical Specifications

Features	Model VC-600.047A
Rated Power (W)	600W
Rated Voltage	220-240V~, 50/60 Hz
Dust container capacity (ml)	600ml
Max. Suction Power (W)	100W
Max- Air flow	16.73 l/s
Max. Vacuum power	18.5 Kpa
Sound power level (dB (A))	≤79.3 dB(A)

Conformity CE

This product has been tested and produced according to all relevant current CE guidelines, such as:



- Electromagnetic compatibility Directive 2014/30/EU,
- Low voltage Directive (LVD) Directive 2014/35/EU,
- RoHS with its amendments Directive EU 2015/863,

and has been constructed in accordance with the latest safety regulations.

The CE mark attests this product with all relevant directives.

Disposal – Environment policy

Packing



The packaging material is entirely recyclable and marked with the recycling symbol. Follow local regulations for scrapping. Keep the packaging materials (plastic bags, polystyrene parts, etc.) out of reach of children, as they are potentially dangerous.

Disposal

This appliance is marked according to the European directive 2012/19/EU on Waste Electrical and Electronic Equipment (WEEE).

By ensuring this product is disposed of correctly, you will help prevent potential negative consequences for the environment and human health, which could otherwise be caused by inappropriate waste handling of this product.



This symbol on the product, or on the documents accompanying the product, indicates that this appliance may not be treated as household waste. Instead, it shall be handed over to the applicable collection point for the recycling of electrical and electronic equipment.

Disposal must be carried out in accordance with local environmental regulations for waste disposal. For more detailed information about treatment, recovery and recycling of this product, please contact your local city office, your household waste disposal service or the shop where you purchased the product.

Warranty

Warranty Terms and Conditions

1. The product is guaranteed for the period stipulated by the legislation where it is placed on the market, starting from the date of purchase, against manufacturing defects and/or workmanship. The lack of conformity manifested in this period is presumed to exist at the date of purchase. After this period, it is for the customer to prove that the lack of conformity already existed at the time of delivery.
2. If, during the warranty period, the product is defective in normal use, the buyer should contact the selling establishment and send the appliance to the place indicated by the seller.
3. The warranty is only valid upon presentation of the invoice proving the purchase and the completed warranty certificate (indicating the date of purchase, the name of the dealer, the

reference of the model, and it is also recommended to indicate the serial number and lot number).

4. The importer/seller reserves the right to refuse warranty assistance in the event that such information has been deleted or altered after the original purchase of the product.
5. The responsibility of the importer/seller includes in particular the costs of repairing and/or replacing the unit covered by the warranty with the reservation of the right to replace it with an equivalent product, in cases where it is not possible to repair it.
6. The warranty does not apply to problems that are not directly related to defects in material, design or workmanship.
7. This product is an appliance and is intended for home use only. The warranty will be void if the product is used for professional purposes.
8. The warranty does not cover damage caused by misuse, improper installation, spillage, external factors, or intentional damage.
9. The warranty does not cover damage resulting from falls, use of excessive force, blows, exposure to extreme environmental conditions or deterioration caused by the normal use of plastic parts or keyboards, as well as the use of batteries other than those specified in this manual.
10. The warranty does not cover installation and programming by the dealer. In particular, no claim for installation and free programming by the reseller may be accepted.
11. The warranty does not cover deficiencies that insignificantly impair the operation of the appliance. Other costs, such as installation, transportation and travel of the technician are expressly excluded from the warranty.
12. The applicability of the warranty presupposes that the appliance is sent to the seller or place indicated by him, complete and in well-protected packaging (if possible, in its original packaging) and accompanied by its sheet or warranty card duly filled out and proof of purchase.
13. If after verification, it is found that there are no reasons for the claim, or that the product is not defective, the inherent costs will be imputed to the customer, and the dealer is authorized to charge those costs to the customer.
14. The warranty will be void when it shows signs that an unauthorized person has attempted to carry out repairs, modifications or replacement of parts on the appliance.
15. Repairs carried out after the end of the warranty period are subject to costs.
16. This warranty does not affect your legal rights that you may have as a consumer under applicable national law governing the purchase of products where the product is sold.
17. **Warranty Period:**

European Union countries - European Directives (EU) 2019/771 and (EU) 2019/770 apply on certain aspects of contracts for the purchase and sale of movable property and transposed into the national laws of their countries.

Other countries - national legislation on consumer rights in their country applies. In the case of no official legislation, the guarantee shall be applied at the discretion of the importer placing the product on the market or the seller establishment.

Português

Estimado Cliente

Obrigado por ter escolhido um produto HÆGER.

Os produtos HÆGER foram concebidos a pensar no bem-estar do consumidor, privilegiando os mais elevados padrões de qualidade, funcionalidade e designe. Estamos certos da sua satisfação pela aquisição deste produto.

Partimos do princípio de que o utilizador possui conhecimentos gerais sobre o manuseamento com eletrodomésticos.

Antes da primeira utilização, leia cuidadosa e totalmente estas instruções de utilização e de segurança e familiarize-se com as funções do aparelho. Guarde estas instruções e, se necessário, entregue-as a terceiros.

Instruções Gerais de Segurança

Ao usar este ou qualquer outro eletrodoméstico, siga sempre estas precauções básicas de segurança:



LEIA TODAS AS INSTRUÇÕES ANTES DO USO.

- **Este aparelho pode ser utilizado por crianças com idade a partir de 8 anos e por pessoas com capacidades físicas, sensoriais ou mentais ou falta de experiência e conhecimento, se tiverem recebido supervisão ou instruções relativas à utilização do aparelho de forma segura e entender os riscos envolvidos.**
- **As crianças não devem brincar com o aparelho.**
- **Qualquer limpeza e ou manutenção não deve ser feito por crianças a não ser que tenham idade superior a 8 anos e sejam supervisionados.**
- **Mantenha o aparelho e o cabo de alimentação fora do alcance de crianças com menos de 8 anos.**
- O dispositivo não deve ser usado depois de cair ou quando apresentar danos visíveis ou se estiver vazando.
- Se o cabo de energia deste dispositivo for danificado, deve o mesmo ser substituído pelo fabricante, pelo departamento de atendimento ao cliente do fabricante ou por um especialista qualificado, a fim de evitar qualquer risco.

- Este aparelho foi concebido exclusivamente para uso doméstico. Apenas deve ser utilizado de acordo com estas instruções. O fabricante não se responsabiliza por danos causados por utilização inadequada ou funcionamento incorreto.
- Este aspirador foi concebido apenas para superfícies secas. O aparelho não é indicado para espuma, água, materiais inflamáveis ou explosivos ou outros líquidos.
- Não utilize o aparelho para a aspiração de objetos pontiagudos ou estilhaços de vidro. Nunca aspire fósforos a arder, cinza incandescente ou pontas de cigarro acesas.
- **Não utilize o aspirador para a aspiração de produtos químicos, poeira de pedra, gesso, cimento ou outras partículas semelhantes.**
- **ATENÇÃO: Não utilize o aspirador para limpar entulhos de obra (cimento, pó de tijolos, escombros, etc.). Este tipo de partículas entope o filtro do motor e faz com que o aparelho aqueça excessivamente.**
- Certifique-se que o aspirador não se encontre nas imediações de radiadores, fornos ou outros aparelhos ou superfícies aquecidas. O calor pode deformar e descolorir as partes plásticas da unidade.
- Certifique-se que os orifícios de ventilação estão desobstruídos. Um bloqueio na circulação do ar pode levar a um sobreaquecimento e à danificação do aparelho.
- Retire sempre a ficha da tomada quando o aparelho não está a ser usado.
- O aparelho não se destina a ser operado por meio de temporizador externo ou sistema de controle remoto separado.
- Nunca utilize álcool ou outros solventes para limpar o aparelho.
- Nunca deixe o aparelho sem vigilância quando estiver ligado. Mantenha o aparelho fora do alcance de crianças ou pessoas enfermas.
- Não ligue o aparelho se parecer estar com algum.
- Envie os aparelhos danificados ao respetivo serviço de assistência técnica ou, então, mande-os reparar apenas numa oficina devidamente qualificada. Em circunstâncias nenhuma, deverá abrir, por si mesmo, o aparelho. As manipulações, que não tenham sido levadas a cabo por serviços de assistência técnica autorizados, podem constituir um risco para a sua saúde.
- O direito à garantia cessa em caso de não observância destas instruções de utilização bem como em caso de danos que resultem dum manejo inadequado (operação incorreta, danos provocados por penetração de água

ou por quedas, etc.), manipulações efetuadas por terceiros, modificações técnicas no aparelho ou peças de desgaste.

- **Antes de ligar o aspirador, certifique-se de que a tensão da rede corresponde à tensão indicada na placa de características técnicas do aparelho.**

Descrição dos elementos

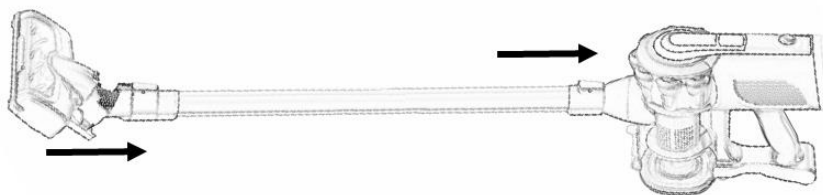
- | | |
|--------------------------------------|--------------------------------------|
| 1. Escova motorizada | 2. Suporte de parede |
| 3. Bocal longo | 4. Bocal para sofá |
| 5. Tubo de alumínio | 6. Filtro mult ciclônico |
| 7. Recipiente de pó | 8. Pega |
| 9. Placa de saída de vento | 10. Botão de energia ON/OFF |
| 11. Botão de liberação do recipiente | 12. Escova para animais de estimação |

Antes da primeira utilização

1. Retire o aparelho da embalagem.
2. Remova a embalagem e verifique se o contentor de pó e o filtro de segurança estão instalados corretamente.
3. Limpe-o com um pano macio e húmido e enxugue completamente. Não mergulhe o aspirador em água ou qualquer outro líquido.

Montagem do aspirador

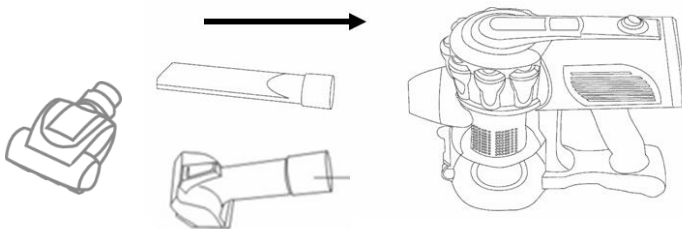
Uso do tubo de extensão telescópico



- Se houver alguma área de difícil acesso ou estreita, o tubo de extensão é o ideal.
- O tubo de extensão deve ser colocado na entrada de ar, seguido do acessório de limpeza necessário.
- Encaixe o tubo na entrada de ar do corpo principal até ouvir um clique quando está em posição. Se precisar de remover o tubo, segure o corpo principal, pressione o botão de desbloqueio e remova o tubo.

Uso do bocal longo, bocal de sofá ou escova para animais de estimação

- Encaixe o bocal ou a escova na entrada de ar do corpo principal, até ouvir um clique. Ligue o aspirador pressionando o botão “ON/OFF” para começar a usar.



- **NOTA:** A escova longa é ideal para remover poeira e sujeira de dobras em escadas de tecidos, em cantos e fendas desajeitadas.

Como usar

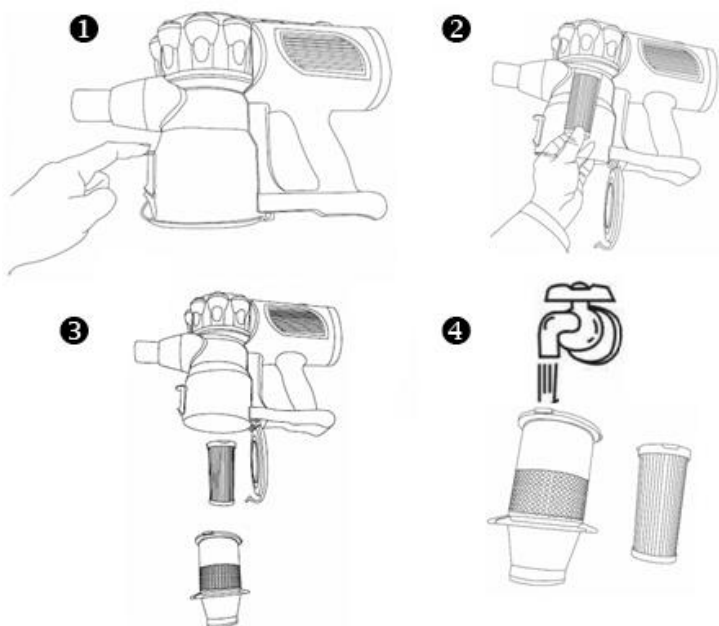
1. Certifique-se de que o filtro está instalado corretamente.
2. Certifique-se de que o interruptor ON/OFF está na posição OFF (desligado).
3. Escolha se deseja usar o aparelho com ou sem o acessório de extensão.
4. Insira a ficha de alimentação na tomada.
5. Pressione o botão ON/OFF.
6. Passe o bico sobre a superfície a ser limpa, verifique se o nível máximo de enchimento do recipiente de pó foi atingido. Se este for o caso, ele precisa ser esvaziado.
7. Após o uso, pressione o botão ON/OFF novamente e desligue o aparelho.

Cuidados e manutenção

Esvaziar o coletor de poeira

O depósito de pó está totalmente visível e, por isso, quando atinge a primeira linha dos orifícios do filtro de plástico, necessita de ser limpo.

1. Desligue o aspirador pressionando o botão “ON/OFF” para parar o motor.
2. Desligue o aspirador da corrente elétrica.
3. Remova o recipiente de pó pressionando o botão de liberação do recipiente de pó e remova-o do corpo principal. (1)
4. Rode o filtro de plástico e retire-o e depois retire o filtro HEPA e esvazie a sujidade do interior. Agite o recipiente de pó com cuidado para remover qualquer pó restante. (2)(3)
5. Lave o filtro em água fria e deixe-o secar completamente por pelo menos 6 horas sob luz solar direta. (4)
6. Coloque o filtro de volta no recipiente de pó e coloque o recipiente de pó no corpo principal até que ele trave de volta na posição.



- **Nota:** não limpe o filtro com detergente.
- **Nota:** Não utilize fontes de calor externas, como radiadores, para secar o filtro.
- **Assegure-se** sempre de que o depósito de pó, o filtro e a peça do ciclone são mantidos limpos e sujeitos a manutenção regular para prolongar a vida útil do aspirador.
- Não utilize o aspirador para aspirar líquidos inflamáveis, fósforos, pontas de cigarro, cinzas quentes ou quaisquer objetos quentes ou fumegantes.
- Não utilize o aspirador para aspirar água ou qualquer outro líquido, pois há risco de choque elétrico.
- Não lave o aparelho ou as suas peças na máquina de lavar loiça.



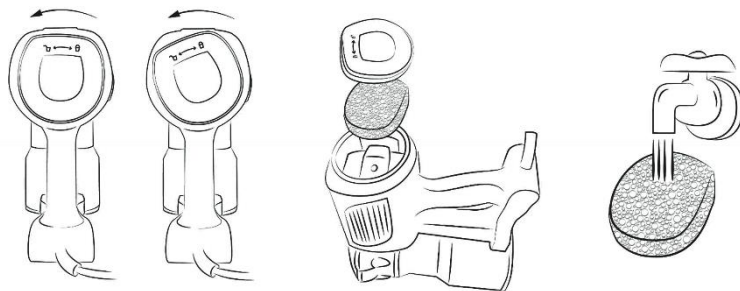
Aviso: Não use o aspirador se o filtro removível ou o contentor de pó não estiverem no seu lugar.



Aviso: Este produto está equipado com um corte térmico, que será ativado se o motor sobreaquecer devido a entradas de ar bloqueadas. Se o aparelho se desligar, deixe-o esfriar por 1 hora, esvazie o recipiente de pó e limpe todos os filtros.

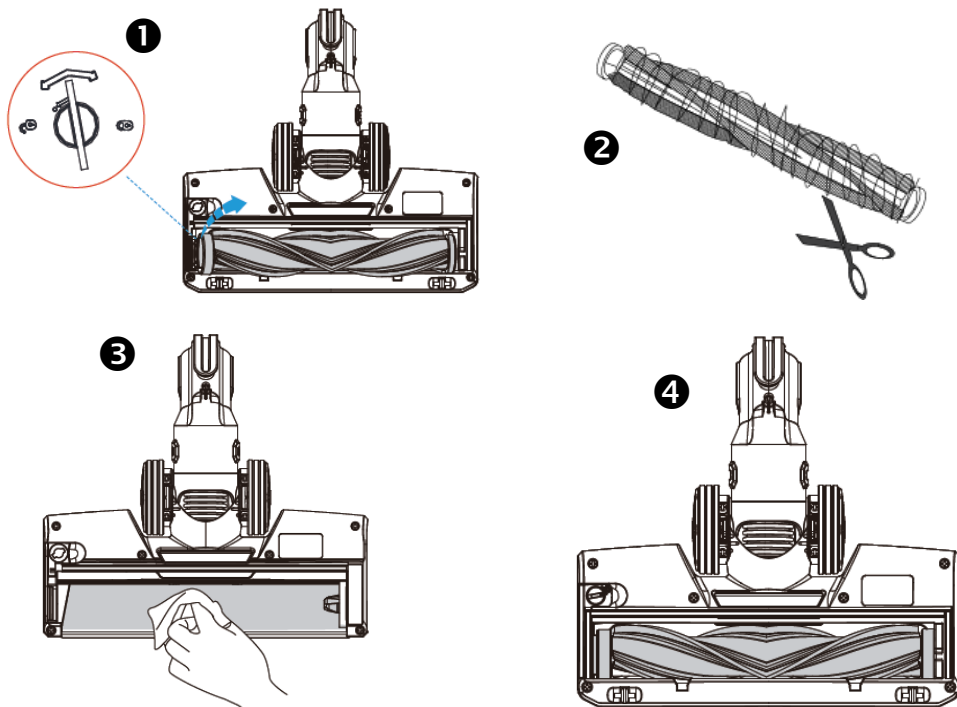
ARMAZENAMENTO: Antes de guardar o aspirador no acessório de montagem na parede, certifique-se de que está limpo e que todas as peças estão completamente secas.

Filtro de saída de ar (Filtro do Motor) - é aconselhável lavar semanalmente e trocar pelo menos uma vez a cada 3 anos. Está colocado na parte traseira da cabeça do motor, basta girar a tampa e depois retirá-lo para lavar ou substituir.



Limpeza de escova rotativa

- 1) Vire ao contrário o bocal para o chão.
- 2) Rode o parafuso da escova inferior para a posição de desbloqueada (veja a figura).
- 3) Retire o dispositivo fixo da escova inferior e remova a escova rotativa do bocal para o chão.
- 4) Limpe a escova rotativa. Se porventura os cabelos estão emaranhados, use os seus dedos ou uma tesoura para retirá-los.
- 5) Coloque de novo a escova rotativa no bocal e o respetivo dispositivo fixo.
- 6) Rode o parafuso da escova para a posição de bloqueada.



Solução de problemas

1. Baixa sucção ao receber um novo produto.

Solução: Verifique se todos os acessórios estão montados corretamente e se a tampa inferior está fechada e travada.

2. Baixa sucção após alguns minutos de uso.

Solução: Verifique se existe algum bloqueio de objeto na escova, tubo ou no recipiente de pó, o poder de sucção aumentará assim que remover o objeto.

3. A energia é cortada automaticamente após um tempo de uso.

Solução: O aspirador foi equipado com termostato do motor (protetor do motor), quando a poeira está cheia ou o aparelho está em uso por muito tempo (mais de 30 minutos), o motor superaquece muito rapidamente, a energia é cortada automaticamente para proteger o aparelho contra queimaduras. Desligue o aparelho, esvazie a poeira e limpe o filtro e espere o motor esfriar (pelo menos 30 a 60 minutos) antes de usá-lo novamente. Caso o aspirador não volte a funcionar procure assistência técnica autorizada.

4. Baixa sucção após o uso por algum período.

Solução: desligue a máquina, esvazie o pó, desmonte o filtro de plástico/HEPA e lave-o em água, os filtros devem ser totalmente secos (ou usando vento frio do secador de cabelo) e depois fixados de volta.

5. A escova turbo motorizada não funciona ou para de funcionar.

Solução: verifique se o cabelo torce o rolo da escova e assim for remova o cabelo.

Importante: A escova turbo motorizada só pode ser usada em piso duro; provavelmente parará de funcionar se for usada em tapete.

Características Técnicas

Características	Modelo VC-600.047A
Potência nominal (W)	600W
Tensão nominal (V AC)	220-240v~ 50/60Hz
Capacidade do recipiente de pó (ml)	600ml
Potência de sucção	100W
Fluxo de ar	16.73 l/s
Potência de aspiração	18.5 Kpa
Nível de ruído	≤79.3 dB(A)

Conformidade CE

Este aparelho foi testado e produzido de acordo com todas as atuais diretivas relevantes da UE, tais como:



- Diretiva de Compatibilidade eletromagnética 2014/30/EU,
- Diretiva de Baixa tensão LVD 2014/35/EU,
- Diretiva RoHS e respetiva emenda EU 2015/863

e foi fabricado de acordo com as mais recentes normas de segurança.

A marcação CE atesta este produto com todas as diretivas relevantes.

Eliminação – Política ambiental

Embalagem



A embalagem é constituída por material inteiramente reciclável e está marcada com o símbolo de reciclagem. Para a eliminação, respeite as normas locais. Os materiais de embalagem (sacos de plástico, pedaços de poliestireno, etc.) devem ser mantidos fora do alcance das crianças dado que constituem potenciais fontes de perigo.

Eliminação

Este aparelho está classificado de acordo com a Diretiva Europeia 2012/19/EU sobre Resíduos de equipamento elétrico e eletrónico (CEE).

Ao garantir a eliminação adequada deste produto, estará a ajudar a evitar potenciais consequências negativas para o ambiente e para a saúde pública, que poderiam derivar de um manuseamento de desperdícios inadequado deste produto.



Este símbolo no produto, ou nos documentos que acompanham o produto, indica que este aparelho não pode ser tratado como lixo doméstico. Pelo contrário, deve ser entregue no ponto de recolha para a reciclagem de equipamento elétrico e eletrónico.

A eliminação deve ser efetuada de acordo com as normas ambientais locais para a deposição de resíduos. Para obter informações mais detalhadas sobre o tratamento, a recuperação e reciclagem deste produto, entre em contacto com o departamento local, o serviço de recolha de lixo ou a loja onde adquiriu o produto.

Garantia

Termos e Condições de garantia

1. O produto é garantido pelo período estipulado pela legislação onde é colocado no mercado, iniciando-se a partir da data de compra, contra defeitos de fabrico e/ou mão-de-obra. A falta de conformidade que se manifeste nesse, presume-se existente à data da compra. Decorrido este prazo cabe ao cliente provar que a falta de conformidade já existia à data da entrega.
2. Se, durante o período de garantia, o produto apresentar qualquer defeito, em situação de utilização normal, o comprador deverá entrar em contacto com o estabelecimento vendedor e remeter o aparelho para o local por este indicado.
3. A garantia só é válida mediante a apresentação da fatura comprovativa da compra e do certificado de garantia preenchido (indicando a data de aquisição, o nome do revendedor, a

referência do modelo, sendo ainda recomendada a indicação do número de série e número do lote).

4. O importador/vendedor reserva-se o direito de recusar assistência em garantia no caso de as referidas informações terem sido apagadas ou alteradas após a compra original do produto.
5. A responsabilidade do importador/vendedor inclui nomeadamente os custos da reparação e/ou substituição da unidade coberta pela garantia com a reserva do direito de substituir por um produto equivalente, nos casos em que não seja possível a sua reparação.
6. A garantia não é aplicável a problemas que não estejam diretamente relacionados com defeitos de material, conceção ou mão-de-obra.
7. Este produto é um eletrodoméstico e destina-se apenas a uso doméstico. A garantia perderá validade se o produto for usado para fins profissionais.
8. A garantia não cobre danos causados por uso incorreto, instalação incorreta, derramamento, fatores externos ou danos intencionais.
9. A garantia não cobre danos resultantes de quedas, uso de força excessiva, golpes, exposição a condições ambientais extremas ou deterioração causada pelo uso normal de peças plásticas ou teclados, bem como pelo uso de baterias diferentes das especificadas neste manual.
10. A garantia não cobre a instalação e programação por parte do revendedor. Em particular, não poderão ser aceites reclamação para instalação e programação gratuita por parte do revendedor.
11. A garantia não cobre deficiências que prejudicam de forma insignificante o funcionamento do aparelho. Outros custos, tais como a instalação, transporte e/ou deslocação de técnicos estão expressamente excluídos da garantia.
12. A aplicabilidade da garantia pressupõe que o aparelho seja enviado ao estabelecimento vendedor ou local por este indicado, completo e em embalagem bem protegida (se possível na sua embalagem original) e acompanhado da respetiva folha ou cartão de garantia, devidamente preenchida e da prova de compra.
13. Se após a verificação, se concluir que não existem motivos para a reclamação, ou que o produto não apresenta defeitos, os custos inerentes serão imputados ao cliente, estando o revendedor autorizado a cobrar esses custos ao cliente.
14. A garantia perderá validade, quando apresente sinais de que alguma pessoa não autorizada tenha tentado efetuar reparações, modificações ou substituições de peças no aparelho.
15. As reparações realizadas após o final do período de garantia estão sujeitas a custos.
16. Esta garantia não afeta os seus direitos legais que possa ter como consumidor ao abrigo da legislação nacional aplicável que rege a compra de produtos onde o produto é vendido.
17. **Período de Garantia:**

Países da União Europeia - aplicam-se as Diretivas Europeias (EU) 2019/771 e (EU) 2019/770 relativa a certos aspetos dos contratos de compra e venda de bens móveis e transpostas para as legislações nacionais dos respetivos países.

Outros países - aplica-se a legislação nacional sobre os direitos do consumidor do respetivo país. Não existindo legislação oficial, a garantia será aplicada segundo o critério do importador que coloca o produto no mercado ou do estabelecimento vendedor.

Español

Estimado cliente

Gracias por elegir un producto HÆGER.

Los productos HÆGER están diseñados para el bienestar de los consumidores, haciendo hincapié en los más altos estándares de calidad, funcionalidad y diseño. Estamos seguros de su satisfacción con la compra de este producto.

Suponemos que el usuario tiene conocimientos generales sobre el manejo de los aparatos eléctricos.

Lea con atención y, en su totalidad, las instrucciones de uso y seguridad y familiarícese con las funciones del aparato antes de la primera puesta en marcha. Conserve las instrucciones y entréguelas con el aparato si lo transfiriera a terceros.

Indicaciones Especiales de Seguridad

Cuando utilice este o cualquier otro aparato eléctrico, siga siempre estas precauciones básicas de seguridad:



LEA TODAS LAS INSTRUCCIONES ANTES DE USAR

- **Este aparato puede ser usado por niños de 8 o más años de edad y personas con capacidades físicas, sensoriales o mentales reducidas, o falta de experiencia y conocimientos, si reciben supervisión o instrucciones sobre el uso del aparato de forma segura y comprenden los riesgos implicados.**
- **Los niños no deben jugar con el aparato.**
- **La limpieza y el mantenimiento del usuario no deben ser realizados por niños menores de 8 años, y en este caso con supervisión.**
- **Mantenga el aparato y el cable fuera del alcance de niños menores de 8 años.**
- El dispositivo no debe utilizarse después de caerse o al mostrar daños visibles, o si tiene fugas.
- Si el cable de alimentación de este dispositivo se daña, debe ser reemplazado por el fabricante, el departamento de servicio al cliente del fabricante o un especialista cualificado, para evitar cualquier peligro.

- Este aparato ha sido diseñado exclusivamente para uso doméstico. Solamente debe emplearse de acuerdo con estas indicaciones. El fabricante no se responsabiliza de los daños ocasionados por emplear el aparato de modo incorrecto o contrario a estas normas de uso.
- Esta aspiradora es adecuada solamente para superficies secas. El aparato no es adecuado para espuma, agua, materiales inflamables y explosivos u otros líquidos.
- No utilice la aspiradora para aspirar objetos puntiagudos o pedazos de cristal. No aspirar nunca cerillas ardiendo, ceniza o colillas de cigarrillos ardiendo sin llama.
- **No utilice la aspiradora para aspirar productos químicos, polvo de piedras, yeso, cemento u otras partículas similares.**
- **ATENCIÓN: No utilice el aspirador para limpiar cascotes de obra (cemento, polvo de ladrillos, escombros, etc.). Este tipo de partículas tapa los poros de la bolsa de polvo y hacen que el aparato se caliente en exceso.**
- Ponga atención imprescindiblemente en no colocar el aparato junto a cuerpos de calefacción, hornos u otros aparatos o superficies sobrecalentados. El calor puede deformar y decolorar las partes plásticas de la unidad.
- Ponga siempre atención en que las hendiduras de ventilación estén libres. Un circuito de aire bloqueado puede inducir a sobrecalentamiento y deterioro del aparato.
- Retire siempre el enchufe de la toma de corriente cuando el aparato no esté en uso.
- El aparato no está diseñado para ser operado por medio de un temporizador externo o un sistema de control remoto separado.
- Nunca utilice alcohol u otros disolventes para limpiar el aparato.
- Nunca deje el aparato desatendido cuando esté encendido. Mantenga el aparato fuera del alcance de los niños o enfermos.
- No encienda el aparato si parece estar defectuoso de alguna manera.
- Envíe aparatos defectuosos a la oficina de servicio correspondiente, si bien, encargue efectuar las reparaciones solamente por un taller especializado. No abra nunca en ninguna circunstancia el aparato por sí mismo. Las intervenciones que no se hayan efectuado por un puesto de servicio especializado y autorizado podrán peligrar su salud.
- El derecho de garantía caducará en el caso de la no observación de estas instrucciones para el manejo, así como para el caso de daños que sean a deducir por un manejo no adecuado (manejo erróneo, daños por agua y caída

etc.), intervenciones ajenas, modificaciones técnicas en el aparato o elementos de desgaste.

- **Antes de encender el aspirador asegurarse de que la tensión de red es el mismo que se muestra en los detalles técnicos.**

Descripción de los elementos de manejo

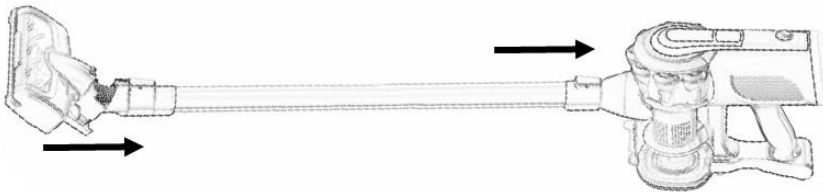
- | | |
|--------------------------------------|-----------------------------|
| 1. Cepillo motorizado | 2. Soporte de pared |
| 3. Boquilla larga | 4. Boquilla de sofá |
| 5. Tubo de aluminio | 6. Filtro multiciclónico |
| 7. Contenedor de polvo | 8. Mango |
| 9. Tablero de salida de viento | 10. Botón encendido/apagado |
| 11. Botón de desbloqueo del depósito | 12. Cepillo para mascotas |

Antes de la primera aplicación

1. Saque la aspiradora del embalaje.
2. Retire el embalaje y verifique que el contenedor de polvo y el filtro de seguridad estén correctamente instalados.
3. Límpielo con un paño suave y húmedo y séquelo bien. No sumerja la aspiradora en agua ni en ningún otro líquido.

Montaje del aspirador

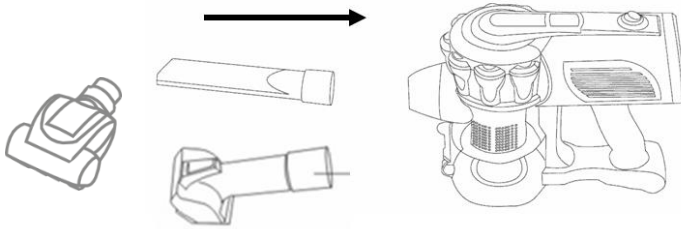
Usar el tubo de extensión



- Si hay áreas difíciles de alcanzar o estrechas, el tubo de extensión es ideal.
- El tubo de extensión debe colocarse en posición en la entrada de aire seguido del accesorio de limpieza requerido.
- Coloque el tubo en la entrada de aire del cuerpo principal hasta que encaje en la posición. Si necesita extraer el tubo, sujete el cuerpo principal, presione la perilla de liberación y retire el tubo.

Usar boquilla larga, boquilla de sofá o cepillo para mascotas

- Coloque el cepillo 2 en 1 en la entrada de aire del cuerpo principal, hasta que encaje en su posición. Encienda la aspiradora presionando el botón " ON/OFF" para usar.



- **NOTA:** el cepillo largo es ideal para eliminar el polvo y la suciedad de los pliegues en las telas de escaleras, en esquinas y grietas incómodas.

Cómo utilizar

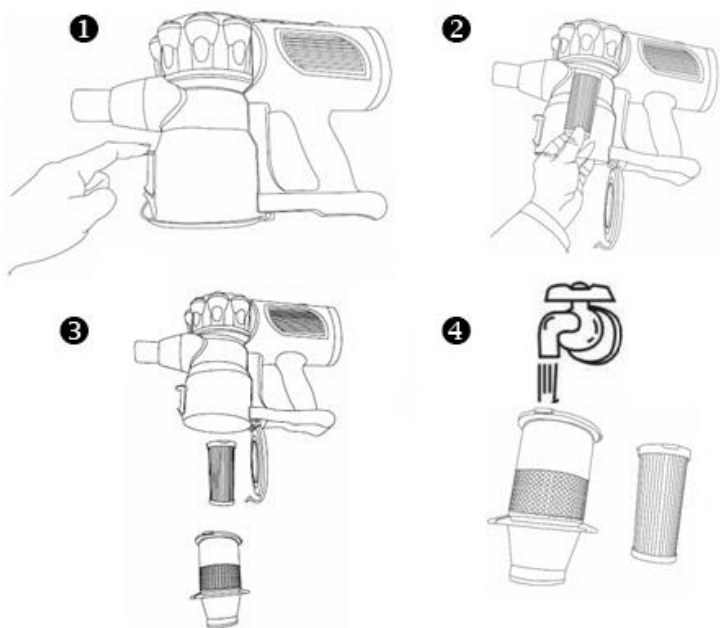
1. Asegúrese de que el filtro esté correctamente instalado.
2. Asegúrese de que el interruptor ON/OFF esté en la posición OFF (apagado).
3. Elija si desea utilizar el aparato con o sin el accesorio de extensión.
4. Inserte el enchufe de alimentación en la toma de corriente.
5. Presione el interruptor de ENCENDIDO/APAGADO.
6. Pase la boquilla por la superficie a limpiar, compruebe si se ha alcanzado el nivel máximo de llenado en el recipiente colector. Si este es el caso, necesita ser vaciado.
7. Después de su uso, vuelva a presionar el interruptor de ENCENDIDO/APAGADO y desenchufe el aparato.

Cuidado y mantenimiento

Vaciar el contenedor de polvo

El contenedor de polvo es totalmente visible y, por lo tanto, cuando llega a la primera línea de los orificios del filtro de plástico, debe limpiarse.

1. Apague la aspiradora presionando el botón "ON/OFF" para detenerla.
2. Desenchufe la aspiradora de la red eléctrica.
3. Retire el contenedor de polvo presionando el botón de liberación del contenedor de polvo y extraiga el contenedor de polvo del cuerpo principal. (1)
4. Gire el filtro de plástico y sáquelo y luego saque el filtro HEPA y vacíe la suciedad del interior. Agite suavemente el contenedor de polvo para eliminar cualquier resto de polvo. (2)(3)
5. Limpie el filtro con agua fría y déjelo secar completamente durante al menos 6 horas bajo la luz solar directa. (4)
6. Vuelva a colocar el filtro en el contenedor de polvo y coloque el contenedor de polvo en el cuerpo principal hasta que se trabaje en su posición.



- **Nota:** No limpiar el filtro con detergente.
- **Nota:** No utilice fuentes de calor externas, como un radiador, para secar el filtro.
- **Asegúrese siempre** de que el contenedor de polvo, el filtro y la parte del ciclón se mantengan limpios y reciban un mantenimiento regular para prolongar la vida útil de la aspiradora.
- No utilice la aspiradora para recoger líquidos inflamables, cerillas, colillas de cigarrillos, cenizas calientes ni objetos calientes que se quemen o humeen.
- No utilice la aspiradora para recoger agua o cualquier otro líquido, ya que esto supone un riesgo de descarga eléctrica.
- No lave el aparato ni sus piezas en el lavavajillas.



Advertencia: No utilice la aspiradora sin el filtro extraíble o el contenedor de polvo que no esté en su lugar.

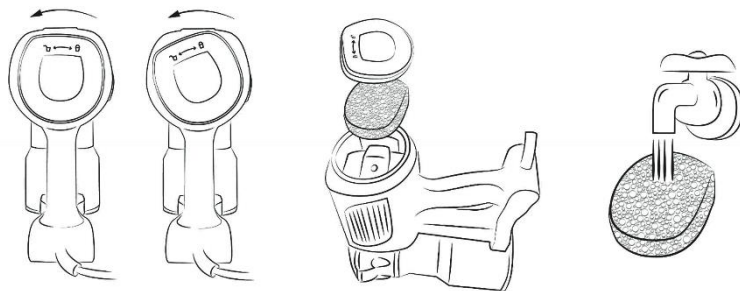


Advertencia: Este producto está equipado con un corte térmico, que se activará si el motor se sobrecalienta debido a que las entradas de aire están bloqueadas.

Si el aparato se apaga, deje que se enfríe durante 1 hora, luego vacíe el contenedor de polvo y limpie todos los filtros.

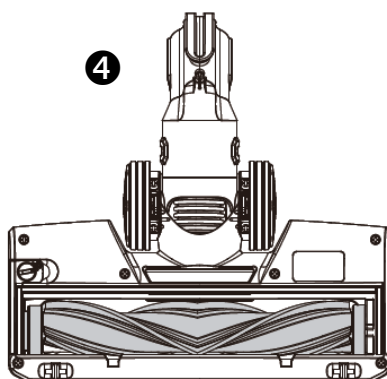
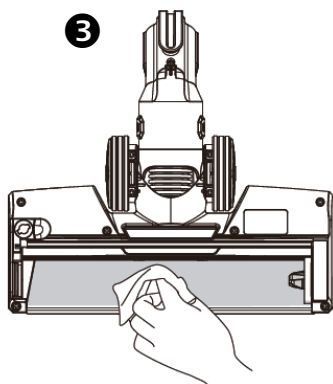
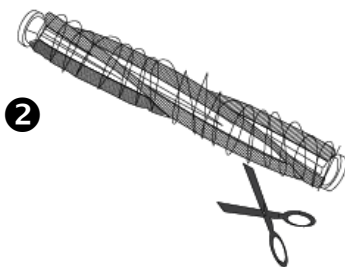
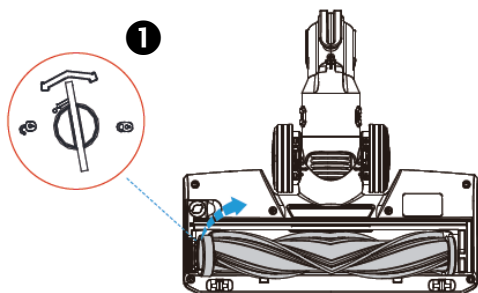
ALMACENAMIENTO: Antes de guardar la aspiradora en el accesorio de montaje en pared, asegúrese de que esté limpia y de que todas las piezas estén completamente secas.

Filtro de salida de aire (Filtro del motor) - se recomienda lavarlo todas las semanas y cambiarlo al menos una vez cada 3 años. Se fijó en la parte posterior de la máquina, solo gire la cubierta y luego sáquela para lavarla o reemplazarla.



Limpieza del cepillo giratorio

- 1) Dé la vuelta a la boquilla para suelos.
- 2) Gire el tornillo del cepillo inferior a la posición de desbloqueo (vea la figura).
- 3) Retire el dispositivo fijo del cepillo inferior y extraiga el cepillo giratorio de la boquilla para suelos.
- 4) Limpie el cepillo giratorio. Si tu cabello está enredado, usa tus dedos para quitarlo.
- 5) Vuelva a colocar el cepillo giratorio en la boquilla y su dispositivo adjunto.
- 6) Gire el tornillo del cepillo a la posición de bloqueo.



1. Baja succión cuando se recibe un producto nuevo.

Solución: verifique que todos los accesorios estén ensamblados correctamente y que la cubierta inferior esté cerrada y bloqueada.

2. Baja succión después de usar unos minutos.

Solución: compruebe si hay un bloque de objetos grandes en el cepillo, el tubo o el contenedor de polvo, se devolverá una alta potencia de succión después de retirarlo.

3. La energía se corta automáticamente después de usarla por un tiempo.

Solución: La aspiradora está equipada con un termostato de motor (protector de motor), cuando el polvo está lleno o el aparato se usa durante mucho tiempo (más de 30 minutos), el motor se sobrecalienta muy rápidamente, la energía se corta automáticamente para proteger el aparato de quemarse. Desenchufe el dispositivo, vacíe el polvo y limpie el filtro y espere que el motor se enfríe (al menos 30~60 minutos) antes de volver a usarlo. Si la aspiradora no vuelve a arrancar busque asistencia técnica autorizada.

4. Baja succión después de usar durante algún tiempo.

Solución: desenchufe la máquina, vacíe el polvo, desmonte el filtro de plástico/HEPA y lávelo con agua, los filtros deben secarse completamente (o usar viento frío con un secador de pelo para secarlos) y luego volver a colocarlos.

5. El cepillo turbo motorizado no funciona o deja de funcionar.

Solución: verifique si el cabello tuerce el rodillo del cepillo, si es así, retire el cabello.


Importante: El cepillo para pisos turbo motorizado solo se puede usar en pisos duros; probablemente dejará de funcionar si se usa en el piso de la alfombra.

Datos técnicos

Características	Modelo: VC-600.047A
Potencia nominal (W)	600W
Tensión nominal (V AC)	220-240V~ 50/60Hz
Capacidad del depósito de polvo (ml)	600ml
Potencia de succión	100W
Flujo de aire	16.73 l/s
Potencia de vacío	18.5 Kpa
Nivel de ruido	≤79.3 dB(A)

Conformidad CE

Este producto ha sido probado y producido de acuerdo con las normativas actuales y pertinentes, tales como:

-  - Directiva de compatibilidad electromagnética 2014/30/EU,
- Directiva de baja tensión Directiva (LVD) 2014/35/EU,
- Directiva RoHS y su modificación EU 2015/863,

y ha sido construido de acuerdo con las últimas normas de seguridad.

La marca CE certifica este producto con todas las directivas relevantes relacionadas.

Disposición – La política ambiental

Embalaje



El material de embalaje es totalmente reciclable, como lo indica el símbolo correspondiente. Para su eliminación, respete las normas locales. No deje el material de embalaje (bolsas de plástico, trozos de poliestireno, etc.) al alcance de los niños; puede ser peligroso.

Eliminación

Este aparato lleva el marcado CE en conformidad con la Directiva 2012/19/EU del Parlamento Europeo y del Consejo sobre residuos de aparatos eléctricos y electrónicos (RAEE).

La correcta eliminación de este producto evita consecuencias negativas para el medioambiente y la salud.



Este símbolo en el producto o en los documentos que acompañan el producto, indica que este aparato no puede ser tratado como residuos domésticos. Es su lugar se debe entregar al punto de recogida para el reciclaje de equipos eléctricos y electrónicos.

Para eliminación debe realizarse de conformidad con las normas medioambientales para eliminación de residuos. Entrégalo a un vertedero autorizado, no lo deje ni siquiera por unos días, ya que es potencialmente peligroso para los niños.

Para obtener información más detallada sobre el tratamiento, recuperación y reciclaje de este producto, póngase en contacto con el ayuntamiento, su servicio de desechos del hogar o la tienda donde adquirió el producto.

Garantía

Términos y condiciones de la garantía

1. El producto está garantizado por el período estipulado por la legislación donde se comercializa, a partir de la fecha de compra, contra defectos de fabricación y/o mano de obra. La falta de conformidad que se manifieste dentro de este plazo, presume que existe en la fecha de compra. Después de este período, corresponde al cliente demostrar que la falta de conformidad ya existía en el momento de la entrega.
2. Si, durante el período de garantía, el producto es defectuoso en uso normal, el comprador debe ponerse en contacto con el establecimiento vendedor y enviar el electrodoméstico al lugar indicado por el vendedor.
3. La garantía solo es válida previa presentación de la factura que acredite la compra y el certificado de garantía completado (indicando la fecha de compra, el nombre del distribuidor, la referencia del modelo, y también se recomienda indicar el número de serie y el número de lote).
4. El importador / vendedor se reserva el derecho de rechazar la asistencia de garantía en caso de que dicha información haya sido eliminada o alterada después de la compra original del producto.
5. La responsabilidad del importador/vendedor incluirá, entre otras cosas, los costes de reparación y/o sustitución de la unidad cubierta por la garantía con la reserva del derecho a sustituirla por un producto equivalente, cuando no sea posible repararla.
6. La garantía no se aplica a problemas que no estén directamente relacionados con defectos de material, diseño o mano de obra.

7. Este producto es un electrodoméstico y está destinado solo para uso doméstico. La garantía se anula si el producto se utiliza con fines profesionales.
8. La garantía no cubre los daños causados por mal uso, instalación inadecuada, derrames, factores externos o daños intencionales.
9. La garantía no cubre los daños resultantes de caídas, uso de fuerza excesiva, golpes, exposición a condiciones ambientales extremas o deterioro causado por el uso normal de piezas de plástico o teclados, así como el uso de baterías distintas a las especificadas en este manual.
10. La garantía no cubre la instalación y programación por parte del distribuidor. En particular, no se aceptará ninguna reclamación de instalación y programación gratuita por parte del revendedor.
11. La garantía no cubre deficiencias que perjudiquen insignificadamente el funcionamiento del aparato. Otros costes, como la instalación, el transporte y el desplazamiento del técnico están expresamente excluidos de la garantía.
12. La aplicabilidad de la garantía presupone que el aparato sea enviado al establecimiento vendedor o al lugar indicado por éste, completo y en un embalaje bien protegido (si es posible en su embalaje original) y acompañado de la respectiva hoja o tarjeta de garantía, debidamente cumplimentado y comprobante de compra.
13. Si después de la verificación, se descubre que no hay razones para la reclamación, o que el producto no es defectuoso, los costos inherentes se imputarán al cliente, y el distribuidor está autorizado a cobrar esos costos al cliente.
14. La garantía quedará anulada cuando presente indicios de que una persona no autorizada ha intentado realizar reparaciones, modificaciones o sustitución de piezas en el aparato.
15. Las reparaciones realizadas una vez finalizado el período de garantía incurren en costes.
16. Esta garantía no afecta a sus derechos legales que pueda tener como consumidor en virtud de la legislación nacional aplicable que rige la compra de productos donde se vende el producto.
17. **Período de garantía:**

Países de la Unión Europea - Las Directivas Europeas (UE) 2019/771 y (UE) 2019/770 se aplican a ciertos aspectos de los contratos de compraventa de bienes muebles y se transponen a las legislaciones nacionales de sus países.

Otros países: se aplica la legislación nacional sobre los derechos de los consumidores en su país. En caso de que no exista legislación oficial, la garantía se aplicará a discreción del importador que introduzca el producto en el mercado o del establecimiento vendedor.

Français

Cher Client

Merci d'avoir choisi un produit HÆGER.

Les produits HÆGER sont conçus pour le bien-être du consommateur, en insistant sur les plus hauts standards de qualité, de fonctionnalité et de design. Nous sommes certains de leur satisfaction à l'achat de ce produit.

Nous supposons que l'utilisateur détient des connaissances générales sur l'emploi des appareils électroménagers.

Avant la première mise en service, lisez attentivement le présent mode d'emploi et les instructions de sécurité et familiarisez-vous avec les fonctions de l'appareil. Conservez le présent mode d'emploi et le cas échéant, transmettez-le à des tiers.

Conseils généraux de sécurité

Lorsque vous utilisez cet appareil ou tout autre appareil électrique, respectez toujours les précautions de sécurité élémentaires :



LISEZ TOUTES LES INSTRUCTIONS AVANT L'UTILISATION

- **Cet appareil peut être utilisé par les enfants de 8 ans et plus et les personnes atteintes de handicap mental, physique ou sensoriel ou les personnes qui manquent d'expérience ou de connaissances s'ils sont supervisés ou s'ils ont reçu des instructions à propos de l'utilisation de l'appareil d'une manière sûre et s'ils en comprennent les dangers.**
- **Les enfants ne doivent pas jouer avec l'appareil.**
- **Le nettoyage et l'entretien par l'utilisateur ne peuvent pas être effectués par les enfants à moins qu'ils soient âgés de plus de 8 ans et supervisés.**
- **Conservez l'appareil et son cordon hors de portée des enfants de moins de 8 ans.**
- **L'appareil ne doit pas être utilisé après une chute, des dommages visibles ou des fuites.**

- Si le câble de secteur de cet appareil devait être endommagé, il doit être remplacé par le fabricant, le service clientèle du fabricant ou un spécialiste qualifié similaire, afin d'éviter tout risque.
- Cet appareil est destiné exclusivement à l'emploi domestique et non à l'usage industriel. Il doit être utilisé exclusivement selon les indications figurant dans cette notice d'utilisation. Le fabricant n'est pas responsable d'éventuels dommages résultant d'un emploi non conforme ou d'un maniement incorrect.
- Cet aspirateur n'est adapté que pour les surfaces sèches. L'appareil n'est pas adapté pour la mousse, l'eau, les substances inflammables ou explosives ni d'autres liquides.
- N'utilisez pas l'aspirateur pour aspirer des objets pointus ou des bris de verre. Ne jamais aspirer des allumettes enflammées, des cendres incandescentes ni des mégots.
- **N'utilisez pas l'aspirateur pour aspirer des produits chimiques, de la poussière de pierre, du plâtre, du ciment ou d'autres particules comparables.**
- **ATTENTION : Ne pas utiliser cet aspirateur pour aspirer des gravats de chantier (ciment, poussière de briques, déblais, etc.). Ce type de particules colmatent rapidement les pores du sac ce qui conduit à une surchauffe de l'appareil.**
- Veillez obligatoirement à ne pas ranger l'aspirateur près de radiateurs, de fours ou d'autres surfaces ou appareils chauds. La chaleur peut déformer et décolorer les pièces en plastique de l'appareil.
- Veillez toujours à ce que les fentes d'aération soient libres. Un circuit d'aération bouché peut entraîner un surréchauffement et un endommagement de l'appareil.
- Débranchez toujours la fiche de la prise de courant lorsque l'appareil n'est pas en usage.
- L'appareil n'est pas destiné à être utilisé au moyen d'une minuterie externe ou d'un système de télécommande séparé.
- N'utilisez jamais d'alcool ou d'autres solvants pour nettoyer l'appareil.
- Ne laissez jamais l'appareil sans surveillance lorsqu'il est allumé. Gardez l'appareil hors de la portée des enfants et des personnes handicapées.
- N'allumez pas l'appareil s'il semble être défectueux de quelque manière que ce soit.
- Envoyez les appareils défectueux aux SAV correspondants ou faites procéder aux réparations par un atelier spécialisé uniquement. N'ouvrez jamais vous-même l'appareil. Toutes interventions non réalisées par un SAV agréé peuvent entraîner des dangers pour votre santé.
- En cas de non-respect du présent mode d'emploi ainsi qu'en cas de dommages résultant d'un traitement inadéquat (utilisation erronée, dégâts d'eau, chutes

etc..), d'interventions extérieures, de modifications techniques au niveau de l'appareil ou des pièces de rechange, la garantie devient caduque.

- **Assurez-vous, avant de mettre l'appareil en marche, que la tension mentionnée dans les données techniques corresponde bien à la tension du secteur.**

Description des éléments de commande

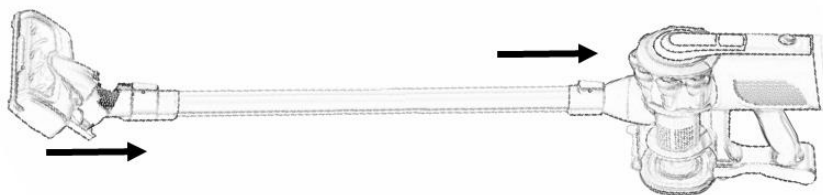
- | | |
|---|----------------------------|
| 1. Brosse motorisée | 2. Support mural |
| 3. Buse longue | 4. Buse de canapé |
| 5. Tube en aluminium | 6. Filtre multi cyclonique |
| 7. Bac à poussière | 8. Poignée |
| 9. Panneau de sortie du vent | 10. Bouton ON/OFF |
| 11. Bouton de déverrouillage du bac à poussière | 12. Brosse pour animaux |

Avant la première utilisation

1. Retirez l'aspirateur de son emballage.
2. Retirez l'emballage et vérifiez que le bac à poussière et le filtre de sécurité sont correctement installés.
3. Nettoyez-le avec un chiffon doux et humide et séchez-le soigneusement. N'immergez pas l'aspirateur sans fil dans de l'eau ou tout autre liquide.

Assemblage de l'aspirateur

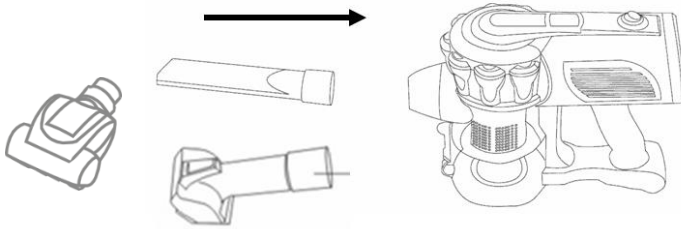
Utilisez le tube d'extension



- S'il y a des zones difficiles à atteindre ou étroites, le tube de rallonge est idéal.
- Le tube d'extension doit être monté en position sur l'entrée d'air, suivi de l'accessoire de nettoyage requis
- Fixez le tube sur l'entrée d'air du corps principal jusqu'à ce qu'il se bloque. Si vous devez retirer le tube, tenez le corps principal, appuyez sur le bouton de dégagement et retirez le tube.

Utilisation d'une buse longue, d'une buse de canapé ou d'une brosse pour animaux de compagnie

- Placez la brosse longue sur l'entrée d'air du corps principal jusqu'à ce qu'il se mette en place avec un déclic. Allumez l'aspirateur en appuyant sur le bouton " ON/OFF " pour l'utiliser.



- **REMARQUE** : la brosse longue est idéale pour éliminer la poussière et la saleté des plis dans les escaliers en tissu, dans les coins et les crevasses gênantes.

Comment utiliser

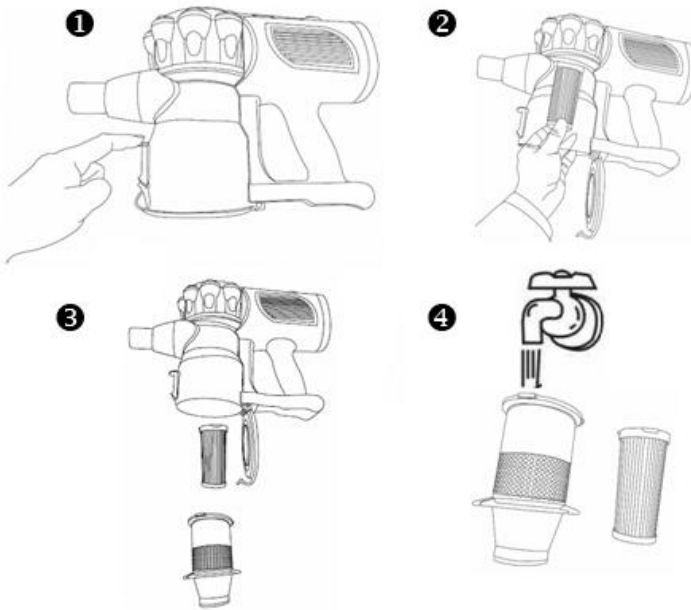
1. Assurez-vous que le filtre est correctement installé.
2. Assurez-vous que l'interrupteur MARCHE/ARRÊT est en position ARRÊT (éteint).
3. Choisissez si vous souhaitez utiliser l'appareil avec ou sans la rallonge.
4. Insérez la fiche d'alimentation dans la prise de courant.
5. Appuyez sur l'interrupteur MARCHE/ARRÊT.
6. Guidez la buse sur la surface à nettoyer, vérifiez si le niveau de remplissage maximal du récipient collecteur est atteint. Si c'est le cas, il faut le vider.
7. Après utilisation, poussez à nouveau l'interrupteur marche/arrêt vers le bas et débranchez l'appareil.

Entretien et maintenance

Vider le bac à poussière

Le bac à poussière est totalement visible et donc lorsqu'il atteint la première ligne des trous du filtre en plastique, il doit être nettoyé.

1. Éteignez l'aspirateur en appuyant sur le bouton marche/arrêt (ON/OFF) pour arrêter.
2. Débranchez l'aspirateur du secteur.
3. Retirez le bac à poussière en appuyant sur le bouton de dégagement du bac à poussière et retirez-le du corps principal. (1)
4. Tournez le filtre en plastique et retirez-le, puis retirez le filtre HEPA et videz la saleté à l'intérieur. Secouez doucement le bac à poussière pour enlever toute poussière restante. (2)(3)
5. Nettoyez le filtre à l'eau froide et laissez-le sécher complètement pendant au moins 6 heures en plein soleil. (4)
6. Remettez le filtre dans le bac à poussière et insérez le bac à poussière dans le corps principal jusqu'à ce qu'il se verrouille en place.



- **Remarque:** ne nettoyez pas le filtre avec un détergent.
- **Remarque:** N'utilisez pas de sources de chaleur externes telles qu'un radiateur pour sécher le filtre.
- **À faire Assurez-vous** toujours que le bac à poussière, le filtre et la partie cyclone sont maintenus propres et régulièrement entretenus pour prolonger la durée de vie de l'aspirateur.
- N'utilisez pas l'aspirateur pour aspirer des liquides inflammables, des allumettes, des mégots de cigarettes, des cendres chaudes ou tout autre objet brûlant ou fumant.
- N'utilisez pas l'aspirateur pour aspirer de l'eau ou tout autre liquide, car cela présente un risque d'électrocution.
- Ne lavez pas l'appareil ou ses pièces au lave-vaisselle.



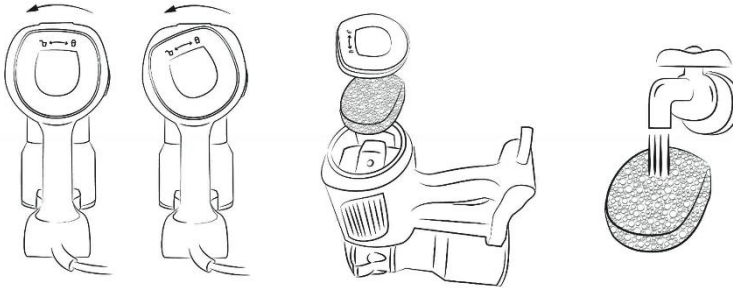
Avertissement: N'utilisez pas l'aspirateur si le filtre amovible ou le bac à poussière n'est pas en place.



Avertissement: Ce produit est équipé d'un coupe-circuit thermique qui s'active si le moteur surchauffe en raison de bouches d'admission d'air. Si l'appareil s'arrête, laissez-le refroidir pendant 1 heure, puis videz le bac à poussière et nettoyez tous les filtres.

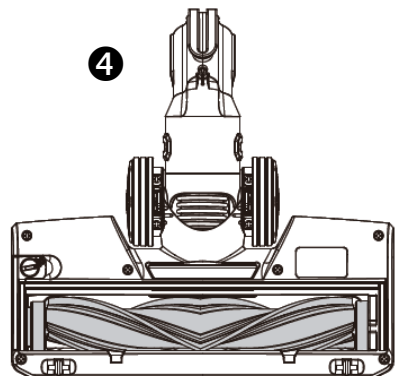
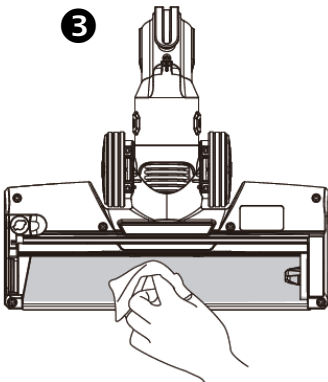
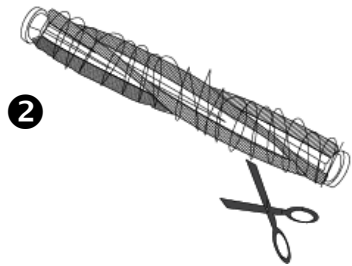
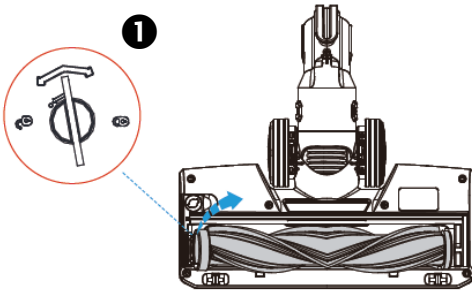
RANGEMENT : Avant de ranger l'aspirateur sur l'accessoire de montage mural, assurez-vous qu'il est propre et que toutes les pièces sont complètement sèches.

Filtre de sortie d'air (Filtre moteur) - il est conseillé de le laver chaque semaine et de le changer au moins une fois tous les 3 ans. Il a été fixé à l'arrière de la machine, il suffit de tourner le couvercle, puis de le retirer pour le laver ou le remplacer.



Nettoyage des brosses rotatives

- 1) Tournez la brosse sol.
- 2) Tournez la vis de la brosse inférieure en position déverrouillée (voir figure).
- 3) Retirez le dispositif fixe de la brosse inférieure et retirez la brosse rotative de la brosse sol.
- 4) Nettoyez la brosse rotative. Si vos cheveux sont emmêlés, utilisez vos doigts pour les enlever.
- 5) Remplacez la brosse rotative sur la brosse sol et son dispositif attaché.
- 6) Tournez la vis de la brosse en position verrouillée.



Résolution des problèmes

1. Faible aspiration lors de la réception d'un nouveau produit.

Solution : Veuillez vérifier si tous les accessoires sont correctement assemblés et si le capot inférieur a été fermé et verrouillé.

2. Faible aspiration après quelques minutes d'utilisation.

Solution : veuillez vérifier s'il y a un gros bloc d'objet dans la brosse, le tube ou le bac à poussière, il sera renvoyé une puissance d'aspiration élevée après avoir été retiré.

3. L'alimentation est coupée automatiquement après un certain temps d'utilisation.

Solution : l'aspirateur est équipé d'un thermostat de moteur (protecteur de moteur), lorsque la poussière est pleine ou que l'appareil est utilisé pendant une longue période (plus de 30 minutes), le moteur surchauffe très rapidement, l'alimentation est coupée automatiquement pour protéger l'appareil contre les brûlures. . Veuillez débrancher l'appareil, vider la poussière et nettoyer le filtre et attendre que le moteur refroidisse (au moins 30 à 60 minutes) avant de l'utiliser à nouveau. Si l'aspirateur ne redémarre pas, contactez l'assistance technique agréée.

4. Faible aspiration après utilisation pendant un certain temps.

Solution : veuillez débrancher la machine, vider la poussière, démonter le filtre en plastique/HEPA et laver à l'eau, les filtres doivent être complètement séchés (ou en utilisant un vent frais avec un sèche-cheveux pour sécher) puis remis en place.

5. La brosse turbo motorisée ne fonctionne pas ou s'arrête de fonctionner.

Solution : veuillez vérifier si les cheveux tordent le rouleau de la brosse, si c'est le cas, retirez les cheveux.

Important : La brosse à sol turbo motorisée ne peut être utilisée que sur un sol dur ; il cessera probablement de fonctionner s'il est utilisé sur de la moquette.

Données techniques

Caractéristiques	Modèle : VC-600.047A
Puissance nominale (W)	600W
Tension nominale (V AC)	220-240V~ 50/60Hz
Capacité du bac à poussière (ml)	600ml
Puissance de succion	100W
Flux d'air	16.73 l/s
Puissance de vide	18.5 Kpa
Nivèlè de bruit	≤79.3 dB(A)

Conformité CE

Ce produit a été testé et produit selon toutes les directives européennes actuelles applicables, tels que :



- La compatibilité électromagnétique Directive 2014/30/EU,
- Directive Basse Tension Directive (LVD) 2014/35/EU,
- Directive RoHS avec ses modifications EU 2015/863,

et a été construit en conformité avec les dernières normes de sécurité.

Le marquage CE atteste ce produit à toutes les directives relevant.

Élimination – La politique environnementale

Emballage



L'emballage est entièrement recyclable et porte le symbole du recyclage. Pour la mise au rebut, suivez les réglementations locales en vigueur. Les matériaux d'emballage (sachets en plastique, éléments en polystyrène, etc.) doivent être tenus hors de portée des enfants, car ils constituent une source potentielle de danger.

Mise au rebut

Cet appareil porte le symbole du recyclage conformément à la Directive Européenne 2012/19/EU concernant les Déchets d'Équipements Électriques et Électroniques (DEEE ou WEEE).

En procédant correctement à la mise au rebut de cet appareil, vous contribuerez à empêcher toute conséquence nuisible pour l'environnement et la santé de l'homme.



Ce symbole présent sur l'appareil ou sur la documentation qui l'accompagne indique que ce produit ne peut en aucun cas être traité comme déchet ménager. Il doit plutôt être remis au point de collecte approprié pour le recyclage des équipements électriques et électroniques.

L'élimination doit être effectuée conformément aux règlements environnementaux locaux pour l'élimination des déchets. Pour des informations plus détaillées sur le traitement, la récupération et le recyclage de ce produit, s'il vous plaît contacter votre bureau compétent de votre commune, votre service d'élimination des déchets ménagers ou directement à votre revendeur où vous avez acheté le produit.

Garantie

Termes et conditions de la garantie

1. Le produit est garanti pour la période stipulée par la législation où il est mis sur le marché, à compter de la date d'achat, contre les défauts de fabrication et/ou de main d'œuvre. Le défaut de conformité manifesté dans ce délai est présumé exister à la date d'achat. Passé ce délai, il appartient au client de prouver que le défaut de conformité existait déjà au moment de la livraison.
2. Si, pendant la période de garantie, le produit est défectueux en utilisation normale, l'acheteur doit contacter l'établissement de vente et envoyer l'appareil à l'endroit indiqué par le vendeur.
3. La garantie n'est valable que sur présentation de la facture prouvant l'achat et du certificat de garantie complété (indiquant la date d'achat, le nom du revendeur, la référence du modèle, et il est également recommandé d'indiquer le numéro de série et le numéro de lot).

4. L'importateur/vendeur se réserve le droit de refuser l'assistance de garantie dans le cas où ces informations ont été supprimées ou modifiées après l'achat initial du produit.
5. La responsabilité de l'importateur/vendeur comprend, entre autres, les frais de réparation et/ou de remplacement de l'unité couverte par la garantie avec la réserve du droit de la remplacer par un produit équivalent, lorsqu'il n'est pas possible de la réparer.
6. La garantie ne s'applique pas aux problèmes qui ne sont pas directement liés à des défauts de matériau, de conception ou de fabrication.
7. Ce produit est un appareil et est destiné à un usage domestique uniquement. La garantie expirera si le produit est utilisé à des fins professionnelles.
8. La garantie ne couvre pas les dommages causés par une mauvaise utilisation, une mauvaise installation, un déversement, des facteurs externes ou des dommages intentionnels.
9. La garantie ne couvre pas les dommages résultant de chutes, de l'utilisation d'une force excessive, des coups, de l'exposition à des conditions environnementales extrêmes ou de la détérioration causée par l'utilisation normale de pièces en plastique ou de claviers, ainsi que l'utilisation de batteries autres que celles spécifiées dans ce manuel.
10. La garantie ne couvre pas l'installation et la programmation par le concessionnaire. En particulier, aucune réclamation pour l'installation et la programmation gratuite par le revendeur ne peut être acceptée.
11. La garantie ne couvre pas les défauts qui nuisent de manière insignifiante au fonctionnement de l'appareil. Les autres frais, tels que l'installation, le transport et le déplacement du technicien sont expressément exclus de la garantie.
12. L'applicabilité de la garantie suppose que l'appareil soit envoyé à l'établissement du vendeur ou à l'endroit indiqué par celui-ci, complet et dans un emballage bien protégé (si possible dans son emballage d'origine) et accompagné de la feuille ou de la carte de garantie respective, dûment rempli et d'une preuve d'achat.
13. Si, après vérification, il s'avère qu'il n'y a aucune raison pour la réclamation, ou que le produit n'est pas défectueux, les coûts inhérents seront imputés au client, et le revendeur est autorisé à facturer ces coûts au client.
14. La garantie sera annulée lorsqu'elle montre des signes qu'une personne non autorisée a tenté d'effectuer des réparations, des modifications ou le remplacement de pièces sur l'appareil.
15. Les réparations effectuées après la fin de la période de garantie sont soumises à des frais.
16. Cette garantie n'affecte pas vos droits légaux que vous pouvez avoir en tant que consommateur en vertu de la législation nationale applicable régissant l'achat de produits lorsque le produit est vendu.

17. Période de garantie :

Pays de l'Union Européenne - Les directives européennes (UE) 2019/771 et (UE) 2019/770 s'appliquent à certains aspects des contrats d'achat et de vente de biens meubles et transposées dans les législations nationales de leurs pays.

Autres pays - la législation nationale sur les droits des consommateurs dans leur pays s'applique. En l'absence de législation officielle, la garantie est appliquée à la discrétion de l'importateur qui met le produit sur le marché ou de l'établissement du vendeur.

Ελληνικά

Αγαπητέ πελάτη

Σας ευχαριστούμε που επιλέξατε ένα προϊόν HÆGER.

Τα προϊόντα HÆGER έχουν δημιουργηθεί για να σκέφτονται την ευημερία του καταναλωτή που προτιμούν υψηλά πρότυπα ποιότητας, λειτουργικότητας και ανάρθεσης. Είμαστε σίγουροι ότι θα είστε ευχαριστημένοι με αυτήν τη συσκευή.

Υποθέτουμε ότι ο χρήστης είναι εξοικειωμένος με τις συνήθεις διαδικασίες χειρισμού οικιακών συσκευών.

Πριν χρησιμοποιήσετε τη συσκευή για πρώτη φορά, διαβάστε προσεκτικά και διεξοδικά αυτές τις οδηγίες λειτουργίας και τις συμβουλές ασφαλείας, εξοικειώνοντας πλήρως τη συσκευή. Κρατήστε αυτές τις οδηγίες για μελλοντική αναφορά και διαβιβάστε τις σε όποιον μπορεί να χρησιμοποιήσει τη συσκευή σε μελλοντική ημερομηνία.

Γενικές οδηγίες ασφαλείας

Όταν χρησιμοποιείτε αυτήν ή οποιαδήποτε άλλη ηλεκτρική συσκευή, ακολουθείτε πάντα αυτές τις βασικές προφυλάξεις ασφαλείας.



ΔΙΑΒΑΣΤΕ ΟΛΕΣ ΤΙΣ ΟΔΗΓΙΕΣ ΠΡΙΝ ΤΗΝ ΧΡΗΣΗ

- Αυτή η συσκευή μπορεί να χρησιμοποιηθεί από παιδιά ηλικίας από 8 ετών και άνω και άτομα με μειωμένες σωματικές, αισθητηριακές ή διανοητικές ικανότητες ή έλλειψη εμπειρίας και γνώσης, εάν έχουν λάβει επίβλεψη ή οδηγίες σχετικά με τη χρήση της συσκευής με ασφαλή τρόπο και κατανοούν κινδύνους που εμπλέκονται.
- Τα παιδιά δεν πρέπει να παίζουν με τη συσκευή.
- Ο καθαρισμός και η συντήρηση της συσκευής δεν πρέπει να πραγματοποιούνται από παιδιά, εκτός εάν είναι μεγαλύτερα των 8 ετών και υπό επίβλεψη.
- Κρατήστε τη συσκευή και το καλώδιο της συσκευής μακριά από παιδιά κάτω των 8 ετών.
- Η συσκευή δεν πρέπει να χρησιμοποιείται μετά την πτώση ή όταν εμφανίζει ορατή ζημιά ή εάν έχει διαρροή.
- Εάν το καλώδιο της συσκευής καταστραφεί, πρέπει να αντικατασταθεί από τον κατασκευαστή, το τμήμα εξυπηρέτησης πελατών του κατασκευαστή ή έναν εξειδικευμένο ειδικό, προκειμένου να αποφευχθούν τυχόν κίνδυνοι.
- Αυτή η συσκευή έχει σχεδιαστεί αποκλειστικά για οικιακή χρήση. Πρέπει να χρησιμοποιείται μόνο σύμφωνα με αυτές τις οδηγίες. Ο κατασκευαστής δεν

θα φέρει καμία ευθύνη για τυχόν ζημιές που προκαλούνται από ακατάλληλη χρήση ή εσφαλμένη λειτουργία.

- Αυτή η ηλεκτρική σκούπα προορίζεται μόνο για χρήση σε στεγνές επιφάνειες. Η ηλεκτρική σκούπα δεν προορίζεται για χρήση σε αφρό, νερό, εύφλεκτα ή εκρηκτικά υλικά ή άλλα υγρά.
- Μη χρησιμοποιείτε την ηλεκτρική σκούπα για να ρουφάτε αιχμηρά αντικείμενα ή κομμάτια γυαλιού. Μην ρουφάτε ποτέ σπύρτα που καίνε, στάχτη που λάμπει ή άκρες τσιγάρων.
- **Μη χρησιμοποιείτε την ηλεκτρική σκούπα για την αναρρόφηση προϊόντων που περιέχουν χημικά, σκόνη, γύψο, τσιμέντο ή παρόμοια σωματίδια.**
- **ΠΡΟΣΟΧΗ: Μη χρησιμοποιείτε την ηλεκτρική σκούπα για να απορροφήσετε απορρίμματα κτιρίων (τσιμέντο, σκόνη από τούβλα, μπάζα κ.λπ.). Αυτοί οι τύποι σωματιδίων φράζουν γρήγορα τους πόρους στο φίλτρο σκόνης προκαλώντας υπερθέρμανση της συσκευής.**
- Βεβαιωθείτε ότι η ηλεκτρική σκούπα δεν είναι τοποθετημένη κοντά σε καλοριφέρ, φούρνους ή άλλο εξοπλισμό θέρμανσης ή θερμαινόμενες επιφάνειες. Η θερμότητα μπορεί να παραμορφώσει και να αποχρωματίσει τα πλαστικά μέρη της μονάδας.
- Βεβαιωθείτε πάντοτε ότι οι σχισμές εξαερισμού διατηρούνται χωρίς εμπόδια. Η παρεμπόδιση της κυκλοφορίας του αέρα μπορεί να οδηγήσει σε υπερθέρμανση και βλάβη στην ηλεκτρική σκούπα.
- Αφαιρείτε πάντα το φιλ από την πρίζα όταν η συσκευή δεν φορτίζεται.
- Η συσκευή δεν προορίζεται για λειτουργία μέσω εξωτερικού χρονοδιακόπτη ή χωριστού συστήματος τηλεχειρισμού.
- Ποτέ μην χρησιμοποιείτε οινόπνευματώδη ποτά ή άλλους διαλύτες για να καθαρίσετε τη συσκευή.
- Μην αφήνετε ποτέ τη συσκευή χωρίς επίβλεψη όταν είναι ενεργοποιημένη. Κρατήστε τη συσκευή μακριά από παιδιά ή ασθενείς.
- Μην ενεργοποιείτε τη συσκευή εάν φαίνεται ότι είναι ελαττωματική με οποιονδήποτε τρόπο.
- Εάν η ηλεκτρική σκούπα σας είναι ελαττωματική, στείλτε την στο κατάλληλο κέντρο σέρβις ή επισκευάστε την σε συνεργείο επισκευής ηλεκτρικού εξοπλισμού. Σε καμία περίπτωση μην ανοίξετε μόνοι σας την ηλεκτρική σκούπα. Οι εργασίες για την ηλεκτρική σκούπα σας που εκτελούνται από μη εξουσιοδοτημένα κέντρα σέρβις θα μπορούσαν να θέσουν σε κίνδυνο την υγεία σας.

- Τα δικαιώματα που απορρέουν από την εγγύηση χάνονται εάν δεν τηρηθούν αυτές οι οδηγίες λειτουργίας. Η εγγύηση δεν καλύπτει μέρη φθοράς ή ζημιές που προκύπτουν από ακατάλληλη χρήση (λανθασμένη λειτουργία, νερό, πτώση κ.λπ.), εργασίες στην ηλεκτρική σκούπα που εκτελούνται από τρίτους ή τεχνικές τροποποιήσεις της ηλεκτρικής σκούπας.
- **Πριν ενεργοποιήσετε την ηλεκτρική σκούπα, βεβαιωθείτε ότι η τάση δικτύου είναι η ίδια με αυτήν που εμφανίζεται στις τεχνικές λεπτομέρειες.**

Περιγραφή συσκευής

- | | |
|---|------------------------------|
| 1. Μηχανοκίνητη βούρτσα | 2. Βάση τοίχου |
| 3. Μακρύ ακροφύσιο | 4. Ακροφύσιο καναπέ |
| 5. Σωλήνας αλουμινίου | 6. Φίλτρο πολλαπλών κυκλώνων |
| 7. Δοχείο σκόνης | 8. Λαβή |
| 9. Πλακέτα εξόδου ανέμου | 10. Κουμπί ON/OFF |
| 11. Κουμπί απελευθέρωσης δοχείου σκόνης | 12. Βούρτσα για κατοικίδια |

Πριν τη χρήση για πρώτη φορά

1. Βγάλτε την ηλεκτρική σκούπα από τη συσκευασία.
2. Αφαιρέστε τη συσκευασία και βεβαιωθείτε ότι ο κάδος σκόνης και το φίλτρο ασφαλείας έχουν τοποθετηθεί σωστά.
3. Καθαρίστε το με ένα μαλακό, υγρό πανί και στεγνώστε καλά. Μην βυθίζετε την ηλεκτρική σκούπα σε νερό ή οποιοδήποτε άλλο υγρό.

Συναρμολόγηση της ηλεκτρικής σκούπας

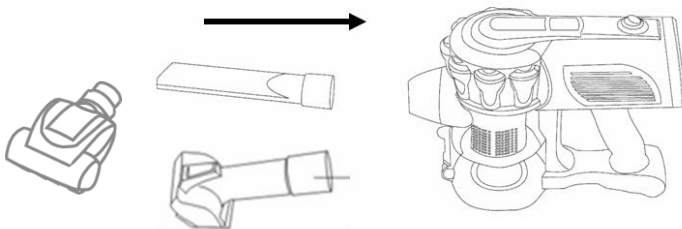
Χρήση του σωλήνα επέκτασης



- Εάν υπάρχουν δυσπρόσιτες ή στενές περιοχές, τότε ο σωλήνας επέκτασης είναι ιδανικός.
- Ο σωλήνας επέκτασης πρέπει να τοποθετηθεί στη θέση του στην είσοδο αέρα, ακολουθούμενο από το απαιτούμενο εξάρτημα καθαρισμού.
- Τοποθετήστε το σωλήνα στην είσοδο αέρα του κύριου σώματος μέχρι να ασφαλίσει στη θέση του. Εάν χρειάζεται να αφαιρέσετε το σωλήνα, κρατήστε το κύριο σώμα, πιέστε το κουμπί απελευθέρωσης και αφαιρέστε το σωλήνα.

Χρησιμοποιώντας μακρύ ακροφύσιο, ακροφύσιο καναπέ ή βούρτσα για ζώα συντροφιάς

- Στερεώστε το ακροφύσιο ή τη βούρτσα σπρώχνοντάς το στο άνοιγμα αναρρόφησης όπως φαίνεται παρακάτω. Ενεργοποιήστε την ηλεκτρική σκούπα πατώντας το κουμπί «On/Off» για να ξεκινήσετε τη χρήση.



- **ΣΗΜΕΙΩΣΗ:** το μακρύ πινέλο είναι ιδανικό για την αφαίρεση σκόνης και βρωμιάς από πτυχές σε υφασμάτινες σκάλες, σε γωνίες και δύσκολες σχισμές.

Τρόπος χρήσης

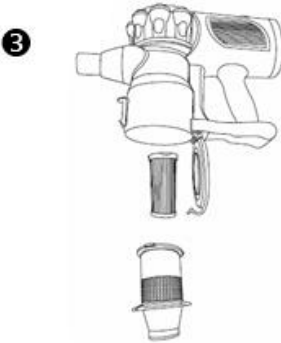
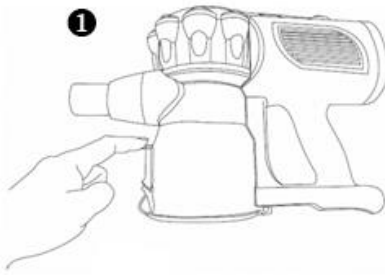
1. Βεβαιωθείτε ότι το φίλτρο έχει εγκατασταθεί σωστά.
2. Βεβαιωθείτε ότι ο διακόπτης ON/OFF είναι στη θέση OFF (απενεργοποιημένος).
3. Επιλέξτε εάν θέλετε να χρησιμοποιήσετε τη συσκευή με ή χωρίς το εξάρτημα επέκτασης.
4. Συνδέστε το βύσμα ρεύματος στην πρίζα.
5. Πιέστε το διακόπτη ON/OFF.
6. Οδηγήστε το ακροφύσιο πάνω από την επιφάνεια που θέλετε να καθαρίσετε, ελέγξτε εάν έχει επιτευχθεί το μέγιστο επίπεδο πλήρωσης στο δοχείο συλλογής. Εάν συμβαίνει αυτό, πρέπει να αδειάσει.
7. Μετά τη χρήση, πιέστε ξανά το διακόπτη ON/OFF προς τα κάτω και αποσυνδέστε τη συσκευή από την πρίζα.

Φροντίδα και Συντήρηση

Άδειασμα του κάδου σκόνης

Το δοχείο σκόνης είναι εντελώς ορατό και επομένως όταν φτάσει στην πρώτη γραμμή των πλαστικών οπών του φίλτρου, πρέπει να καθαριστεί..

1. Απενεργοποιήστε την ηλεκτρική σκούπα πατώντας το κουμπί «on/off» για να σταματήσει ο κινητήρας.
2. Αποσυνδέστε την ηλεκτρική σκούπα από την παροχή ρεύματος.
3. Αφαιρέστε το δοχείο σκόνης πατώντας το κουμπί απελευθέρωσης του δοχείου σκόνης και αφαιρέστε το από το κύριο σώμα. (1)
4. Γυρίστε το πλαστικό φίλτρο και αφαιρέστε το και μετά βγάλτε το φίλτρο HEPA και αδειάστε τη βρωμιά μέσα. Ανακινήστε απαλά το δοχείο σκόνης για να αφαιρέσετε τυχόν υπολειπόμενη σκόνη. (2)(3)
5. Καθαρίστε το φίλτρο σε κρύο νερό και αφήστε το να στεγνώσει τελείως για τουλάχιστον 6 ώρες στο άμεσο ηλιακό φως. (4)
6. Τοποθετήστε το φίλτρο πίσω στο δοχείο σκόνης και τοποθετήστε το δοχείο σκόνης στο κύριο σώμα μέχρι να ασφαλίσει ξανά στη θέση του.



- **Σημείωση:** Μην καθαρίζετε το φίλτρο με απορρυπαντικό.
- **Σημείωση:** Μη χρησιμοποιείτε εξωτερικές πηγές θερμότητας, όπως καλοριφέρ για να στεγνώσετε το φίλτρο.
- Βεβαιωθείτε ότι ο κάδος σκόνης, το φίλτρο και το τμήμα του κυκλώνα διατηρούνται καθαρά και συντηρούνται τακτικά για να παρατείνεται η διάρκεια ζωής της ηλεκτρικής σκούπας.
- Μη χρησιμοποιείτε την ηλεκτρική σκούπα για να μαζεύετε εύφλεκτα υγρά, σπύρα, άκρες τσιγάρων. Καυτή στάχτη ή οποιαδήποτε καυτά αντικείμενα που καίγονται ή καπνίζουν.
- Μη χρησιμοποιείτε την ηλεκτρική σκούπα για να συλλέξετε νερό ή οποιοδήποτε άλλο υγρό, καθώς αυτό ενέχει κίνδυνο ηλεκτροπληξίας.
- Μην πλένετε τη συσκευή ή τα μέρη της στο πλυντήριο πιάτων.



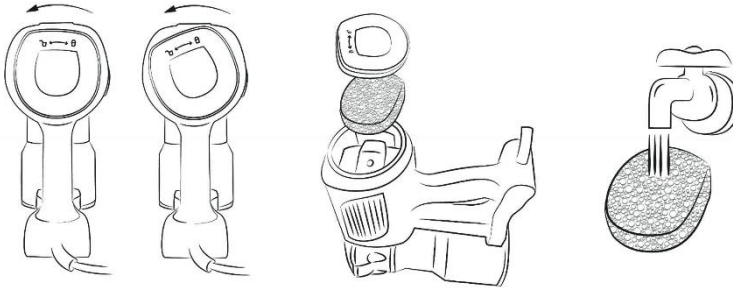
Προειδοποίηση: Μη χρησιμοποιείτε την ηλεκτρική σκούπα χωρίς το αφαιρούμενο φίλτρο ή τον κάδο σκόνης να μην είναι στη θέση τους.



Προειδοποίηση: Αυτό το προϊόν είναι εξοπλισμένο με θερμική διακοπή, η οποία θα ενεργοποιηθεί εάν ο κινητήρας υπερθερμανθεί λόγω φραγμένων εισαγωγών αέρα. Εάν η συσκευή διακοπεί, αφήστε τη να κρυώσει για 1 ώρα και, στη συνέχεια, αδειάστε τη σκόνη από το δοχείο και καθαρίστε όλα τα φίλτρα.

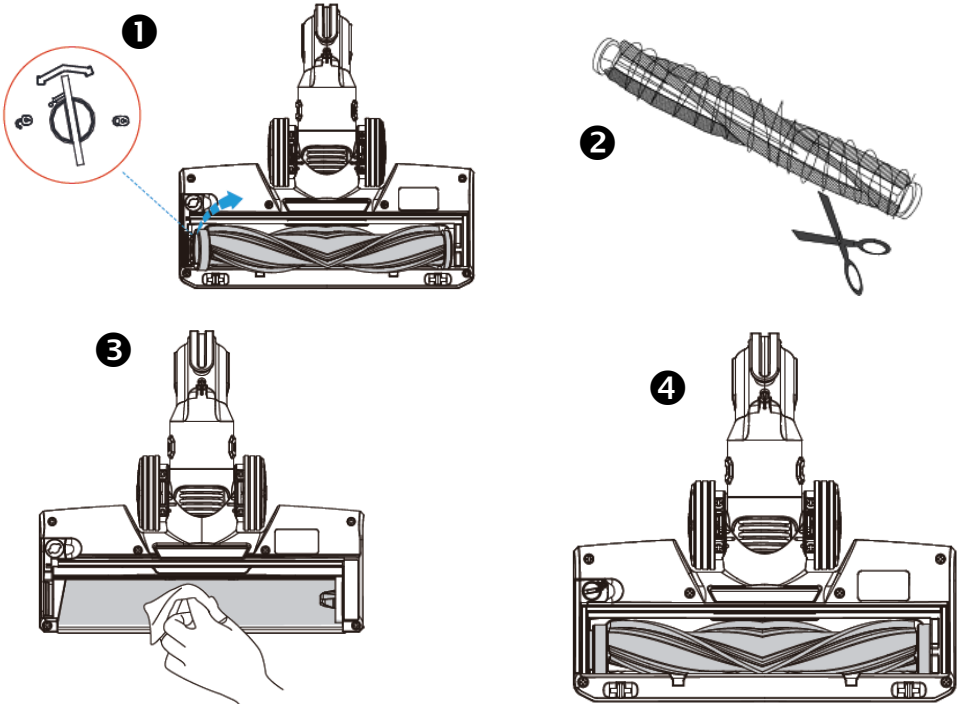
ΑΠΟΘΗΚΕΥΣΗ: Πριν αποθηκεύσετε την ηλεκτρική σκούπα σε αξεσουάρ επιτοίχιας βάσης, βεβαιωθείτε ότι είναι καθαρή και ότι όλα τα εξαρτήματα έχουν στεγνώσει πλήρως.

Φίλτρο εξόδου ανέμου (φίλτρο κινητήρα) - συνιστάται να πλένεται κάθε εβδομάδα και να αλλάζεται τουλάχιστον μία φορά 3 χρόνια. Στερεώθηκε στο πίσω μέρος του μηχανήματος, γυρίστε μόνο το κάλυμμα και μετά βγάλτε το για πλύσιμο ή αντικατάσταση.



Καθαρισμός περιστρεφόμενης βούρτσας

- 1) Γυρίστε το πάτωμα ανάποδα.
- 2) Γυρίστε την κάτω βίδα της βούρτσας για να ξεκλειδώσετε τη θέση (δείτε την εικόνα).
- 3) Ανοίξτε τη σταθερή συσκευή της βούρτσας και αφαιρέστε την περιστρεφόμενη βούρτσα από την κεφαλή του δαπέδου.
- 4) Καθαρίστε την περιστρεφόμενη βούρτσα. Για παράδειγμα, έχουν πιαστεί μαλλιά, χρησιμοποιήστε το δικό σας δάχτυλο για να τα τραβήξουν.
- 5) Τοποθετήστε ξανά την περιστρεφόμενη βούρτσα στην κεφαλή δαπέδου και σταθερή συσκευή στο κάτω μέρος της βούρτσας.
- 6) Γυρίστε την κάτω βίδα της βούρτσας στη θέση ασφάλισης.



Αντιμετώπιση προβλημάτων

1. Χαμηλή αναρρόφηση κατά την παραλαβή του νέου προϊόντος.

Λύση: Ελέγξτε εάν όλα τα εξαρτήματα είναι σωστά συναρμολογημένα και το κάτω κάλυμμα ήταν κλειστό και κλειδωμένο.

2. Χαμηλή αναρρόφηση μετά από λίγα λεπτά χρήσης.

Λύση: Ελέγξτε εάν υπάρχει μπλοκ μεγάλου αντικειμένου στη βούρτσα, το σωλήνα ή το δοχείο σκόνης, θα επιστραφεί υψηλή ισχύς αναρρόφησης αφού αφαιρεθεί.

3. Το ρεύμα διακόπτεται αυτόματα μετά από λίγο χρόνο χρήσης.

Λύση: Το μηχάνημα ήταν εξοπλισμένο με θερμοστάτη κινητήρα (προστάτης κινητήρα), όταν η σκόνη είναι πλήρης ή πολύ καιρό χρησιμοποιείται (περισσότερο από 30 λεπτά), ο κινητήρας υπερθερμάνθηκε πολύ γρήγορα, η τροφοδοσία θα διακοπεί αυτόματα για να προστατεύσει το μηχάνημα από το κάψιμο. Αποσυνδέστε το μηχάνημα, αδειάστε τη σκόνη και καθαρίστε το φίλτρο και περιμένετε να κρυώσει ο κινητήρας (τουλάχιστον 30~60 λεπτά) πριν το χρησιμοποιήσετε ξανά. Εάν το μηχάνημα δεν ξεκινήσει ξανά, αναζητήστε εξουσιοδοτημένη τεχνική βοήθεια.

4. Χαμηλή αναρρόφηση μετά από χρήση για κάποιο χρονικό διάστημα.

Λύση: αποσυνδέστε το μηχάνημα από την πρίζα, αδειάστε τη σκόνη, αποσυναρμολογήστε το πλαστικό/φίλτρο HEPA και πλύνετε με νερό, τα φίλτρα πρέπει να στεγνώσουν πλήρως (ή με δροσερό αέρα με πιστολάκι μαλλιών για να στεγνώσουν) και στη συνέχεια να στερεωθούν ξανά.

5. Το μηχανοκίνητο Turbo Brush δεν λειτουργεί ή σταματά να λειτουργεί.

Λύση: ελέγξτε εάν οι τρίχες στρίβουν τον κύλινδρο της βούρτσας και αφαιρέστε τις τρίχες.

Σημαντικό: Η βούρτσα δαπέδου με κινητήρα τούρμπο μπορεί να χρησιμοποιηθεί μόνο σε σκληρό δάπεδο. Πιθανότατα θα σταματήσει να λειτουργεί εάν χρησιμοποιηθεί σε δάπεδο με χαλί.

Τεχνικά χαρακτηριστικά

Χαρακτηριστικά	Μοντέλο VC-600.047A
Ονομαστική ισχύς (W)	600W
Είσοδος προσαρμογέα ισχύος	220-240V~ 50/60Hz
Χωρητικότητα κάδου σκόνης (ml)	600ml
Ισχύς αναρρόφησης	100 W
Ροή αέρα	16.73 l/s
Ισχύς κενού (Kpa)	18.5 Kpa
Θόρυβος (dB)	≤79.3 dB(A)

Δήλωση συμμόρφωσης ΕΕ

Αυτό το προϊόν έχει δοκιμαστεί και παραχθεί σύμφωνα με όλες τις σχετικές τρέχουσες κατευθυντήριες γραμμές CE, όπως:



- οδηγία για την ηλεκτρομαγνητική συμβατότητα 2014/30/ΕΕ,
- Οδηγία για τη χαμηλή τάση (LVD) οδηγία 2014/35/ΕΕ,
- RoHS με τις τροποποιήσεις της οδηγίας 2011/65/ΕΕ και (ΕΕ)2015/863,

και έχει κατασκευαστεί σύμφωνα με τους πιο πρόσφατους κανονισμούς ασφαλείας. Το σήμα CE πιστοποιεί αυτό το προϊόν με όλες τις σχετικές οδηγίες.

Διάθεση – Περιβαλλοντική πολιτική

Συσκευασία



Το υλικό συσκευασίας είναι πλήρως ανακυκλώσιμο και επισημαίνεται με το σύμβολο ανακύκλωσης. Ακολουθήστε τους τοπικούς κανονισμούς για κατάργηση. Κρατήστε τα υλικά συσκευασίας (πλαστικές σακούλες, μέρη πολυστερίνης κ.λπ.) μακριά από παιδιά, καθώς είναι δυνητικά επικίνδυνα.

Διάθεση

Η συσκευή αυτή επισημαίνεται σύμφωνα με την ευρωπαϊκή οδηγία 2012/19/ΕΕ για τα απόβλητα ηλεκτρικού και ηλεκτρονικού εξοπλισμού (ΑΗΗΕ).

Διασφαλίζοντας ότι αυτό το προϊόν απορρίπτεται σωστά, θα βοηθήσετε στην πρόληψη πιθανών αρνητικών συνεπειών για το περιβάλλον και την ανθρώπινη υγεία, οι οποίες διαφορετικά θα μπορούσαν να προκληθούν από ακατάλληλο χειρισμό αποβλήτων αυτού του προϊόντος.



Αυτό το σύμβολο στο προϊόν ή στα έγγραφα που συνοδεύουν το προϊόν, υποδεικνύει ότι αυτή η συσκευή δεν μπορεί να αντιμετωπιστεί ως οικιακά απορρίμματα. Αντίθετα, παραδίδεται στο εφαρμοστέο σημείο συλλογής για την ανακύκλωση ηλεκτρικού και ηλεκτρονικού εξοπλισμού.

Η διάθεση πρέπει να πραγματοποιείται σύμφωνα με τους τοπικούς περιβαλλοντικούς κανονισμούς για τη διάθεση των αποβλήτων. Για περισσότερες πληροφορίες σχετικά με την επεξεργασία, την ανάκτηση και την ανακύκλωση αυτού του προϊόντος, επικοινωνήστε με το τοπικό γραφείο της πόλης, την υπηρεσία διάθεσης οικιακών απορριμμάτων ή το κατάστημα από το οποίο αγοράσατε το προϊόν.

Εγγύησης

Όροι και Προϋποθέσεις Εγγύησης

1. Το προϊόν είναι εγγυημένο για την περίοδο που ορίζεται από τη νομοθεσία στην οποία διατίθεται στην αγορά, αρχής γενομένης από την ημερομηνία αγοράς, έναντι κατασκευαστικών ελαττωμάτων ή/και κατασκευής. Η έλλειψη συμμόρφωσης που εκδηλώνεται κατά την περίοδο αυτή τεκμαίρεται ότι υφίσταται κατά την ημερομηνία αγοράς. Μετά από αυτή την περίοδο, εναπόκειται στον πελάτη να αποδείξει ότι η έλλειψη συμμόρφωσης υπήρχε ήδη κατά τη στιγμή της παράδοσης .
2. Εάν, κατά τη διάρκεια της περιόδου εγγύησης, το προϊόν είναι ελαττωματικό σε κανονική χρήση, ο αγοραστής θα πρέπει να επικοινωνήσει με την εγκατάσταση πώλησης και να στείλει τη συσκευή στον τόπο που υποδεικνύεται από τον πωλητή.

3. Η εγγύηση ισχύει μόνο με την προσκόμιση του τιμολογίου που αποδεικνύει την αγορά και το συμπληρωμένο πιστοποιητικό εγγύησης (αναφέροντας την ημερομηνία αγοράς, το όνομα του εμπόρου, την αναφορά του μοντέλου και συνιστάται επίσης να αναφέρετε τον σειριακό αριθμό και τον αριθμό παρτίδας).
 4. Ο εισαγωγέας/πωλητής διατηρεί το δικαίωμα να αρνηθεί τη βοήθεια εγγύησης σε περίπτωση που οι πληροφορίες αυτές έχουν διαγραφεί ή τροποποιηθεί μετά την αρχική αγορά του προϊόντος.
 5. Η ευθύνη του εισαγωγέα/πωλητή περιλαμβάνει ιδίως τα έξοδα επισκευής ή/και αντικατάστασης της μονάδας που καλύπτεται από την εγγύηση με την επιφύλαξη του δικαιώματος αντικατάστασης της με ισοδύναμο προϊόν, σε περιπτώσεις όπου δεν είναι δυνατή η επισκευή της.
 6. Η εγγύηση δεν ισχύει για προβλήματα που δεν σχετίζονται άμεσα με ελαττώματα υλικού, σχεδιασμού ή κατασκευής.
 7. Αυτό το προϊόν είναι συσκευή και προορίζεται μόνο για οικιακή χρήση. Η εγγύηση θα είναι άκυρη εάν το προϊόν χρησιμοποιείται για επαγγελματικούς σκοπούς.
 8. Η εγγύηση δεν καλύπτει ζημιές που προκαλούνται από κακή χρήση, ακατάλληλη εγκατάσταση, διαρροή, εξωτερικούς παράγοντες ή σκόπιμη ζημιά.
 9. Η εγγύηση δεν καλύπτει ζημιές που προκύπτουν από πτώσεις, χρήση υπερβολικής δύναμης, χτυπήματα, έκθεση σε ακραίες περιβαλλοντικές συνθήκες ή φθορά που προκαλείται από την κανονική χρήση πλαστικών μερών ή ηλεκτρολογίων, καθώς και τη χρήση μπαταριών άλλων από αυτές που καθορίζονται στο παρόν εγχειρίδιο.
 10. Η εγγύηση δεν καλύπτει την εγκατάσταση και τον προγραμματισμό από τον αντιπρόσωπο. Ειδικότερα, δεν μπορεί να γίνει δεκτή καμία αξίωση εγκατάστασης και δωρεάν προγραμματισμού από τον μεταπωλητή.
 11. Η εγγύηση δεν καλύπτει ελλείψεις που επηρεάζουν ασήμαντα τη λειτουργία της συσκευής. Άλλα έξοδα, όπως η εγκατάσταση, η μεταφορά και η μετακίνηση του τεχνικού εξαιρούνται ρητά από την εγγύηση.
 12. Η δυνατότητα εφαρμογής της εγγύησης προϋποθέτει ότι η συσκευή αποστέλλεται στον πωλητή ή τον τόπο που υποδεικνύεται από αυτόν, πλήρης και σε καλά προστατευμένη συσκευασία (ει δυνατόν, στην αρχική συσκευασία της) και συνοδεύεται από το φύλλο ή την κάρτα εγγύησης που έχει συμπληρωθεί δεόντως και απόδειξη αγοράς.
 13. Εάν μετά την επαλήθευση, διαπιστωθεί ότι δεν υπάρχουν λόγοι για τον ισχυρισμό ή ότι το προϊόν δεν είναι ελαττωματικό, το εγγενές κόστος θα καταλογιστεί στον πελάτη και ο έμπορος εξουσιοδοτείται να χρεώσει αυτά τα έξοδα στον πελάτη.
 14. Η εγγύηση θα είναι άκυρη όταν εμφανίζει ενδείξεις ότι ένα μη εξουσιοδοτημένο άτομο έχει επιχειρήσει να πραγματοποιήσει επισκευές, τροποποιήσεις ή αντικατάσταση εξαρτημάτων στη συσκευή.
 15. Οι επισκευές που πραγματοποιούνται μετά το τέλος της περιόδου εγγύησης υπόκεινται σε έξοδα.
 16. Η παρούσα εγγύηση δεν επηρεάζει τα νόμιμα δικαιώματά σας που ενδέχεται να έχετε ως καταναλωτή σύμφωνα με το εφαρμοστέο εθνικό δίκαιο που διέπει την αγορά προϊόντων όπου πωλείται το προϊόν.
- 17. Περίοδος εγγύησης:**
- Χώρες της Ευρωπαϊκής Ένωσης** - Οι ευρωπαϊκές οδηγίες (ΕΕ) 2019/771 και (ΕΕ) 2019/770 εφαρμόζονται σε ορισμένες πτυχές των συμβάσεων αγοράς και πώλησης κινητών αγαθών και μεταφέρονται στην εθνική νομοθεσία των χωρών τους.
- Άλλες χώρες** - εφαρμόζεται εθνική νομοθεσία για τα δικαιώματα των καταναλωτών στη χώρα τους. Σε περίπτωση μη επίσημης νομοθεσίας, η εγγύηση εφαρμόζεται κατά τη διακριτική ευχέρεια του εισαγωγέα που διαθέτει το προϊόν στην αγορά ή στην εγκατάσταση πωλητή.

Meet the family



HAEGERTEC, S.A.

Edifício HAEGER – Pct. Cidade de Londres, 1
Parque Industrial do Arneiro
2660-456 S. Julião do Tojal
PORTUGAL
<https://www.haegergroup.com>

Tel: +351 21 949 83 00 (PBX)
Tel: +351 21 949 83 02 (after sales support)
Fax: +351 21 949 83 25
e-mail: assistencia@haegergroup.com
e-mail: comercial@haegergroup.com



2305VC600047A-EU