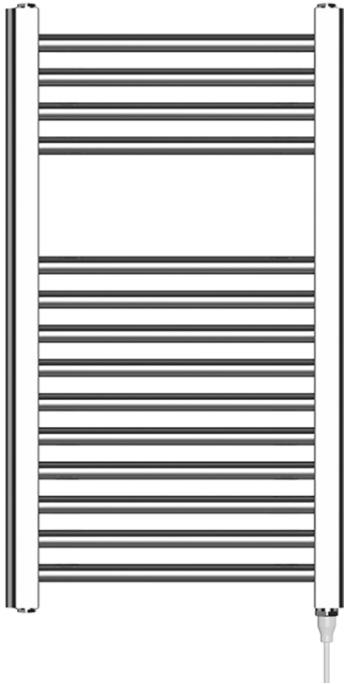


Towel Warmer – Toalheiro Elétrico  
Secatoallas electrico – Sèche-serviettes électrique  
Ηλεκτρικός Θερμαντήρας πετσετών



Download  
Multi-language file



Single Chrome

TW-15C.001A (chrome)



This product is only suitable for well insulated spaces or occasional use.

Este produto é adequado apenas para espaços bem isolados ou utilização ocasional.

Este producto está indicado únicamente en lugares abrigados o para una utilización puntual.

Ce produit ne peut être utilisé que dans des locaux bien isolés ou de manière occasionnelle.

Αυτό το προϊόν είναι κατάλληλο μόνο για καλά μονωμένους χώρους ή περιστασιακή χρήση.

**Instruction Manual / Manual de Instruções / Manual de Instrucciones  
Mode d'emploi / Οδηγίες χρήστη**

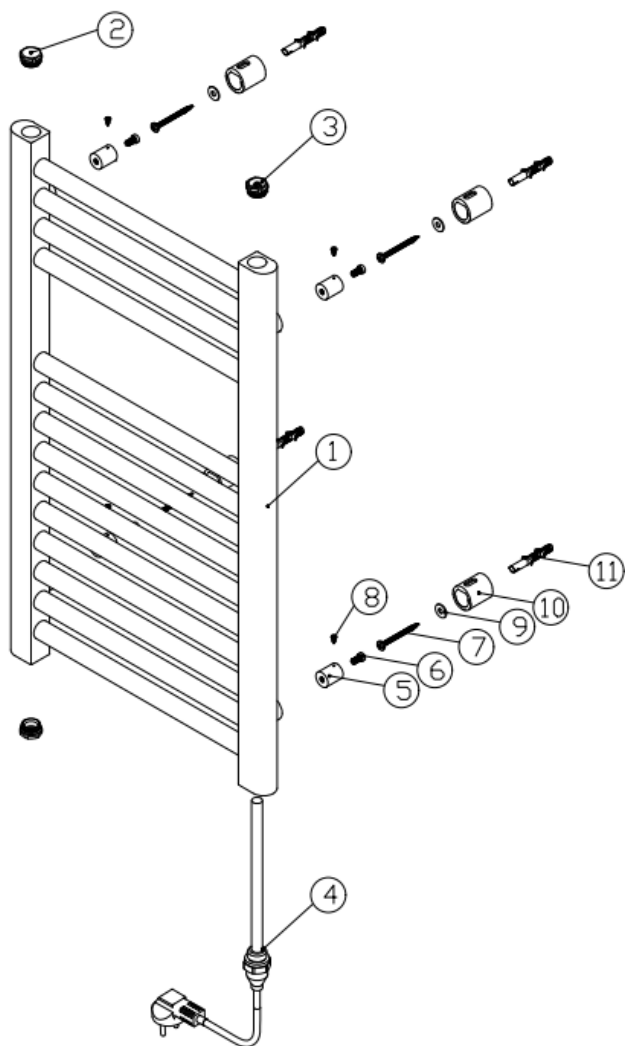


Figure-1

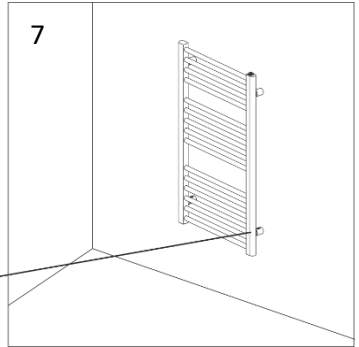
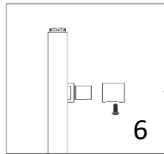
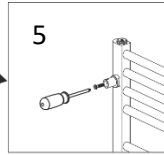
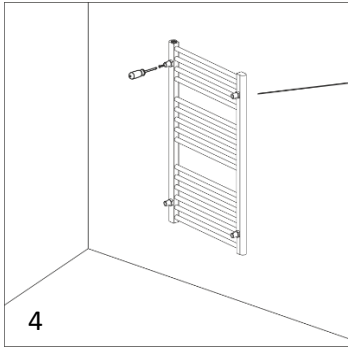
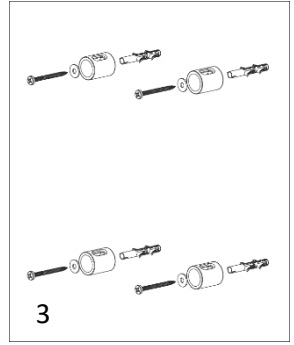
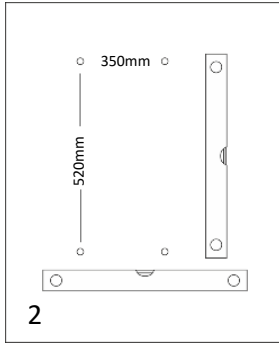
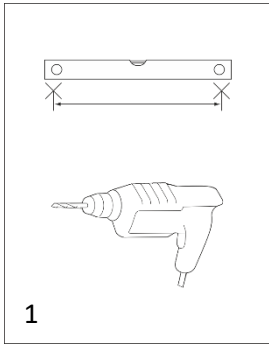
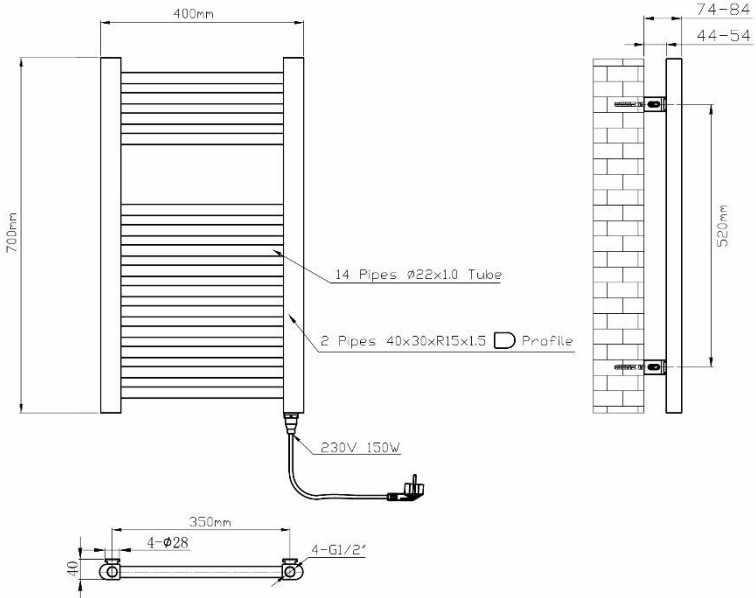


Figure-2



## English

### Dear customer

Thank you for having chosen a HÆGER product.

The HÆGER products have been produced to think about the welfare of the consumer privileging the most raised standards of quality, functionality and assign. We are sure you will be happy with this appliance.

We assume that the user is familiar with the common procedures of handling household appliances.

Before using the appliance for the first time please read carefully and thoroughly through these operating instructions and the safety advice, completely familiarising yourself with the appliance. Retain these instructions for future reference and pass them on to whoever might acquire the appliance at a future date.

### Intended use

This appliance is only intended for drying fabrics that have been washed in water and exclusively for non-commercial use.

The device is not designed for commercial use. Generally recognized accident prevention regulations and the enclosed safety instructions must be observed.

Only carry out activities that are described in these instructions for use. Any other use is unauthorized misuse. The manufacturer is not liable for any damage resulting from this.

### Important Safety Instructions

**Please keep this instruction manual in a safe place, along with the warranty card, purchase receipt and carton for future reference. The safety precautions enclosed here in reduce the risk of fire, electric shock and injury when correctly adhered to.**

- The device may only be used if it is in perfect working order. If the device or a part of it is defective, it must be taken out of service and disposed of properly.
- Do not use the device in areas where there is a risk of explosion or in the vicinity of flammable liquids or gases!
- Do not use any devices on which the on/off switch does not work properly.
- Keep children away from the device! Keep the device safe from children and unauthorized persons.
- Do not overload the device. Only use the device for the purposes for which it is intended.
- Make sure that children do not play with the device.

- Always observe the valid national and international safety, health and work regulations.
- The device may only be connected to a socket with a properly installed protective contact.
- Before connecting the device, it must be ensured that the mains connection corresponds to the connection data of the device.
- The input voltage of this product is 220-240V~, 50-60Hz. Before turning on, ensure the electrical voltage and frequency of the circuit corresponds to those indicated on the appliance.
- Protection must be provided with a residual current circuit breaker (FI switch) with a rated residual current of no more than 30 mA.
- Do not touch the mains plug with wet hands!
- Always pull the mains plug by the plug, not the cable.
- Do not kink, crush, pull or run over the mains cable; protect from sharp edges, oil and heat.
- Do not lift the device by the cable or otherwise misuse the cable.
- Check the plug and cable before each use.
- If the mains cable is damaged, pull out the mains plug immediately. Never use the device with a damaged power cord.
- The mains plug must always be pulled out when not in use.
- Before plugging in the mains plug, make sure that the device is switched off.
- Always switch off the device before pulling out the mains plug.
- De-energize the device during transport.
- If the power cord of this device is damaged, it must be replaced by the manufacturer or its customer service or a similarly qualified person in order to avoid hazards.
- Watch out for cables and gas and water lines when drilling in walls, ceilings or floors.
- The environment must be free of highly flammable or explosive substances.
- The device must not be operated outdoors.
- The heater must not be placed directly below a wall socket.
- Do not use any adapters or extension cords.
- **Close supervision is necessary when any appliance is used by or near children. Children should be supervised to ensure that they do not play with the appliance.**

- **This appliance shall not be used by children from 0 year to 8 years. This appliance can be used by children aged from 8 years and above and persons with reduced physical, sensory or mental capabilities or lack of experience and knowledge if they have been given supervision or instruction concerning use of the appliance in a safe way and understand the hazards involved. Children shall not play with the appliance. Keep the appliance and its cord out of reach of children aged less than 8 years.**
- **Cleaning and user maintenance shall not be made by children unless older than 8 and supervised.**
- **Children of less than 3 years should be kept away unless continuously supervised.**
- **Children aged from 3 years and less than 8 years shall only switch on/off the appliance provided that it has been placed or installed in its intended normal operating position and they have been given supervision or instruction concerning use of the appliance in a safe way and understand the hazards involved. Children aged from 3 years and less than 8 years shall not plug in, regulate and clean the appliance or perform user maintenance.**
- **CAUTION — Some parts of this product can become very hot and cause burns. Particular attention has to be given where children and vulnerable people are present.**



## **Caution!**

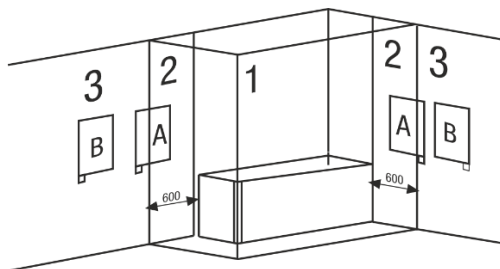
**This electric towel rail has been pre-filled with a precise amount of special water + antifreeze. Repairs that require opening the container should only be carried out by the manufacturer or its service agent, who must be contacted in the event of a leak.**

## Description of the elements (Fig-1)

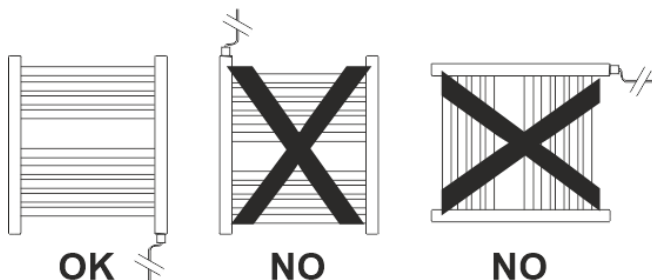
1 – Towel rail 700*400mm	2 – 2x G1/2 blank plug
3 – 1x G1/2 air vent plug	4 – Heater element
5 – 4x Plastic bracket $\phi 29 \times 52.5$	6 – 4x M6x20 screw
7 – 4x ST4.8x60mm screw	8 – 4x M5x12 fixing screw
9 – 4x washer $\phi 16 \times \phi 6 \times 1.4$	10 – 4x Bracket $\phi 28 \times 34$
11 – 4x $\phi 8 \times 64$ mm wall plug	

## Installation

1. Installation must be carried out by a qualified professional or another fully qualified person. It must be installed in accordance with the normal trade practices and in compliance with the national legislation (EU electricity directives and regulations concerning special installations and places of operation including bathrooms, shower cabins (IEC 60364-7-701).
2. Make sure you have the necessary equipment for your personal protection before starting the installation.
3. Check that you have prepared all the components indicated in the accessories box and that the size and finish are what you need, before starting the installation.
4. The improper installation, handling or use of the towel warmer will be an immediate reason for the termination of the warranty offered for the product.
5. The product can be safely installed in Zones 3. For installations in Zones 2 (check the scheme below), please consider the following limitations:
  - In bathrooms, the product must never be installed in such a way that the control panel may be touched by someone in the bathtub or having a shower. The control panel should be located at least 600 mm distance from any wet areas. The body of the product can be placed in Zones 2 if the control panel is located inside Zone 3.
  - In wet premises the power source must be installed at a height of at least 25 cm above the floor (bathrooms and kitchens).
  - The product must be earthed.



**IMPORTANT** - This product must never be installed with its control panel at the top. This product must not be installed horizontally. During installation, use wedges so that the control panel will not be in contact with the floor.



## Wall Mounting



**DANGER! Danger to life!** When drilling, keep a sufficient distance from power lines that are close to the holes to be drilled.

There is a high risk of fire or life-threatening electric shock.



**ATTENTION! Damage to property!** When drilling, keep a sufficient distance from water pipes that are close to the holes to be drilled. There is a risk of water damage.

1. Choose the right part of the wall.
2. Before installing the warmer, mark the places where you want to attach the wall brackets to the wall and drill the holes in the wall with a suitable drill. (Fig-2, p1-p2)
3. Insert the wall plugs (11) in the holes made and screw the plastic fastener (10) to the wall with the washer (9) and 4.8 x 60 mm screw (7). (Fig-2, p3)
4. Screw the bracket (5) with the screw (6) (Fig-2, 4-5).
5. Insert the assembled part into the plastic fastener (10) and fix well with the M5x12 screw (8). (Fig2, 6-7)



## Operation

### Check before switching on!



**DANGER! Risk of injury!** The device may only be put into operation if no errors are found during the check. If a part is defective, it must be replaced before the next use.

### Check the safe condition of the device:

- Check if there are any visible defects.
- Check whether all parts of the device are securely mounted.

### Electrical connection

Connect the mains cable to the wall socket. The cable is equipped with an ON/OFF switch. When the switch is turned ON the button is lit.

### Working mode

The heating element is equipped with a liquid sensor that switch on when the temperature is lower than 55°C and stops automatically when it reaches 70°C with a tolerance of  $\pm 5^{\circ}\text{C}$ .

## Maintenance and Cleaning



**DANGER! Risk of injury!** Always pull out the mains plug before working on the device.

The product does not require any type of maintenance. We recommend that all parts of the product are kept clean (behind, underneath, upper fins, etc.). Do not use any abrasive product on the steel main body. Clean it with a damp cloth and a pH neutral soap, and the control panel with a dry cloth.

## Technical Data

	TW-15C.001A
Rated voltage	220-240V~
Rated input frequency	50-60Hz
Rated power	150W
Working temperature	55 °C – 70 °C
Protection class	Class I
Dimensions	700 x 400 mm

## Conformity CE

This product has been tested and produced according to all relevant current CE guidelines, such as:



- Electromagnetic compatibility Directive 2014/30/EU,
- Low voltage Directive (LVD) Directive 2014/35/EU,
- RoHS with its amendments Directive EU 2015/863,

and has been constructed in accordance with the latest safety regulations.

The CE mark attests this product with all relevant directives.

## Disposal – Environment policy

### Packing



The packaging material is entirely recyclable and marked with the recycling symbol. Follow local regulations for scrapping. Keep the packaging materials (plastic bags, polystyrene parts, etc.) out of reach of children, as they are potentially dangerous.

### Disposal

**This appliance is marked according to the European directive 2012/19/EU on Waste Electrical and Electronic Equipment (WEEE).**

By ensuring this product is disposed of correctly, you will help prevent potential negative consequences for the environment and human health, which could otherwise be caused by inappropriate waste handling of this product.



This symbol on the product, or on the documents accompanying the product, indicates that this appliance may not be treated as household waste. Instead, it shall be handed over to the applicable collection point for the recycling of electrical and electronic equipment.

Disposal must be carried out in accordance with local environmental regulations for waste disposal. For more detailed information about treatment, recovery and recycling of this product, please contact your local city office, your household waste disposal service or the shop where you purchased the product.

# Warranty

## Warranty Terms and Conditions

1. The product is guaranteed for the period stipulated by the legislation where it is placed on the market, starting from the date of purchase, against manufacturing defects and/or workmanship. The lack of conformity manifested in this period is presumed to exist at the date of purchase. After this period, it is for the customer to prove that the lack of conformity already existed at the time of delivery.
2. If, during the warranty period, the product is defective in normal use, the buyer should contact the selling establishment and send the appliance to the place indicated by the seller.
3. The warranty is only valid upon presentation of the invoice proving the purchase and the completed warranty certificate (indicating the date of purchase, the name of the dealer, the reference of the model, and it is also recommended to indicate the serial number and lot number).
4. The importer/seller reserves the right to refuse warranty assistance in the event that such information has been deleted or altered after the original purchase of the product.
5. The responsibility of the importer/seller includes in particular the costs of repairing and/or replacing the unit covered by the warranty with the reservation of the right to replace it with an equivalent product, in cases where it is not possible to repair it.
6. The warranty does not apply to problems that are not directly related to defects in material, design or workmanship.
7. This product is an appliance and is intended for home use only. The warranty will be void if the product is used for professional purposes.
8. The warranty does not cover damage caused by misuse, improper installation, spillage, external factors, or intentional damage.
9. The warranty does not cover damage resulting from falls, use of excessive force, blows, exposure to extreme environmental conditions or deterioration caused by the normal use of plastic parts or keyboards, as well as the use of batteries other than those specified in this manual.
10. The warranty does not cover installation and programming by the dealer. In particular, no claim for installation and free programming by the reseller may be accepted.
11. The warranty does not cover deficiencies that insignificantly impair the operation of the appliance. Other costs, such as installation, transportation and travel of the technician are expressly excluded from the warranty.
12. The applicability of the warranty presupposes that the appliance is sent to the seller or place indicated by him, complete and in well-protected packaging (if possible, in its original packaging) and accompanied by its sheet or warranty card duly filled out and proof of purchase.
13. If after verification, it is found that there are no reasons for the claim, or that the product is not defective, the inherent costs will be imputed to the customer, and the dealer is authorized to charge those costs to the customer.
14. The warranty will be void when it shows signs that an unauthorized person has attempted to carry out repairs, modifications or replacement of parts on the appliance.
15. Repairs carried out after the end of the warranty period are subject to costs.
16. This warranty does not affect your legal rights that you may have as a consumer under applicable national law governing the purchase of products where the product is sold.
17. **Warranty Period:**
  - European Union countries** - European Directives (EU) 2019/771 and (EU) 2019/770 apply on certain aspects of contracts for the purchase and sale of movable property and transposed into the national laws of their countries.
  - Other countries** - national legislation on consumer rights in their country applies. In the case of no official legislation, the guarantee shall be applied at the discretion of the importer placing the product on the market or the seller establishment.

# Português

## Estimado Cliente

Obrigado por ter escolhido um produto HÆGER.

Os produtos HÆGER foram concebidos a pensar no bem-estar do consumidor, privilegiando os mais elevados padrões de qualidade, funcionalidade e designe. Estamos certos da sua satisfação pela aquisição deste produto.

Partimos do princípio de que o utilizador possui conhecimentos gerais sobre o manuseamento com eletrodomésticos.

Antes da primeira utilização, leia cuidadosa e totalmente estas instruções de utilização e de segurança e familiarize-se com as funções do aparelho. Guarde estas instruções para referência futura e transmita-as a quem venha a adquirir o aparelho no futuro.

## Uso previsto

Este aparelho destina-se apenas à secagem de tecidos que tenham sido lavados em água e exclusivamente para uso doméstico.

O dispositivo não foi projetado para uso comercial. Devem ser observadas as normas de prevenção de acidentes geralmente reconhecidas e as instruções de segurança incluídas. Execute apenas as atividades descritas nestas instruções de uso. Qualquer outro uso é uso indevido não autorizado. O fabricante não se responsabiliza por quaisquer danos daí resultantes.

## Conselhos e advertências de segurança

**Por favor mantenha este manual de instruções em lugar seguro, tal como a garantia preenchida e talão de venda para efeitos de garantia. As mediadas de segurança incluídas aqui reduzem risco de fogo, choque elétrico e acidentes pessoais quando corretamente ligado.**

- O aparelho só pode ser utilizado se estiver em perfeito estado de funcionamento. Se o dispositivo ou uma parte dele estiver com defeito, ele deve ser retirado de serviço e descartado adequadamente.
- Não utilize o aparelho em áreas com risco de explosão ou na proximidade de líquidos ou gases inflamáveis!
- Não use nenhum dispositivo em que o botão liga/desliga não funcione corretamente.
- Mantenha as crianças afastadas do aparelho! Mantenha o dispositivo protegido contra crianças e pessoas não autorizadas.
- Não sobrecarregue o aparelho. Utilize o aparelho apenas para os fins a que se destina.
- Certifique-se de que as crianças não brinquem com o aparelho.
- Sempre observe os regulamentos nacionais e internacionais de segurança, saúde e trabalho válidos.

- O aparelho só pode ser ligado a uma tomada com contacto de proteção devidamente instalado.
- Antes de conectar o dispositivo, deve-se assegurar que a conexão de rede corresponda aos dados de conexão do dispositivo.
- A tensão de entrada deste produto é 220-240V~, 50-60Hz. Antes de ligar, certifique-se de que a tensão elétrica e a frequência do circuito correspondem às indicadas no aparelho.
- A proteção deve ser fornecida com um disjuntor de corrente residual (chave FI) com corrente residual nominal não superior a 30 mA.
- Não toque na ficha de rede com as mãos molhadas!
- Puxe sempre a ficha de rede pela ficha e não pelo cabo.
- Não dobre, esmague, puxe ou passe por cima do cabo de alimentação; proteger de arestas afiadas, óleo e calor.
- Não levante o dispositivo pelo cabo ou faça mau uso do cabo.
- Verifique a ficha e o cabo antes de cada uso.
- Se o cabo de alimentação estiver danificado, retire imediatamente a ficha de alimentação. Nunca use o dispositivo com um cabo de alimentação danificado.
- A ficha de rede deve ser sempre retirada quando não estiver a ser utilizada.
- Antes de ligar a ficha de rede, certifique-se de que o aparelho está desligado.
- Desligue sempre o aparelho antes de retirar a ficha de rede.
- Desenergize o dispositivo durante o transporte.
- Se o cabo de alimentação deste dispositivo estiver danificado, ele deve ser substituído pelo fabricante ou seu serviço ao cliente ou por uma pessoa qualificada para evitar riscos.
- Cuidado com cabos e linhas de gás e água ao perfurar paredes, tetos ou pisos.
- O ambiente deve estar livre de substâncias altamente inflamáveis ou explosivas.
- O aparelho não deve ser operado ao ar livre.
- O aquecedor de toalhas não deve ser colocado diretamente abaixo de uma tomada de parede.
- Não use adaptadores ou cabos de extensão.
- **É necessária supervisão cuidadosa quando qualquer aparelho for usado por ou perto de crianças. As crianças devem ser supervisionadas para garantir que não brinquem com o aparelho.**
- **Este aparelho não deve ser utilizado por crianças com idades compreendidas entre os 0 e os 8 anos. Este aparelho pode ser utilizado por crianças com mais de 8 anos e por pessoas com capacidades físicas, sensoriais ou mentais reduzidas, assim como com falta de experiência**

e conhecimentos, caso sejam supervisionadas ou instruídas sobre como utilizar o aparelho de modo seguro e compreendam os riscos envolvidos. As crianças não devem brincar com o aparelho. Mantenha o aparelho e respetivo cabo fora do alcance de crianças com idade inferior a 8 anos.

- A limpeza e manutenção não devem ser realizadas por crianças a não ser que tenham mais de 8 anos e sejam supervisionadas.
- Crianças com menos de 3 anos devem ser mantidas afastadas, a menos que sejam supervisionadas continuamente.
- As crianças com menos de 3 anos e menos de 8 anos só podem ligar / desligar o aparelho desde que este tenha sido colocado ou instalado na sua posição normal de funcionamento e tenham recebido supervisão ou instruções relativas à utilização segura do aparelho e compreender os perigos envolvidos. Crianças com idade entre 3 anos e menos de 8 anos não devem ligar, regular e limpar o aparelho ou realizar a manutenção do usuário.
- **CUIDADO** - Algumas partes deste produto podem ficar muito quentes e causar queimaduras. Atenção especial deve ser dada quando crianças e pessoas vulneráveis estiverem presentes.



## **Cuidado!**

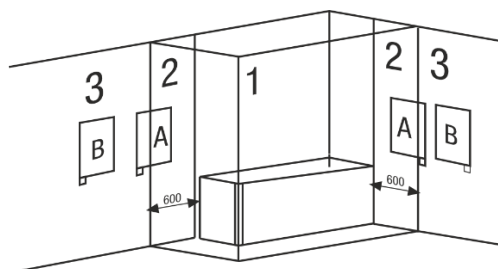
Este toalheiro elétrico foi pré-preenchido com uma quantidade precisa de água especial + anticongelante. As reparações que exijam a abertura do recipiente só devem ser efetuadas pelo fabricante ou pelo seu agente de assistência, que deve ser contactado em caso de fuga.

## Descrição dos elementos (Fig-1)

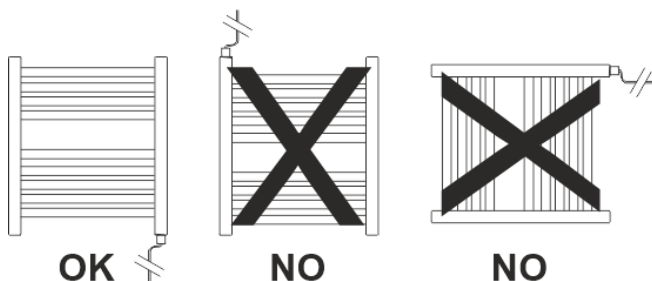
1 – Toalheiro 700*400	2 – 2x tampão cego G1/2
3 – 1x bujão de ventilação G1/2	4 – Elemento de aquecimento
5 – 4x suporte de plástico $\phi 29 \times 52,5$	6 – 4x parafusos M6x20
7 – 4x parafusos ST4.8x60mm	8 – Parafuso de fixação M5x12
9 – 4x arruela $\phi 16 \times \phi 6 \times 1,4$	10 – 4x suportes $\phi 28 \times 34$
11 – 4x bucha de parede $\phi 8 \times 64 \text{mm}$	

## Instalação

1. A instalação deve ser realizada por um profissional qualificado ou outra pessoa totalmente qualificada. Deve ser instalado de acordo com as práticas comerciais normais e em conformidade com a legislação nacional (diretivas de eletricidade da UE e regulamentos relativos a instalações especiais e locais de operação, incluindo banheiros, cabines de chuveiro (IEC 60364-7-701).
2. Certifique-se de que possui os equipamentos necessários para sua proteção pessoal antes de iniciar a instalação.
3. Verifique se preparou todos os componentes indicados na caixa de acessórios e se o tamanho e acabamento são os que você precisa, antes de iniciar a instalação.
4. A instalação, manuseio ou uso inadequado do aquecedor de toalhas será motivo imediato para o término da garantia oferecida para o produto.
5. O produto pode ser instalado com segurança nas Zonas 3. Para instalações nas Zonas 2 (verifique o esquema abaixo), considere as seguintes limitações:
  - Em banheiros, o produto nunca deve ser instalado de forma que o painel de controle possa ser tocado por alguém na banheira ou no chuveiro. O painel de controle deve estar localizado a pelo menos 600 mm de distância de qualquer área molhada. O corpo do produto pode ser colocado nas Zonas 2 se o painel de controle estiver localizado na Zona 3.
  - Em locais húmidos, a fonte de alimentação deve ser instalada a uma altura de pelo menos 25 cm acima do piso (banheiros e cozinhas).
  - O produto deve ser aterrado.



**IMPORTANTE** - Este produto nunca deve ser instalado com o painel de controle na parte superior. Este produto não deve ser instalado horizontalmente. Durante a instalação, use calços para que o painel de controle não fique em contato com o piso.



## Montagem em parede



**PERIGO! Perigo de vida!** Ao perfurar, mantenha uma distância suficiente das linhas de energia que estão próximas aos orifícios a serem perfurados.

Existe um alto risco de incêndio ou choque elétrico com risco de vida.



**ATENÇÃO! Estragos à propriedade!** Ao perfurar, mantenha uma distância suficiente das tubulações de água próximas aos furos a serem perfurados. Existe o risco de danos causados pela água.

1. Escolha a parte certa da parede.
2. Antes de instalar o aquecedor de toalhas, marque os locais onde deseja fixar os suportes de parede na parede e faça os furos na parede com uma broca adequada. (Fig-2, p1-p2)
3. Insira as buchas (11) nos furos feitos e aparafuse o prendedor plástico (10) na parede com a arruela (9) e parafuso 4,8 x 60 mm (7). (Fig-2, p3)
4. Aparafuse o suporte (5) com o parafuso (6) (Fig-2, 4-5).
5. Insira a peça montada no prendedor plástico (10) e fixe bem com o parafuso M5x12 (8). (Fig2, 6-7)



## Operação

**Verifique antes de ligar!**



**PERIGO! Risco de lesão!** O dispositivo só pode ser colocado em funcionamento se não forem encontrados erros durante a verificação. Se uma peça estiver com defeito, ela deve ser substituída antes do próximo uso.

**Verifique a condição segura do dispositivo:**

- Verifique se existem defeitos visíveis.
- Verifique se todas as peças do aparelho estão bem montadas.

**Ligação elétrica**

Ligue o cabo de alimentação à tomada de parede. O cabo está equipado com um interruptor ON/OFF. Quando o interruptor é ligado, o botão fica aceso.

**Modo de funcionamento**

O elemento de aquecimento está equipado com um sensor de líquido que liga quando a temperatura é inferior a 55°C e para automaticamente quando atinge 70°C com uma tolerância de  $\pm 5^\circ\text{C}$ .

## Manutenção e Limpeza



**PERIGO! Risco de lesão!** Retire sempre a ficha de rede antes de trabalhar no aparelho.

O produto não requer nenhum tipo de manutenção. Recomendamos que todas as partes do produto sejam mantidas limpas (atrás, em baixo, aletas superiores, etc.). Não use nenhum produto abrasivo no corpo principal de aço. Limpe-o com um pano húmido e sabão de pH neutro e o painel de controle com um pano seco.

## Características técnicas

	TW-15C.001A
Tensão nominal	220-240V~
Frequência nominal	50-60Hz
Potência nominal	150W
Temperatura de funcionamento	55 °C – 70 °C
Classe de proteção	Classe I
Dimensões	700 x 400 mm

## Conformidade CE

Este aparelho foi testado e produzido de acordo com todas as atuais diretivas relevantes da UE, tais como:



- Diretiva de Compatibilidade eletromagnética 2014/30/EU,
- Diretiva de Baixa tensão LVD 2014/35/EU,
- Diretiva RoHS e respetiva emenda EU 2015/863

e foi fabricado de acordo com as mais recentes normas de segurança.

A marcação CE atesta este produto com todas as diretivas relevantes.

## Eliminação – Política ambiental

### Embalagem



A embalagem é constituída por material inteiramente reciclável e está marcada com o símbolo de reciclagem. Para a eliminação, respeite as normas locais. Os materiais de embalagem (sacos de plástico, pedaços de poliestireno, etc.) devem ser mantidos fora do alcance das crianças dado que constituem potenciais fontes de perigo.

### Eliminação

**Este aparelho está classificado de acordo com a Diretiva Europeia 2012/19/EU sobre Resíduos de equipamento elétrico e eletrónico (CEE).**

Ao garantir a eliminação adequada deste produto, estará a ajudar a evitar potenciais consequências negativas para o ambiente e para a saúde pública, que poderiam derivar de um manuseamento de desperdícios inadequado deste produto.



Este símbolo no produto, ou nos documentos que acompanham o produto, indica que este aparelho não pode ser tratado como lixo doméstico. Pelo contrário, deve ser entregue no ponto de recolha para a reciclagem de equipamento elétrico e eletrónico.

A eliminação dever ser efetuada de acordo com as normas ambientais locais para a deposição de resíduos. Para obter informações mais detalhadas sobre o tratamento, a recuperação e reciclagem deste produto, entre em contacto com o departamento local, o serviço de recolha de lixo ou a loja onde adquiriu o produto.

# Garantia

## Termos e Condições de garantia

1. O produto é garantido pelo período estipulado pela legislação onde é colocado no mercado, iniciando-se a partir da data de compra, contra defeitos de fabrico e/ou mão-de-obra. A falta de conformidade que se manifeste nesse prazo, presume-se existente à data da compra. Decorrido este prazo cabe ao cliente provar que a falta de conformidade já existia à data da entrega.
2. Se, durante o período de garantia, o produto apresentar qualquer defeito, em situação de utilização normal, o comprador deverá entrar em contacto com o estabelecimento vendedor e remeter o aparelho para o local por este indicado.
3. A garantia só é válida mediante a apresentação da fatura comprovativa da compra e do certificado de garantia preenchido (indicando a data de aquisição, o nome do revendedor, a referência do modelo, sendo ainda recomendada a indicação do número de série e número do lote).
4. O importador/vendedor reserva-se o direito de recusar assistência em garantia no caso de as referidas informações terem sido apagadas ou alteradas após a compra original do produto.
5. A responsabilidade do importador/vendedor inclui nomeadamente os custos da reparação e/ou substituição da unidade coberta pela garantia com a reserva do direito de substituir por um produto equivalente, nos casos em que não seja possível a sua reparação.
6. A garantia não é aplicável a problemas que não estejam diretamente relacionados com defeitos de material, conceção ou mão-de-obra.
7. Este produto é um eletrodoméstico e destina-se apenas a uso doméstico. A garantia perderá validade se o produto for usado para fins profissionais.
8. A garantia não cobre danos causados por uso incorreto, instalação incorreta, derramamento, fatores externos ou danos intencionais.
9. A garantia não cobre danos resultantes de quedas, uso de força excessiva, golpes, exposição a condições ambientais extremas ou deterioração causada pelo uso normal de peças plásticas ou teclados, bem como pelo uso de baterias diferentes das especificadas neste manual.
10. A garantia não cobre a instalação e programação por parte do revendedor. Em particular, não poderão ser aceites reclamação para instalação e programação gratuita por parte do revendedor.
11. A garantia não cobre deficiências que prejudicam de forma insignificante o funcionamento do aparelho. Outros custos, tais como a instalação, transporte e/ou deslocação de técnicos estão expressamente excluídos da garantia.
12. A aplicabilidade da garantia pressupõe que o aparelho seja enviado ao estabelecimento vendedor ou para o local por este indicado, completo e em embalagem bem protegida (se possível na sua embalagem original) e acompanhado da respetiva folha ou cartão de garantia, devidamente preenchida e da prova de compra.
13. Se após a verificação, se concluir que não existem motivos para a reclamação, ou que o produto não apresenta defeitos, os custos inerentes serão imputados ao cliente, estando o revendedor autorizado a cobrar esses custos ao cliente.
14. A garantia perderá validade, quando apresente sinais de que alguma pessoa não autorizada tenha tentado efetuar reparações, modificações ou substituições de peças no aparelho.
15. As reparações realizadas após o final do período de garantia estão sujeitas a custos
16. Esta garantia não afeta os seus direitos legais que possa ter como consumidor ao abrigo da legislação nacional aplicável que rege a compra de produtos onde o produto é vendido.

### 17. Período de Garantia:

**Países da União Europeia** - aplicam-se as Diretivas Europeias (EU) 2019/771 e (EU) 2019/770 relativa a certos aspetos dos contratos de compra e venda de bens móveis e transpostas para as legislações nacionais dos respetivos países.

**Outros países** - aplica-se a legislação nacional sobre os direitos do consumidor do respetivo país. Não existindo legislação oficial, a garantia será aplicada segundo o critério do importador que coloca o produto no mercado ou do estabelecimento vendedor.

# Español

## Estimado cliente

Gracias por elegir un producto HÆGER.

Los productos HÆGER están diseñados para el bienestar de los consumidores, haciendo hincapié en los más altos estándares de calidad, funcionalidad y diseño. Estamos seguros de su satisfacción con la compra de este producto.

Suponemos que el usuario tiene conocimientos generales sobre el manejo de los aparatos eléctricos.

Antes de utilizar el aparato por primera vez, lea atenta y completamente este manual de instrucciones y los consejos de seguridad, familiarizándose completamente con el aparato. Conserve estas instrucciones para futuras consultas y entréguelas a quien pueda adquirir el aparato en una fecha futura.

## Uso previsto

Este aparato está destinado únicamente al secado de tejidos que hayan sido lavados con agua y exclusivamente para uso doméstico.

El dispositivo no está diseñado para uso comercial. Deben observarse las normas de prevención de accidentes generalmente reconocidas y las instrucciones de seguridad adjuntas.

Realice únicamente las actividades descritas en estas instrucciones de uso. Cualquier otro uso es mal uso no autorizado. El fabricante no se hace responsable de los daños resultantes de esto.

## Consejos y advertencias de seguridad

**Guarde este manual en un lugar seguro, con la garantía y el recibo de venta. Las medidas de seguridad tienen lo objetivo de reducir el riesgo de incendios, descargas eléctricas y lesiones personales cuando está correctamente conectado.**

- El dispositivo solo se puede utilizar si se encuentra en perfecto estado de funcionamiento. Si el dispositivo o una parte del mismo está defectuoso, debe retirarse del servicio y desecharse adecuadamente.
- ¡No utilice el dispositivo en áreas con riesgo de explosión o cerca de líquidos o gases inflamables!
- No utilice ningún dispositivo en el que el interruptor de encendido/apagado no funcione correctamente.
- ¡Mantenga a los niños alejados del dispositivo! Mantenga el dispositivo a salvo de niños y personas no autorizadas.
- No sobrecargue el dispositivo. Utilice el dispositivo únicamente para los fines para los que está destinado.
- Asegúrese de que los niños no jueguen con el dispositivo.

- Respete siempre las normas nacionales e internacionales vigentes en materia de seguridad, salud y trabajo.
- El dispositivo solo se puede conectar a una toma de corriente con un contacto de protección debidamente instalado.
- Antes de conectar el dispositivo, debe asegurarse de que la conexión a la red coincida con los datos de conexión del dispositivo.
- El voltaje de entrada de este producto es 220-240V~, 50-60Hz. Antes de encender, asegúrese de que la tensión eléctrica y la frecuencia del circuito correspondan a las indicadas en el aparato.
- La protección debe proporcionarse con un disyuntor de corriente residual (interruptor FI) con una corriente residual nominal de no más de 30 mA.
- ¡No toque el enchufe de red con las manos mojadas!
- Tire siempre del enchufe de red por el enchufe, no por el cable.
- No doble, aplaste, tire ni pase por encima del cable de alimentación; Protéjalo de los bordes afilados, el aceite y el calor.
- No levante el dispositivo por el cable ni haga un mal uso del cable.
- Compruebe el enchufe y el cable antes de cada uso.
- Si el cable de alimentación está dañado, desenchúfelo inmediatamente. Nunca utilice el dispositivo con un cable de alimentación dañado.
- El enchufe de red siempre debe estar desconectado cuando no esté en uso.
- Antes de enchufar el enchufe de red, asegúrese de que el dispositivo esté apagado.
- Siempre apague el dispositivo antes de sacar el enchufe de red.
- Desactive el dispositivo durante el transporte.
- Si el cable de alimentación de este dispositivo está dañado, debe ser reemplazado por el fabricante o su servicio al cliente o una persona calificada similar para evitar peligros.
- Tenga cuidado con los cables y las líneas de gas y agua cuando taladre paredes, techos o pisos.
- El ambiente debe estar libre de sustancias altamente inflamables o explosivas.
- El dispositivo no debe utilizarse al aire libre.
- El dispositivo no debe colocarse directamente debajo de un enchufe de pared.
- No utilice adaptadores ni cables de extensión.
- **Es necesaria una estrecha supervisión cuando cualquier aparato es utilizado por niños o cerca de ellos. Los niños deben ser supervisados para asegurarse de que no jueguen con el aparato.**
- **Este aparato no debe ser utilizado por niños de 0 a 8 años. Este aparato puede ser utilizado por niños a partir de los 8 años y por personas con capacidades físicas, sensoriales o mentales reducidas, o que no tengan**

experiencia ni conocimientos, si son supervisados o instruidos en el uso del aparato de forma segura y entienden los riesgos implicados. Los niños no pueden jugar con el aparato. Mantenga el aparato y el cable fuera del alcance de los niños menores de 8 años.

- Los niños no podrán realizar la limpieza ni el mantenimiento a menos que tengan más de 8 años y cuenten con supervisión.
- Los niños menores de 3 años deben mantenerse alejados, a menos que sean supervisados continuamente.
- Los niños de 3 años y menos de 8 años solo deben encender / apagar el aparato siempre que lo hayan colocado o instalado en la posición de funcionamiento normal prevista y que hayan recibido supervisión o instrucciones sobre el uso del artefacto de forma segura y comprender los peligros involucrados. Los niños de 3 años y menores de 8 años no deben enchufar, regular y limpiar el electrodoméstico ni realizar tareas de mantenimiento por parte del usuario.
- **PRECAUCIÓN:** algunas partes de este producto pueden calentarse mucho y causar quemaduras. Se debe prestar especial atención a la presencia de niños y personas vulnerables.



### ¡Precaución!

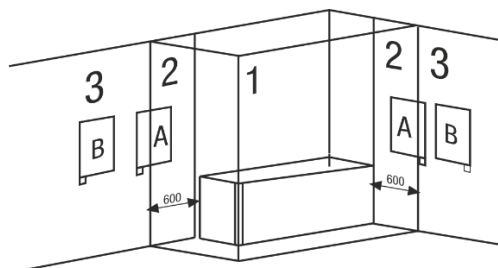
Este toallero eléctrico ha sido precargado con una cantidad precisa de agua especial + anticongelante. Las reparaciones que requieran abrir el contenedor solo deben ser realizadas por el fabricante o su agente de servicio, a quien se debe contactar en caso de fuga.

## Descripción de los elementos (Fig-1)

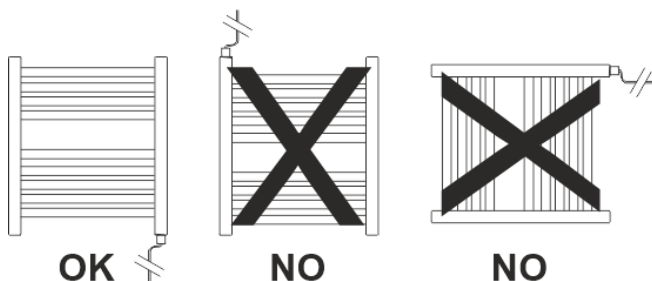
1 – Toallero 700*400	2 – 2x tapones ciegos G1/2
3 – 1x tapón de ventilación de aire G1/2	4 – Elemento calefactor
5 – 4x Soporte de plástico $\phi 29 \times 52,5$	6 – 4x tornillos M6x20
7 – 4x tornillos ST4.8x60mm	8 – Tornillo de fijación M5x12
9 – 4x arandela $\phi 16 \times \phi 6 \times 1,4$	10 – 4x Soportes $\phi 28 \times 34$
11 – 4x tacos $\phi 8 \times 64 \text{mm}$	

## Instalación

1. La instalación debe ser realizada por un profesional cualificado u otra persona totalmente cualificada. Debe instalarse de acuerdo con las prácticas comerciales normales y de conformidad con la legislación nacional (directivas y reglamentos de electricidad de la UE sobre instalaciones especiales y lugares de operación, incluidos baños, cabinas de ducha (IEC 60364-7-701).
2. Asegúrese de contar con el equipo necesario para su protección personal antes de iniciar la instalación.
3. Comprueba que has preparado todos los componentes indicados en la caja de accesorios y que el tamaño y acabado son los que necesitas, antes de comenzar la instalación.
4. La instalación, manipulación o uso inadecuado del secatoallas será motivo inmediato de extinción de la garantía ofrecida por el producto.
5. El producto se puede instalar de forma segura en las Zonas 3. Para instalaciones en las Zonas 2 (consulte el esquema a continuación), tenga en cuenta las siguientes limitaciones:
  - En baños, el producto nunca debe instalarse de manera que el panel de control pueda ser tocado por alguien en la bañera o duchándose. El panel de control debe ubicarse a una distancia mínima de 600 mm de cualquier área húmeda. El cuerpo del producto se puede colocar en las Zonas 2 si el panel de control se encuentra dentro de la Zona 3.
  - En locales húmedos la fuente de alimentación debe instalarse a una altura de al menos 25 cm del suelo (baños y cocinas).
  - El producto debe estar conectado a tierra.



**IMPORTANTE** - Este producto nunca debe instalarse con su panel de control en la parte superior. Este producto no debe instalarse horizontalmente. Durante la instalación, use cuñas para que el panel de control no esté en contacto con el piso.



## Montaje en pared



**¡PELIGRO! ¡Peligro de vida!** Al perforar, mantenga una distancia suficiente de las líneas eléctricas que estén cerca de los agujeros a perforar.

Existe un alto riesgo de incendio o descarga eléctrica potencialmente mortal.



**¡ATENCIÓN! ¡Daño a la propiedad!** Al perforar, mantenga una distancia suficiente de las tuberías de agua que estén cerca de los agujeros que se van a perforar. Existe el riesgo de daños por agua.

1. Elija la parte correcta de la pared.
2. Antes de instalar el calentador de toallas, marque los lugares donde desea fijar los soportes de pared a la pared y taladre los orificios en la pared con un taladro adecuado. (Figura-2, p1-p2)
3. Inserte los tacos (11) en los orificios realizados y atornille el sujetador de plástico (10) a la pared con la arandela (9) y el tornillo de 4,8 x 60 mm (7). (Fig-2, p3)
4. Atornille el soporte (5) con el tornillo (6) (Fig-2, 4-5).
5. Inserte la pieza ensamblada en el sujetador de plástico (10) y fjela bien con el tornillo M5x12 (8). (Figura 2, 6-7)



## Operación

**¡Compruebe antes de encender!**



**¡PELIGRO! ¡Riesgo de lesiones!** El dispositivo solo se puede poner en funcionamiento si no se encuentran errores durante la verificación. Si una pieza está defectuosa, debe reemplazarse antes del próximo uso.

**Compruebe el estado seguro del dispositivo:**

- Comprobar si hay defectos visibles.
- Compruebe si todas las piezas del dispositivo están bien montadas.

**Conexión eléctrica**

Conecte el cable de red a la toma de pared. El cable está equipado con un interruptor ON/OFF. Cuando se enciende el interruptor, el botón se enciende.

**Modo de funcionamiento**

El elemento calefactor está equipado con un sensor de líquido que se enciende cuando la temperatura es inferior a 55°C y se detiene automáticamente cuando alcanza los 70°C con una tolerancia de  $\pm 5^\circ\text{C}$ .

## Limpieza del radiador



**¡PELIGRO! ¡Riesgo de lesiones!** Extraiga siempre el enchufe de red antes de trabajar en el dispositivo.

El producto no requiere ningún tipo de mantenimiento. Recomendamos mantener limpias todas las partes del producto (detrás, debajo, aletas superiores, etc.). No utilice ningún producto abrasivo en el cuerpo principal de acero. Límpielo con un paño húmedo y jabón de pH neutro, y el panel de control con un paño seco.

## Datos técnicos:

	TW-15C.001A
Tensión nominal	220-240V~
Frecuencia de entrada nominal	50-60Hz
Potencia nominal	150W
Temperatura de funcionamiento	55 °C – 70 °C
Clase de protección	Clase I
Dimensiones	700 x 400 mm

## Conformidad CE

Este producto ha sido probado y producido de acuerdo con las normativas actuales y pertinentes, tales como:



- Directiva de compatibilidad electromagnética 2014/30/EU,
- Directiva de baja tensión Directiva (LVD) 2014/35/EU,
- Directiva RoHS y su modificación EU 2015/863,

y ha sido construido de acuerdo con las últimas normas de seguridad.

La marca CE certifica este producto con todas las directivas relevantes relacionadas.

## Disposición – La política ambiental

### Embalaje



El material de embalaje es totalmente reciclable, como lo indica el símbolo correspondiente. Para su eliminación, respete las normas locales. No deje el material de embalaje (bolsas de plástico, trozos de poliestireno, etc.) al alcance de los niños; puede ser peligroso.

### Eliminación

**Este aparato lleva el marcado CE en conformidad con la Directiva 2012/19/EU del Parlamento Europeo y del Consejo sobre residuos de aparatos eléctricos y electrónicos (RAEE).**

La correcta eliminación de este producto evita consecuencias negativas para el medioambiente y la salud.



Este símbolo en el producto o en los documentos que acompañan el producto, indica que este aparato no puede ser tratado como residuos domésticos. Es su lugar se debe entregar al punto de recogida para el reciclaje de equipos eléctricos y electrónicos.

Para eliminación debe realizarse de conformidad con las normas medioambientales para eliminación de residuos. Entrégalo a un vertedero autorizado, no lo deje ni siquiera por unos días, ya que es potencialmente peligroso para los niños.

Para obtener información más detallada sobre el tratamiento, recuperación y reciclaje de este producto, póngase en contacto con el ayuntamiento, su servicio de desechos del hogar o la tienda donde adquirió el producto.

## Términos y condiciones de la garantía

1. El producto está garantizado por el período estipulado por la legislación donde se comercializa, a partir de la fecha de compra, contra defectos de fabricación y/o mano de obra. La falta de conformidad que se manifieste dentro de este plazo, presume que existe en la fecha de compra. Después de este período, corresponde al cliente demostrar que la falta de conformidad ya existía en el momento de la entrega.
2. Si, durante el período de garantía, el producto es defectuoso en uso normal, el comprador debe ponerse en contacto con el establecimiento vendedor y enviar el electrodoméstico al lugar indicado por el vendedor.
3. La garantía solo es válida previa presentación de la factura que acredite la compra y el certificado de garantía completado (indicando la fecha de compra, el nombre del distribuidor, la referencia del modelo, y también se recomienda indicar el número de serie y el número de lote).
4. El importador / vendedor se reserva el derecho de rechazar la asistencia de garantía en caso de que dicha información haya sido eliminada o alterada después de la compra original del producto.
5. La responsabilidad del importador/vendedor incluirá, entre otras cosas, los costes de reparación y/o sustitución de la unidad cubierta por la garantía con la reserva del derecho a sustituirla por un producto equivalente, cuando no sea posible repararla.
6. La garantía no se aplica a problemas que no estén directamente relacionados con defectos de material, diseño o mano de obra.
7. Este producto es un electrodoméstico y está destinado solo para uso doméstico. La garantía se anula si el producto se utiliza con fines profesionales.
8. La garantía no cubre los daños causados por mal uso, instalación inadecuada, derrames, factores externos o daños intencionales.
9. La garantía no cubre los daños resultantes de caídas, uso de fuerza excesiva, golpes, exposición a condiciones ambientales extremas o deterioro causado por el uso normal de piezas de plástico o teclados, así como el uso de baterías distintas a las especificadas en este manual.
10. La garantía no cubre la instalación y programación por parte del distribuidor. En particular, no se aceptará ninguna reclamación de instalación y programación gratuita por parte del revendedor.
11. La garantía no cubre deficiencias que perjudiquen insignificadamente el funcionamiento del aparato. Otros costes, como la instalación, el transporte y el desplazamiento del técnico están expresamente excluidos de la garantía.
12. La aplicabilidad de la garantía presupone que el aparato sea enviado al establecimiento vendedor o al lugar indicado por éste, completo y en un embalaje bien protegido (si es posible en su embalaje original) y acompañado de la respectiva hoja o tarjeta de garantía, debidamente cumplimentado y comprobante de compra.
13. Si después de la verificación, se descubre que no hay razones para la reclamación, o que el producto no es defectuoso, los costos inherentes se imputarán al cliente, y el distribuidor está autorizado a cobrar esos costos al cliente.
14. La garantía quedará anulada cuando presente indicios de que una persona no autorizada ha intentado realizar reparaciones, modificaciones o sustitución de piezas en el aparato.
15. Las reparaciones realizadas una vez finalizado el período de garantía incurren en costes.
16. Esta garantía no afecta a sus derechos legales que pueda tener como consumidor en virtud de la legislación nacional aplicable que rige la compra de productos donde se vende el producto.

### 17. Período de garantía:

**Países de la Unión Europea** - Las Directivas Europeas (UE) 2019/771 y (UE) 2019/770 se aplican a ciertos aspectos de los contratos de compraventa de bienes muebles y se transponen a las legislaciones nacionales de sus países.

**Otros países:** se aplica la legislación nacional sobre los derechos de los consumidores en su país. En caso de que no exista legislación oficial, la garantía se aplicará a discreción del importador que introduzca el producto en el mercado o del establecimiento vendedor.

# Français

## Cher Client

Merci d'avoir choisi un produit HÆGER.

Les produits HÆGER sont conçus pour le bien-être du consommateur, en insistant sur les plus hauts standards de qualité, de fonctionnalité et de design. Nous sommes certains de leur satisfaction à l'achat de ce produit.

Nous supposons que l'utilisateur détient des connaissances générales sur l'emploi des appareils électroménagers.

Avant la première mise en service, lisez attentivement le présent mode d'emploi et les instructions de sécurité et familiarisez-vous avec les fonctions de l'appareil. Conservez le présent mode d'emploi et le cas échéant, transmettez-le à des tiers.

## Utilisation prévue

Cet appareil est uniquement destiné au séchage de tissus lavés à l'eau et exclusivement à un usage domestique.

L'appareil n'est pas conçu pour un usage commercial. Les règles de prévention des accidents généralement reconnues et les consignes de sécurité ci-jointes doivent être respectées.

Effectuez uniquement les activités décrites dans ces instructions d'utilisation. Toute autre utilisation est une utilisation abusive non autorisée. Le fabricant n'est pas responsable des dommages qui en résultent.

## Consignes de sécurité importantes

**S'il vous plaît garder ce manuel d'instructions dans un endroit sûr, avec la carte de garantie, facture d'achat et de carton pour référence future. Les précautions de sécurité jointe ici en réduire le risque d'incendie, d'électrocution et de blessures lorsqu'il est correctement respecté.**

- L'appareil ne peut être utilisé que s'il est en parfait état de fonctionnement. Si l'appareil ou une partie de celui-ci est défectueux, il doit être mis hors service et éliminé de manière appropriée.
- N'utilisez pas l'appareil dans des zones à risque d'explosion ou à proximité de liquides ou de gaz inflammables !
- N'utilisez aucun appareil sur lequel l'interrupteur marche/arrêt ne fonctionne pas correctement.
- Tenez les enfants éloignés de l'appareil ! Gardez l'appareil à l'abri des enfants et des personnes non autorisées.
- Ne surchargez pas l'appareil. N'utilisez l'appareil qu'aux fins auxquelles il est destiné.
- Assurez-vous que les enfants ne jouent pas avec l'appareil.

- Respectez toujours les réglementations nationales et internationales en vigueur en matière de sécurité, de santé et de travail.
- L'appareil ne peut être branché qu'à une prise avec un contact de protection correctement installé.
- Avant de brancher l'appareil, il faut s'assurer que la connexion secteur correspond aux données de connexion de l'appareil.
- La tension d'entrée de ce produit est de 220-240V~, 50-60Hz. Avant la mise sous tension, assurez-vous que la tension électrique et la fréquence du circuit correspondent à celles indiquées sur l'appareil.
- La protection doit être assurée par un interrupteur différentiel (interrupteur FI) avec un courant résiduel nominal ne dépassant pas 30 mA.
- Ne touchez pas la fiche secteur avec les mains mouillées !
- Tirez toujours la fiche secteur par la fiche et non par le câble.
- Ne pliez pas, n'écrasez pas, ne tirez pas et ne courez pas sur le câble d'alimentation ; protéger des arêtes vives, de l'huile et de la chaleur.
- Ne soulevez pas l'appareil par le câble et n'utilisez pas le câble de toute autre manière.
- Vérifiez la fiche et le câble avant chaque utilisation.
- Si le câble secteur est endommagé, débranchez immédiatement la fiche secteur. N'utilisez jamais l'appareil avec un cordon d'alimentation endommagé.
- La fiche secteur doit toujours être débranchée lorsqu'elle n'est pas utilisée.
- Avant de brancher la fiche secteur, assurez-vous que l'appareil est éteint.
- Éteignez toujours l'appareil avant de débrancher la fiche secteur.
- Mettez l'appareil hors tension pendant le transport.
- Si le cordon d'alimentation de cet appareil est endommagé, il doit être remplacé par le fabricant ou son service client ou une personne de qualification similaire afin d'éviter tout danger.
- Faites attention aux câbles et aux conduites de gaz et d'eau lorsque vous percez dans les murs, les plafonds ou les planchers.
- L'environnement doit être exempt de substances hautement inflammables ou explosives.
- L'appareil ne doit pas être utilisé à l'extérieur.
- Le radiateur ne doit pas être placé directement sous une prise murale.
- N'utilisez pas d'adaptateurs ou de rallonges.

- Une surveillance étroite est nécessaire lorsqu'un appareil est utilisé par ou à proximité d'enfants. Les enfants doivent être surveillés pour s'assurer qu'ils ne jouent pas avec l'appareil.
- L'appareil ne doit pas être utilisé par des enfants de moins de 8 ans. Cet appareil peut être utilisé par des enfants de 8 ans ou plus et des personnes présentant un handicap physique, sensoriel ou mental voire ne disposant pas des connaissances et de l'expérience nécessaires en cas de surveillance ou d'instructions sur l'usage de cet appareil en toute sécurité et de compréhension des risques impliqués. Les enfants ne doivent pas jouer avec l'appareil. Maintenez l'appareil et son cordon d'alimentation hors de portée des enfants de moins de 8 ans.
- Le nettoyage et la maintenance utilisateur ne doivent pas être confiés à des enfants sauf s'ils ont 8 ans ou plus et sont sous surveillance.
- Les enfants de moins de 3 ans devraient être tenus à l'écart, sauf s'ils sont surveillés en permanence.
- Les enfants âgés de 3 ans et moins de 8 ans ne doivent allumer / éteindre l'appareil que s'il a été placé ou installé dans sa position normale de fonctionnement prévue et qu'ils ont reçu une surveillance ou des instructions concernant l'utilisation de l'appareil en toute sécurité et comprendre les dangers impliqués. Les enfants âgés de 3 ans et moins de 8 ans ne doivent pas brancher, régler et nettoyer l'appareil ni effectuer l'entretien par l'utilisateur.
- **ATTENTION** - Certaines parties de ce produit peuvent devenir très chaudes et provoquer des brûlures. Une attention particulière doit être accordée aux endroits où les enfants et les personnes vulnérables sont présents.



## **Attention !**

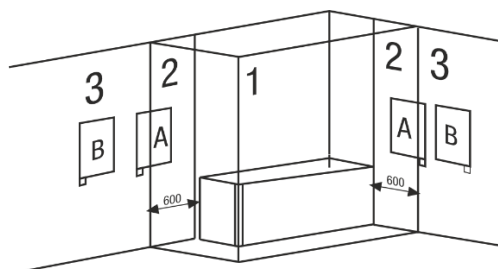
Ce sèche-serviettes électrique a été prérempli avec une quantité précise d'eau spéciale + antigel. Les réparations qui nécessitent l'ouverture du conteneur ne doivent être effectuées que par le fabricant ou son agent de service, qui doit être contacté en cas de fuite.

## Description des éléments (Fig-1)

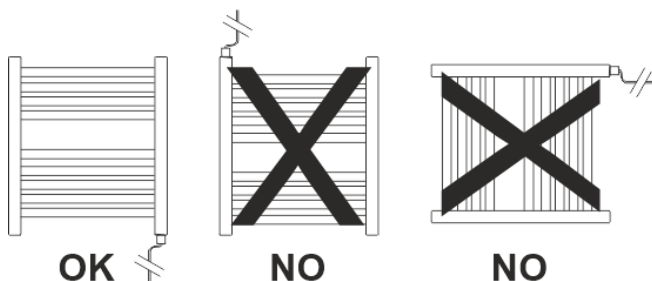
1 – Porte-serviettes 700*400	2 – 2x bouchons vierges G1/2
3 – 1x bouchon de purge d'air G1/2	4 – Élément chauffant
5 – 4x Support en plastique $\phi 29 \times 52,5$	6 – 4x vis M6x20
7 – 4x vis ST4.8x60mm	8 – Vis de fixation M5x12
9 – 4x rondelle $\phi 16 \times \phi 6 \times 1,4$	10 – 4x Support $\phi 28 \times 34$
11 – 4x prise murale $\phi 8 \times 64 \text{mm}$	

## Installation

1. L'installation doit être effectuée par un professionnel qualifié ou une autre personne pleinement qualifiée. Il doit être installé conformément aux pratiques commerciales normales et conformément à la législation nationale (directives européennes sur l'électricité et réglementations concernant les installations spéciales et les lieux d'exploitation, y compris les salles de bains, les cabines de douche (CEI 60364-7-701).
2. Assurez-vous d'avoir l'équipement nécessaire pour votre protection personnelle avant de commencer l'installation.
3. Vérifiez que vous avez préparé tous les composants indiqués dans la boîte d'accessoires et que la taille et la finition sont celles dont vous avez besoin, avant de commencer l'installation.
4. L'installation, la manipulation ou l'utilisation inappropriée du chauffe-serviettes sera une raison immédiate de la résiliation de la garantie offerte pour le produit.
5. Le produit peut être installé en toute sécurité dans les zones 3. Pour les installations dans les zones 2 (vérifiez le schéma ci-dessous), veuillez tenir compte des limitations suivantes :
  - Dans les salles de bains, le produit ne doit jamais être installé de manière à ce que le panneau de commande puisse être touché par quelqu'un dans la baignoire ou sous la douche. Le panneau de commande doit être situé à au moins 600 mm de distance de toute zone humide. Le corps du produit peut être placé dans les zones 2 si le panneau de commande est situé à l'intérieur de la zone 3.
  - Dans les locaux humides, la source d'alimentation doit être installée à une hauteur d'au moins 25 cm au-dessus du sol (salles de bains et cuisines).
  - Le produit doit être mis à la terre.



**IMPORTANT - Ce produit ne doit jamais être installé avec son panneau de commande vers le haut. Ce produit ne doit pas être installé horizontalement. Lors de l'installation, utilisez des cales afin que le panneau de commande ne soit pas en contact avec le sol.**



## Montage mural



**DANGER ! Danger de mort !** Lors du forage, maintenez une distance suffisante par rapport aux lignes électriques proches des trous à percer.

Il existe un risque élevé d'incendie ou d'électrocution potentiellement mortelle.



**ATTENTION ! Dommages à la propriété !** Lors du forage, gardez une distance suffisante des conduites d'eau qui se trouvent à proximité des trous à percer. Il y a un risque de dégâts des eaux.

1. Choisissez la bonne partie du mur.
2. Avant d'installer le sèche-serviettes, marquez les endroits où vous souhaitez fixer les supports muraux au mur et percez les trous dans le mur avec une perceuse appropriée (Fig-2, p1-p2).
3. Insérez les chevilles (11) dans les trous pratiqués et vissez la fixation en plastique (10) au mur avec la rondelle (9) et la vis 4,8 x 60 mm (7) (Fig-2, p3).
4. Visser le support (5) avec la vis (6) (Fig-2, 4-5).
5. Insérez la pièce assemblée dans la fixation en plastique (10) et fixez bien avec la vis M5x12 (8) (Fig2, 6-7).



## Opération

Vérifiez avant d'allumer !



**DANGER ! Risqué de blessure !** L'appareil ne peut être mis en service que si aucune erreur n'est détectée lors du contrôle. Si une pièce est défectueuse, elle doit être remplacée avant la prochaine utilisation.

**Vérifiez l'état de sécurité de l'appareil :**

- Vérifiez s'il y a des défauts visibles.
- Vérifiez si toutes les pièces de l'appareil sont solidement fixées.

**Connexion électrique**

Branchez le câble d'alimentation à la prise murale. Le câble est équipé d'un interrupteur ON/OFF. Lorsque le commutateur est activé, le bouton est allumé.

**Mode de fonctionnement**

L'élément chauffant est équipé d'un capteur de liquide qui s'allume lorsque la température est inférieure à 55°C et s'arrête automatiquement lorsqu'elle atteint 70°C avec une tolérance de  $\pm 5^\circ\text{C}$ .

## Entretien et Nettoyage



**DANGER ! Risqué de blessure !** Débranchez toujours la fiche secteur avant de travailler sur l'appareil.

Le produit ne nécessite aucun type d'entretien. Nous recommandons que toutes les parties du produit soient maintenues propres (derrière, dessous, ailettes supérieures, etc.). N'utilisez aucun produit abrasif sur le corps principal en acier. Nettoyez-le avec un chiffon humide et un savon au pH neutre, et le panneau de commande avec un chiffon sec.

## Données techniques

	TW-15C.001A
Tension nominale	220-240V~
Fréquence d'entrée nominale	50-60Hz
Puissance nominale	150W
Température de fonctionnement	55 °C – 70 °C
Classe de protection	Classe I
Dimensions	700 x 400 mm

## Conformité CE

Ce produit a été testé et produit selon toutes les directives européennes actuelles applicables, tels que :



- La compatibilité électromagnétique Directive 2014/30/EU,
- Directive Basse Tension Directive (LVD) 2014/35/EU,
- Directive RoHS avec ses modifications EU 2015/863,

et a été construit en conformité avec les dernières normes de sécurité.

Le marquage CE atteste ce produit à toutes les directives relevant.

## Élimination – La politique environnementale

### Emballage



L'emballage est entièrement recyclable et porte le symbole du recyclage. Pour la mise au rebut, suivez les réglementations locales en vigueur. Les matériaux d'emballage (sachets en plastique, éléments en polystyrène, etc.) doivent être tenus hors de portée des enfants, car ils constituent une source potentielle de danger.

### Mise au rebut

**Cet appareil porte le symbole du recyclage conformément à la Directive Européenne 2012/19/EU concernant les Déchets d'Équipements Électriques et Électroniques (DEEE ou WEEE).**

En procédant correctement à la mise au rebut de cet appareil, vous contribuerez à empêcher toute conséquence nuisible pour l'environnement et la santé de l'homme.



Ce symbole présent sur l'appareil ou sur la documentation qui l'accompagne indique que ce produit ne peut en aucun cas être traité comme déchet ménager.

Il doit plutôt être remis au point de collecte approprié pour le recyclage des équipements électriques et électroniques.

L'élimination doit être effectuée conformément aux règlements environnementaux locaux pour l'élimination des déchets. Pour des informations plus détaillées sur le traitement, la récupération et le recyclage de ce produit, s'il vous plaît contacter votre bureau compétent de votre commune, votre service d'élimination des déchets ménagers ou directement à votre revendeur où vous avez acheté le produit.

## Termes et conditions de la garantie

1. Le produit est garanti pour la période stipulée par la législation où il est mis sur le marché, à compter de la date d'achat, contre les défauts de fabrication et/ou de main d'œuvre. Le défaut de conformité manifesté dans ce délai est présumé exister à la date d'achat. Passé ce délai, il appartient au client de prouver que le défaut de conformité existait déjà au moment de la livraison.
2. Si, pendant la période de garantie, le produit est défectueux en utilisation normale, l'acheteur doit contacter l'établissement de vente et envoyer l'appareil à l'endroit indiqué par le vendeur.
3. La garantie n'est valable que sur présentation de la facture prouvant l'achat et du certificat de garantie complété (indiquant la date d'achat, le nom du revendeur, la référence du modèle, et il est également recommandé d'indiquer le numéro de série et le numéro de lot).
4. L'importateur/vendeur se réserve le droit de refuser l'assistance de garantie dans le cas où ces informations ont été supprimées ou modifiées après l'achat initial du produit.
5. La responsabilité de l'importateur/vendeur comprend, entre autres, les frais de réparation et/ou de remplacement de l'unité couverte par la garantie avec la réserve du droit de la remplacer par un produit équivalent, lorsqu'il n'est pas possible de la réparer.
6. La garantie ne s'applique pas aux problèmes qui ne sont pas directement liés à des défauts de matériau, de conception ou de fabrication.
7. Ce produit est un appareil et est destiné à un usage domestique uniquement. La garantie expirera si le produit est utilisé à des fins professionnelles.
8. La garantie ne couvre pas les dommages causés par une mauvaise utilisation, une mauvaise installation, un déversement, des facteurs externes ou des dommages intentionnels.
9. La garantie ne couvre pas les dommages résultant de chutes, de l'utilisation d'une force excessive, des coups, de l'exposition à des conditions environnementales extrêmes ou de la détérioration causée par l'utilisation normale de pièces en plastique ou de claviers, ainsi que l'utilisation de batteries autres que celles spécifiées dans ce manuel.
10. La garantie ne couvre pas l'installation et la programmation par le concessionnaire. En particulier, aucune réclamation pour l'installation et la programmation gratuite par le revendeur ne peut être acceptée.
11. La garantie ne couvre pas les défauts qui nuisent de manière insignifiante au fonctionnement de l'appareil. Les autres frais, tels que l'installation, le transport et le déplacement du technicien sont expressément exclus de la garantie.
12. L'applicabilité de la garantie suppose que l'appareil soit envoyé à l'établissement du vendeur ou à l'endroit indiqué par celui-ci, complet et dans un emballage bien protégé (si possible dans son emballage d'origine) et accompagné de la feuille ou de la carte de garantie respective, dûment rempli et d'une preuve d'achat.
13. Si, après vérification, il s'avère qu'il n'y a aucune raison pour la réclamation, ou que le produit n'est pas défectueux, les coûts inhérents seront imputés au client, et le revendeur est autorisé à facturer ces coûts au client.
14. La garantie sera annulée lorsqu'elle montre des signes qu'une personne non autorisée a tenté d'effectuer des réparations, des modifications ou le remplacement de pièces sur l'appareil.
15. Les réparations effectuées après la fin de la période de garantie sont soumises à des frais.
16. Cette garantie n'affecte pas vos droits légaux que vous pouvez avoir en tant que consommateur en vertu de la législation nationale applicable régissant l'achat de produits lorsque le produit est vendu.
17. **Période de garantie :**

**Pays de l'Union Européenne** - Les directives européennes (UE) 2019/771 et (UE) 2019/770 s'appliquent à certains aspects des contrats d'achat et de vente de biens meubles et transposées dans les législations nationales de leurs pays.

**Autres pays** - la législation nationale sur les droits des consommateurs dans leur pays s'applique. En l'absence de législation officielle, la garantie est appliquée à la discrétion de l'importateur qui met le produit sur le marché ou de l'établissement du vendeur.

# Ελληνικά

## Αγαπητέ πελάτη

Σας ευχαριστούμε που επιλέξατε ένα προϊόν HÆGER.

Τα προϊόντα HÆGER έχουν δημιουργηθεί για να σκέφτονται την ευημερία του καταναλωτή που προτιμούν υψηλά πρότυπα ποιότητας, λειτουργικότητας και άνεσης. Είμαστε σίγουροι ότι θα είστε ευχαριστημένοι με αυτήν τη συσκευή.

Υποθέτουμε ότι ο χρήστης είναι εξοικειωμένος με τις συνήθεις διαδικασίες χειρισμού οικιακών συσκευών.

Πριν χρησιμοποιήσετε τη συσκευή για πρώτη φορά, διαβάστε προσεκτικά και διεξοδικά αυτές τις οδηγίες λειτουργίας και τις συμβουλές ασφαλείας, εξοικειώνοντας πλήρως τη συσκευή. Κρατήστε αυτές τις οδηγίες για μελλοντική αναφορά και διαβιβάστε τις σε όποιον μπορεί να χρησιμοποιήσει τη συσκευή σε μελλοντική ημερομηνία.

## Προβλεπόμενη χρήση

Αυτή η συσκευή προορίζεται μόνο για το στέγνωμα υφασμάτων που έχουν πλυθεί σε νερό και αποκλειστικά για οικιακή χρήση.

Η συσκευή δεν έχει σχεδιαστεί για εμπορική χρήση. Πρέπει να τηρούνται οι γενικά αναγνωρισμένοι κανονισμοί πρόληψης ατυχημάτων και οι συνημμένες οδηγίες ασφαλείας.

Εκτελείτε μόνο δραστηριότητες που περιγράφονται σε αυτές τις οδηγίες χρήσης. Οποιαδήποτε άλλη χρήση είναι μη εξουσιοδοτημένη κακή χρήση. Ο κατασκευαστής δεν ευθύνεται για οποιαδήποτε ζημία προκύψει από αυτό.

## Σημαντικές οδηγίες ασφαλείας

**Φυλάξτε αυτό το εγχειρίδιο οδηγιών σε ασφαλές μέρος, μαζί με την κάρτα εγγύησης, την απόδειξη αγοράς και το κουτί για μελλοντική χρήση. Οι προφυλάξεις ασφαλείας που περιλαμβάνονται εδώ μειώνουν τον κίνδυνο πυρκαγιάς, ηλεκτροπληξίας και τραυματισμού όταν τηρούνται σωστά.**

- Η συσκευή επιτρέπεται να χρησιμοποιηθεί μόνο εάν είναι σε άριστη κατάσταση λειτουργίας. Εάν η συσκευή ή ένα μέρος της είναι ελαττωματικό, πρέπει να τεθεί εκτός λειτουργίας και να απορριφθεί σωστά.
- Μη χρησιμοποιείτε τη συσκευή σε χώρους όπου υπάρχει κίνδυνος έκρηξης ή κοντά σε εύφλεκτα υγρά ή αέρια!
- Μη χρησιμοποιείτε συσκευές στις οποίες ο διακόπτης on/off δεν λειτουργεί σωστά.
- Κρατήστε τα παιδιά μακριά από τη συσκευή! Κρατήστε τη συσκευή ασφαλή από παιδιά και μη εξουσιοδοτημένα άτομα.
- Μην υπερφορτώνετε τη συσκευή. Χρησιμοποιείτε τη συσκευή μόνο για τους σκοπούς για τους οποίους προορίζεται.
- Βεβαιωθείτε ότι τα παιδιά δεν παίζουν με τη συσκευή.
- Τηρείτε πάντα τους ισχύοντες εθνικούς και διεθνείς κανονισμούς ασφαλείας, υγείας και εργασίας.
- Η συσκευή επιτρέπεται να συνδεθεί μόνο σε πρίζα με σωστά τοποθετημένη προστατευτική επαφή.

- Πριν συνδέσετε τη συσκευή, πρέπει να βεβαιωθείτε ότι η σύνδεση δικτύου αντιστοιχεί στα δεδομένα σύνδεσης της συσκευής.
- Η τάση εισόδου αυτού του προϊόντος είναι 220-240V~, 50-60Hz. Πριν από την ενεργοποίηση, βεβαιωθείτε ότι η ηλεκτρική τάση και η συχνότητα του κυκλώματος αντιστοιχούν σε αυτές που υποδεικνύονται στη συσκευή.
- Η προστασία πρέπει να παρέχεται με διακόπτη διαρροής ρεύματος (διακόπτης FI) με ονομαστικό υπολειπόμενο ρεύμα όχι μεγαλύτερο από 30 mA.
- Μην αγγίζετε το φισ με βρεγμένα χέρια!
- Τραβάτε πάντα το φισ από το φισ και όχι το καλώδιο.
- Μην τσακίζετε, συνθλίβετε, τραβάτε ή περνάτε πάνω από το καλώδιο τροφοδοσίας. προστατεύστε από αιχμηρές άκρες, λάδι και θερμότητα.
- Μην σηκώνετε τη συσκευή από το καλώδιο και μην χρησιμοποιείτε με άλλον τρόπο το καλώδιο κατά τρόπο.
- Ελέγξτε το φισ και το καλώδιο πριν από κάθε χρήση.
- Εάν το καλώδιο τροφοδοσίας είναι κατεστραμμένο, βγάλτε αμέσως το φισ από την πρίζα. Μην χρησιμοποιείτε ποτέ τη συσκευή με κατεστραμμένο καλώδιο ρεύματος.
- Το φισ πρέπει πάντα να αποσυνδέεται όταν δεν χρησιμοποιείται.
- Πριν συνδέσετε το φισ, βεβαιωθείτε ότι η συσκευή είναι απενεργοποιημένη.
- Απενεργοποιείτε πάντα τη συσκευή πριν βγάλετε το φισ από την πρίζα.
- Απενεργοποιήστε τη συσκευή κατά τη μεταφορά.
- Εάν το καλώδιο τροφοδοσίας αυτής της συσκευής είναι κατεστραμμένο, πρέπει να αντικατασταθεί από τον κατασκευαστή ή το σέρβις πελατών του ή από παρόμοιο εξουσιοδοτημένο άτομο για την αποφυγή κινδύνων.
- Προσέξτε τα καλώδια και τις γραμμές αερίου και νερού όταν κάνετε διάτρηση σε τοίχους, οροφές ή δάπεδα.
- Το περιβάλλον πρέπει να είναι απαλλαγμένο από πολύ εύφλεκτες ή εκρηκτικές ουσίες.
- Η συσκευή δεν πρέπει να λειτουργεί σε εξωτερικούς χώρους.
- Ο θερμαντήρας δεν πρέπει να τοποθετείται ακριβώς κάτω από μια πρίζα τοίχου.
- Μην χρησιμοποιείτε προσαρμογείς ή καλώδια επέκτασης.
- **Απαιτείται στενή επίβλεψη όταν οποιαδήποτε συσκευή χρησιμοποιείται από ή κοντά σε παιδιά. Τα παιδιά θα πρέπει να επιβλέπονται ώστε να διασφαλίζεται ότι δεν παίζουν με τη συσκευή.**
- **Αυτή η συσκευή δεν πρέπει να χρησιμοποιείται από παιδιά από 0 έως 8 ετών. Αυτή η συσκευή μπορεί να χρησιμοποιηθεί από παιδιά ηλικίας από 8 ετών και άνω και άτομα με μειωμένες σωματικές, αισθητηριακές ή διανοητικές ικανότητες ή έλλειψη εμπειρίας και γνώσης, εάν τους έχουν δοθεί οδηγίες σχετικά με τη χρήση της συσκευής με ασφαλή τρόπο. και να κατανοήσουν τους κινδύνους που εμπεριέχονται. Τα παιδιά δεν πρέπει να παίζουν με τη συσκευή. Κρατήστε τη συσκευή και το καλώδιο της μακριά από παιδιά ηλικίας κάτω των 8 ετών.**

- Ο καθαρισμός και η συντήρηση από τον χρήστη δεν πρέπει να γίνονται από παιδιά κάτω των 8 ετών και υπό επίβλεψη.
- Παιδιά κάτω των 3 ετών θα πρέπει να μένουν μακριά εκτός εάν υπόκεινται σε συνεχή επίβλεψη.
- Παιδιά ηλικίας από 3 ετών και κάτω των 8 ετών θα πρέπει να ενεργοποιούν/απενεργοποιούν τη συσκευή μόνο υπό την προϋπόθεση ότι έχει τοποθετηθεί ή εγκατασταθεί στην προβλεπόμενη κανονική θέση λειτουργίας της και έχουν λάβει επίβλεψη ή οδηγίες σχετικά με τη χρήση της συσκευής με ασφαλή τρόπο και να κατανοήσουν τους κινδύνους που εμπεριέχονται. Τα παιδιά ηλικίας από 3 ετών και κάτω των 8 ετών δεν πρέπει να συνδέουν, να ρυθμίζουν και να καθαρίζουν τη συσκευή ή να πραγματοποιούν συντήρηση από τον χρήστη.
- ΠΡΟΣΟΧΗ — Ορισμένα μέρη αυτού του προϊόντος μπορεί να ζεσταθούν πολύ και να προκαλέσουν εγκαύματα. Ιδιαίτερη προσοχή πρέπει να δοθεί όπου υπάρχουν παιδιά και ευάλωτα άτομα.



## Προσοχή!

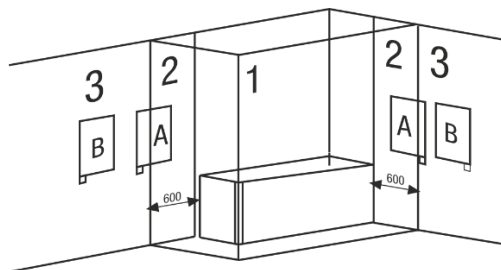
Αυτή η ηλεκτρική ράγα για πετσέτες έχει προγεμιστεί με ακριβή ποσότητα ειδικού νερού + αντιψυκτικό. Οι επισκευές που απαιτούν άνοιγμα του δοχείου θα πρέπει να πραγματοποιούνται μόνο από τον κατασκευαστή ή τον αντιπρόσωπο σέρβις του, με τον οποίο πρέπει να επικοινωνήσετε σε περίπτωση διαρροής.

## Περιγραφή των στοιχείων (Εικ-1)

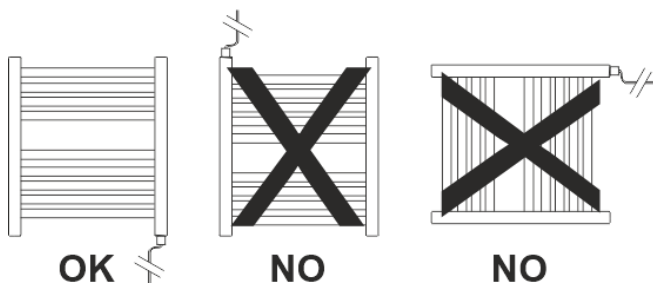
1 – Πετσέτα 700*400	2 – 2x G1/2 κενό βύσμα
3 – 1x βύσμα εξαερισμού G1/2	4 – Στοιχείο θέρμανσης
5 – 4x Πλαστικό στήριγμα φ29x52,5	6 – 4x M6x20 βίδα
7 – 4x ST4,8x60mm βίδα	8 – 4x M5x12 βίδα στερέωσης
9 – 4x ροδέλα $\varnothing 16 \times \varnothing 6 \times 1.4$	10 – 4x Στήριγμα φ28x34
11 – 4x $\varnothing 8 \times 64 \text{mm}$ βύσμα τοίχου	

## Εγκατάσταση

1. Η εγκατάσταση πρέπει να γίνει από εξειδικευμένο επαγγελματία ή άλλο πλήρως καταρτισμένο άτομο. Πρέπει να εγκατασταθεί σύμφωνα με τις συνήθεις εμπορικές πρακτικές και σε συμμόρφωση με την εθνική νομοθεσία (οδηγίες και κανονισμούς της ΕΕ για την ηλεκτρική ενέργεια που αφορούν ειδικές εγκαταστάσεις και χώρους λειτουργίας, συμπεριλαμβανομένων λουτρών, καμπινών ντους (IEC 60364-7-701).
2. Βεβαιωθείτε ότι έχετε τον απαραίτητο εξοπλισμό για την προσωπική σας προστασία πριν ξεκινήσετε την εγκατάσταση.
3. Ελέγξτε ότι έχετε προετοιμάσει όλα τα εξαρτήματα που υποδεικνύονται στη συσκευασία των αξεσουάρ και ότι το μέγεθος και το φινίρισμα είναι αυτό που χρειάζεστε, πριν ξεκινήσετε την εγκατάσταση.
4. Η ακατάλληλη εγκατάσταση, χειρισμός ή χρήση του θερμαντήρα πετσετών θα αποτελέσει άμεσο λόγο για τη λήξη της εγγύησης που παρέχεται για το προϊόν.
5. Το προϊόν μπορεί να εγκατασταθεί με ασφάλεια στις Ζώνες 3. Για εγκαταστάσεις στις Ζώνες 2 (ελέγξτε το παρακάτω σχήμα), λάβετε υπόψη τους ακόλουθους περιορισμούς:
  - Στα μπάνια, το προϊόν δεν πρέπει ποτέ να εγκαθίσταται με τέτοιο τρόπο ώστε να αγγίξει τον πίνακα ελέγχου κάποιος στην μπανιέρα ή να κάνει ντους. Ο πίνακας ελέγχου πρέπει να βρίσκεται σε απόσταση τουλάχιστον 600 mm από οποιοσδήποτε υγρές περιοχές. Το σώμα του προϊόντος μπορεί να τοποθετηθεί στις Ζώνες 2 εάν ο πίνακας ελέγχου βρίσκεται μέσα στη Ζώνη 3.
  - Σε υγρούς χώρους η πηγή ρεύματος πρέπει να εγκατασταθεί σε ύψος τουλάχιστον 25 cm πάνω από το δάπεδο (μπάνια και κουζίνες).
  - Το προϊόν πρέπει να είναι γειωμένο.



**ΣΗΜΑΝΤΙΚΟ** - Αυτό το προϊόν δεν πρέπει ποτέ να εγκαθίσταται με τον πίνακα ελέγχου του στο επάνω μέρος. Αυτό το προϊόν δεν πρέπει να εγκατασταθεί οριζόντια. Κατά την εγκατάσταση, χρησιμοποιήστε σφήνες έτσι ώστε ο πίνακας ελέγχου να μην έρχεται σε επαφή με το δάπεδο.



### Τοποθέτηση σε τοίχο



**ΚΙΝΔΥΝΟΣ! Κίνδυνος για τη ζωή!** Κατά τη διάτρηση, κρατήστε επαρκή απόσταση από τα καλώδια ρεύματος που βρίσκονται κοντά στις τρύπες που πρόκειται να ανοίξετε. Υπάρχει υψηλός κίνδυνος πυρκαγιάς ή απειλητικής για τη ζωή ηλεκτροπληξίας.



**ΠΡΟΣΟΧΗ! Ζημιές σε περιουσία!** Κατά τη διάτρηση, κρατήστε επαρκή απόσταση από τους σωλήνες νερού που βρίσκονται κοντά στις τρύπες που πρόκειται να ανοίξετε. Υπάρχει κίνδυνος ζημιάς από το νερό.

1. Επιλέξτε το σωστό μέρος του τοίχου.
2. Πριν τοποθετήσετε το θερμαντήρα, σημειώστε τα σημεία όπου θέλετε να στερεώσετε τα στηρίγματα τοίχου στον τοίχο και ανοίξτε τις τρύπες στον τοίχο με ένα κατάλληλο τρυπάνι. (Εικ-2, p1-p2)
3. Εισαγάγετε τα βύσματα τοίχου (11) στις τρύπες που έχετε κάνει και βιδώστε τον πλαστικό συνδετήρα (10) στον τοίχο με τη ροδέλα (9) και τη βίδα 4,8 x 60 mm (7). (Εικ-2, p3)
4. Βιδώστε το στήριγμα (5) με τη βίδα (6) (Εικ-2, 4-5).
5. Εισαγάγετε το συναρμολογημένο μέρος στον πλαστικό συνδετήρα (10) και στερεώστε καλά με τη βίδα M5x12 (8). (Εικ2, 6-7)



## Λειτουργία

**Ελέγξτε πριν ανάψετε!**



**ΚΙΝΔΥΝΟΣ! Κίνδυνος τραυματισμού!** Η συσκευή μπορεί να τεθεί σε λειτουργία μόνο εάν δεν εντοπιστούν σφάλματα κατά τον έλεγχο. Εάν ένα εξάρτημα είναι ελαττωματικό, πρέπει να αντικατασταθεί πριν από την επόμενη χρήση.

**Ελέγξτε την ασφαλή κατάσταση της συσκευής:**

- Ελέγξτε εάν υπάρχουν ορατά ελαττώματα.
- Ελέγξτε εάν όλα τα εξαρτήματα της συσκευής είναι στερεωμένα με ασφάλεια.

**Ηλεκτρική σύνδεση**

Συνδέστε το καλώδιο τροφοδοσίας στην πρίζα. Το καλώδιο είναι εξοπλισμένο με διακόπτη ON/OFF. Όταν ο διακόπτης είναι ενεργοποιημένος, το κουμπί ανάβει.

**Λειτουργία λειτουργίας**

Το θερμαντικό στοιχείο είναι εξοπλισμένο με αισθητήρα υγρού που ενεργοποιείται όταν η θερμοκρασία είναι χαμηλότερη από 55°C και σταματά αυτόματα όταν φτάσει τους 70°C με ανοχή  $\pm 5^\circ\text{C}$ .

## Συντήρηση και Καθαρισμός



**ΚΙΝΔΥΝΟΣ! Κίνδυνος τραυματισμού!** Να βγάζετε πάντα το φις από την πρίζα πριν εργαστείτε στη συσκευή.

Το προϊόν δεν απαιτεί κανένα είδος συντήρησης. Συνιστούμε όλα τα μέρη του προϊόντος να διατηρούνται καθαρά (πίσω, κάτω, πάνω πτερύγια κ.λπ.). Μην χρησιμοποιείτε κανένα λειαντικό προϊόν στο κύριο σώμα από χάλυβα. Καθαρίστε το με ένα υγρό πανί και ένα σαπούνι ουδέτερου pH και τον πίνακα ελέγχου με ένα στεγνό πανί.

## Τεχνικά χαρακτηριστικά:

	TW-15C.001A
Όνομαστική τάση εισόδου	220-240V~
Όνομαστική συχνότητα εισόδου	50-60Hz
Όνομαστική ισχύς	150W
Θερμοκρασία εργασίας	55 °C – 70 °C
Κατηγορία προστασίας	Κατηγορία I
Διαστάσεις	700 x 400 mm

## Δήλωση συμμόρφωσης ΕΕ

Αυτό το προϊόν έχει δοκιμαστεί και παραχθεί σύμφωνα με όλες τις σχετικές τρέχουσες κατευθυντήριες γραμμές CE, όπως:



- οδηγία για την ηλεκτρομαγνητική συμβατότητα 2014/30/ΕΕ,
- Οδηγία για τη χαμηλή τάση (LVD) οδηγία 2014/35/ΕΕ,
- RoHS με τις τροποποιήσεις της οδηγίας 2011/65/ΕΕ και (ΕΕ)2015/863,

και έχει κατασκευαστεί σύμφωνα με τους πιο πρόσφατους κανονισμούς ασφαλείας.

Το σήμα CE πιστοποιεί αυτό το προϊόν με όλες τις σχετικές οδηγίες.

## Διάθεση – Περιβαλλοντική πολιτική

### Συσκευασία



Το υλικό συσκευασίας είναι πλήρως ανακυκλώσιμο και επισημαίνεται με το σύμβολο ανακύκλωσης. Ακολουθήστε τους τοπικούς κανονισμούς για κατάργηση. Κρατήστε τα υλικά συσκευασίας (πλαστικές σακούλες, μέρη πολυστερίνης κ.λπ.) μακριά από παιδιά, καθώς είναι δυνητικά επικίνδυνα.

### Διάθεση

**Η συσκευή αυτή επισημαίνεται σύμφωνα με την ευρωπαϊκή οδηγία 2012/19/ΕΕ για τα απόβλητα ηλεκτρικού και ηλεκτρονικού εξοπλισμού (ΑΗΗΕ).**

Διασφαλίζοντας ότι αυτό το προϊόν απορρίπτεται σωστά, θα βοηθήσετε στην πρόληψη πιθανών αρνητικών συνεπειών για το περιβάλλον και την ανθρώπινη υγεία, οι οποίες διαφορετικά θα μπορούσαν να προκληθούν από ακατάλληλο χειρισμό αποβλήτων αυτού του προϊόντος.



Αυτό το σύμβολο στο προϊόν ή στα έγγραφα που συνοδεύουν το προϊόν, υποδεικνύει ότι αυτή η συσκευή δεν μπορεί να αντιμετωπιστεί ως οικιακά απορρίμματα. Αντίθετα, παραδίδεται στο εφαρμοστέο σημείο συλλογής για την ανακύκλωση ηλεκτρικού και ηλεκτρονικού εξοπλισμού.

Η διάθεση πρέπει να πραγματοποιείται σύμφωνα με τους τοπικούς περιβαλλοντικούς κανονισμούς για τη διάθεση των αποβλήτων. Για περισσότερες πληροφορίες σχετικά με την επεξεργασία, την ανάκτηση και την ανακύκλωση αυτού του προϊόντος, επικοινωνήστε με το τοπικό γραφείο της πόλης, την υπηρεσία διάθεσης οικιακών απορριμμάτων ή το κατάστημα από το οποίο αγοράσατε το προϊόν.

### Επαφή στην Ελλάδα:

#### **ΚΑΡΑ ΕΜΠΟΡΙΟ**

**Καραγιαννοπούλου 32,**

61100 Κιλκίς, Ελλάδα

Email: [info@kapaemporio.gr](mailto:info@kapaemporio.gr)

Τηλ. +302341024654

Fax +302341025735

<https://kapaemporio.gr>

### Όροι και Προϋποθέσεις Εγγύησης

1. Το προϊόν είναι εγγυημένο για την περίοδο που ορίζεται από τη νομοθεσία στην οποία διατίθεται στην αγορά, αρχής γενομένης από την ημερομηνία αγοράς, έναντι κατασκευαστικών ελαττωμάτων ή/και κατασκευής. Η έλλειψη συμμόρφωσης που εκδηλώνεται κατά την περίοδο αυτή τεκμαίρεται ότι υφίσταται κατά την ημερομηνία αγοράς. Μετά από αυτή την περίοδο, εναπόκειται στον πελάτη να αποδείξει ότι η έλλειψη συμμόρφωσης υπήρχε ήδη κατά τη στιγμή της παράδοσης.
2. Εάν, κατά τη διάρκεια της περιόδου εγγύησης, το προϊόν είναι ελαττωματικό σε κανονική χρήση, ο αγοραστής θα πρέπει να επικοινωνήσει με την εγκατάσταση πώλησης και να στείλει τη συσκευή στον τόπο που υποδεικνύεται από τον πωλητή.
3. Η εγγύηση ισχύει μόνο με την προσκόμιση του τιμολογίου που αποδεικνύει την αγορά και το συμπληρωμένο πιστοποιητικό εγγύησης (αναφέροντας την ημερομηνία αγοράς, το όνομα του εμπόρου, την αναφορά του μοντέλου και συνιστάται επίσης να αναφέρετε τον σειριακό αριθμό και τον αριθμό παρτίδας).
4. Ο εισαγωγέας/πωλητής διατηρεί το δικαίωμα να αρνηθεί τη βοήθεια εγγύησης σε περίπτωση που οι πληροφορίες αυτές έχουν διαγραφεί ή τροποποιηθεί μετά την αρχική αγορά του προϊόντος.
5. Η ευθύνη του εισαγωγέα/πωλητή περιλαμβάνει ιδίως τα έξοδα επισκευής ή/και αντικατάστασης της μονάδας που καλύπτεται από την εγγύηση με την επιφύλαξη του δικαιώματος αντικατάστασης της με ισοδύναμο προϊόν, σε περιπτώσεις όπου δεν είναι δυνατή η επισκευή της.
6. Η εγγύηση δεν ισχύει για προβλήματα που δεν σχετίζονται άμεσα με ελαττώματα υλικού, σχεδιασμού ή κατασκευής.
7. Αυτό το προϊόν είναι συσκευή και προορίζεται μόνο για οικιακή χρήση. Η εγγύηση θα είναι άκυρη εάν το προϊόν χρησιμοποιείται για επαγγελματικούς σκοπούς.
8. Η εγγύηση δεν καλύπτει ζημιές που προκαλούνται από κακή χρήση, ακατάλληλη εγκατάσταση, διαρροή, εξωτερικούς παράγοντες ή σκόπιμη ζημιά.
9. Η εγγύηση δεν καλύπτει ζημιές που προκύπτουν από πτώσεις, χρήση υπερβολικής δύναμης, χτυπήματα, έκθεση σε ακραίες περιβαλλοντικές συνθήκες ή φθορά που προκαλείται από την κανονική χρήση πλαστικών μερών ή πληκτρολογίων, καθώς και τη χρήση μπαταριών άλλων από αυτές που καθορίζονται στο παρόν εγχειρίδιο.
10. Η εγγύηση δεν καλύπτει την εγκατάσταση και τον προγραμματισμό από τον αντιπρόσωπο. Ειδικότερα, δεν μπορεί να γίνει δεκτή καμία αξίωση εγκατάστασης και δωρεάν προγραμματισμού από τον μεταπωλητή.
11. Η εγγύηση δεν καλύπτει ελλείψεις που επηρεάζουν ασήμαντα τη λειτουργία της συσκευής. Άλλα έξοδα, όπως η εγκατάσταση, η μεταφορά και η μετακίνηση του τεχνικού εξαιρούνται ρητά από την εγγύηση.
12. Η δυνατότητα εφαρμογής της εγγύησης προϋποθέτει ότι η συσκευή αποστέλλεται στον πωλητή ή τον τόπο που υποδεικνύεται από αυτόν, πλήρης και σε καλά προστατευμένη συσκευασία (ει δυνατόν, στην αρχική συσκευασία της) και συνοδεύεται από το φύλλο ή την κάρτα εγγύησης που έχει συμπληρωθεί δεόντως και απόδειξη αγοράς.
13. Εάν μετά την επαλήθευση, διαπιστωθεί ότι δεν υπάρχουν λόγοι για τον ισχυρισμό ή ότι το προϊόν δεν είναι ελαττωματικό, το εγγενές κόστος θα καταλογιστεί στον πελάτη και ο έμπορος εξουσιοδοτείται να χρεώσει αυτά τα έξοδα στον πελάτη.
14. Η εγγύηση θα είναι άκυρη όταν εμφανίζει ενδείξεις ότι ένα μη εξουσιοδοτημένο άτομο έχει επιχειρήσει να πραγματοποιήσει επισκευές, τροποποιήσεις ή αντικατάσταση εξαρτημάτων στη συσκευή.
15. Οι επισκευές που πραγματοποιούνται μετά το τέλος της περιόδου εγγύησης υπόκεινται σε έξοδα.
16. Η παρούσα εγγύηση δεν επηρεάζει τα νόμιμα δικαιώματά σας που ενδέχεται να έχετε ως καταναλωτή σύμφωνα με το εφαρμοστέο εθνικό δίκαιο που διέπει την αγορά προϊόντων όπου πωλείται το προϊόν.
17. **Περίοδος εγγύησης:**

**Χώρες της Ευρωπαϊκής Ένωσης** - Οι ευρωπαϊκές οδηγίες (ΕΕ) 2019/771 και (ΕΕ) 2019/770 εφαρμόζονται σε ορισμένες πτυχές των συμβάσεων αγοράς και πώλησης κινητών αγαθών και μεταφέρονται στην εθνική νομοθεσία των χωρών τους.

**Άλλες χώρες** - εφαρμόζεται εθνική νομοθεσία για τα δικαιώματα των καταναλωτών στη χώρα τους. Σε περίπτωση μη επίσημης νομοθεσίας, η εγγύηση εφαρμόζεται κατά τη διακριτική ευχέρεια του εισαγωγέα που διαθέτει το προϊόν στην αγορά ή στην εγκατάσταση πωλητή.

# Meet the family



## **HAEGERTEC, s.a.**

Edifício HAEGER – Pct. Cidade de Londres, 1  
Parque Industrial do Arneiro  
2660-456 S. Julião do Tojal  
PORTUGAL  
<https://www.haegergroup.com>

Tel: +351 21 949 83 00 (PBX)  
Tel: +351 21 949 83 02 (after sales support)  
Fax: +351 21 949 83 25  
e-mail: [assistencia@haegergroup.com](mailto:assistencia@haegergroup.com)  
e-mail: [comercial@haegergroup.com](mailto:comercial@haegergroup.com)



2208TW15C001A-EU