

HÆGERTEC



Mini Oven – 35 Litres / Forno Eléctrico – 35 Litros
Horno Eléctrico – 35 Litros / Four Électrique – 35 Litres

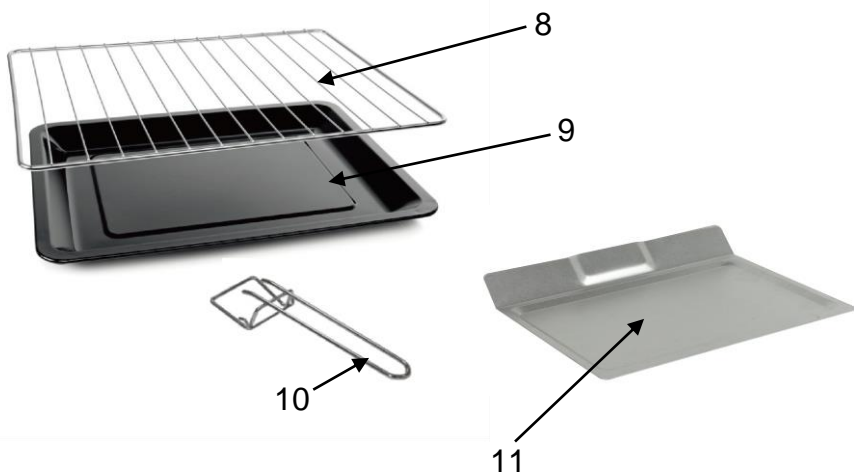
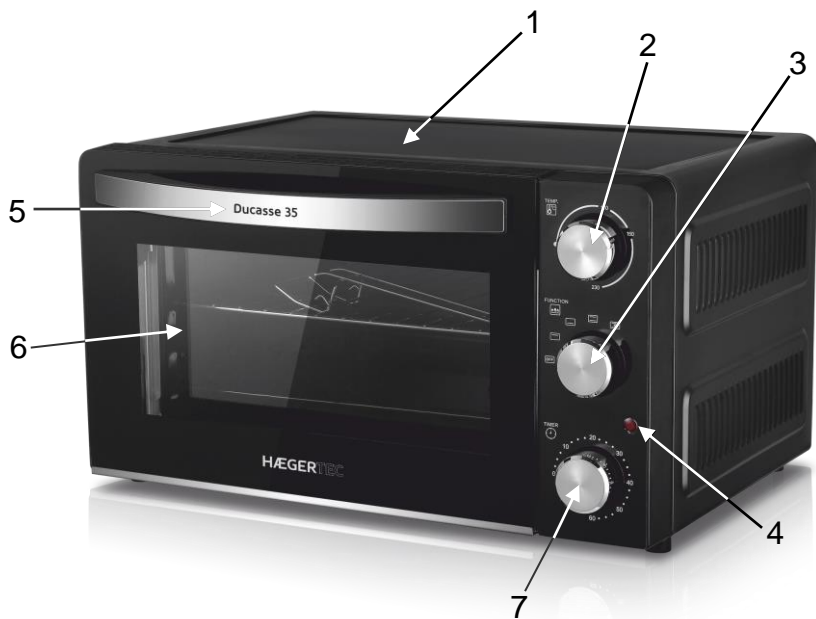
Ducasse 35

OV-35B.033A



CE RoHS

Instructions Manual / Manual de Instruções
Manual de Instrucciones / Notice d'utilisation



Dear Customer

Thank you for having chosen a HÆGERTEC product.

The HÆGERTEC products have been produced to think about the welfare of the consumer privileging the most raised standards of quality, functionality and assign. We are sure you will be happy with this appliance.

This operating manual is intended to help the user understand the appropriate, safe and economic operation of the Electric oven.

We assume that the user is familiar with the common procedures of handling household appliances.

Before you start using your Electric Oven for the first time, read the operating instructions carefully and preserve this booklet for later reference. Pass the manual on to whosoever might acquire the appliance at a future date.

Important Safety Information

When using electrical appliance, basic safety precautions should always be followed, including the following:

- Do not leave the appliance unattended when it is in use.
- **This appliance can be used by children aged from 8 years and above and persons with reduced physical, sensory or mental capabilities or lack of experience and knowledge if they have been given supervision or instruction concerning use of the appliance in a safe way and understand the hazards involved. Children shall not play with the appliance. Cleaning and user maintenance shall not be made by children unless they are older 8 years and supervised.**
- Children should be supervised in order to make sure that they do not play with the device.
- You may not open the housing of the appliance or carry out any repairs. Should you do so, the safety concept of the device may be compromised and the warranty becomes void. Arrange for defects on the appliance to be repaired only by the dealer or authorised specialists.
- Arrange for defective power plugs and/or cables to be replaced at once by qualified technicians or our Customer Service Department.
- Ensure that fluids cannot permeate into the housing of the appliance. Do not expose the appliance to humidity and do not use it outdoors. Additionally, **DO NOT** place fluid-filled receptacles such as flower vases on the appliance. This would increase the risk of fire and of receiving an electric shock! Should liquids permeate into the housing, unplug the

appliance immediately and arrange for it to be repaired by a qualified technician.

- When the appliance is in use ensure that there are no easily inflammable materials close to it (e.g. dishcloths, oven cloths, etc.). **NEVER** dry out textiles or other objects on or above the appliance. This would increase the risk of fire!
- **NEVER** touch the heating rods or the viewing window when the appliance is in use, or before it has cooled down completely. Do not reach in to the cooking area when the appliance is in use. Wait until the appliance has cooled down. Otherwise, you could be burnt.



CAUTION, HOT SURFACE! - As the housing and the viewing window in the glass door become very hot during use, you must use an oven cloth or something similar to open the oven flap. Otherwise, you could be burnt.

- After use, allow the appliance to cool down completely before transporting.
- **NEVER** grasp the appliance, power cable or power plug with wet hands. There is the risk of receiving an electric shock.
- To disconnect, always pull out the plug itself out of the power socket, do not pull the power cable.
- Do not fold or crush the power cable.
- Lay the power cable in such a way that no one can tread on or trip over it.
- Do not use extension cables.
- If you do not intend to use the appliance for an extended period, you must disconnect it from the power source. The appliance is completely free of electrical power only when you unplug it.
- Do not use an external timing switch or a separate remote-control system to operate the appliance.

THIS PRODUCT IS INTENDED FOR HOUSEHOLD USE ONLY

Intended Use

The Electric Oven is intended for the heating, cooking and grilling of food. It is intended exclusively for these purposes and may only be used for them.

The user is also required to pay heed to all of the information in these operating instructions, especially the safety instructions. All other uses are deemed to be improper and may result in property damage or even in personal injury.

The manufacturer or importer accepts no liability for damage caused by improper use of the appliance.

Package content

- Electric Oven
- Wire rack + Bake tray + crumb tray
- A handle for the bake tray
- The operating instructions

Installation

Place the appliance on a firm, flat and heat-resistant base. Make sure that the area surrounding the appliance is adequately ventilated.



Risk of fire!

There must be a clearance of at least 10 cm between the back of the appliance and the wall, at least 30 cm above the top and 5 cm each on the sides. Therefore, do not place the appliance, for example, in a shelf or a narrow space. Lack of sufficient ventilation for the oven can cause a fire or damage the appliance.



Risk of fire!

Place the electric oven only on a firm, flat and heat-resistant base. Failing to do so can cause fire hazards or damage the appliance. The appliance may leave permanent marks, if placed on a soft surface.



Risk of electric shock!

Do not place the appliance directly next to a water source, for example, near washbasins, washtubs or in humid cellars. Such locations can be dangerous due to electrical shocks.

- DO **NOT** support yourself on the glass door.
- DO **NOT** place objects on the glass door. This would cause damage to the hinges.

Operating Elements

- | | |
|---------------------|-------------------------|
| 1. Housing | 2. Temperature selector |
| 3. Heating selector | 4. Pilot lamp |
| 5. Door handle | 6. Glass door |
| 7. Timer selector | 8. Wire rack |
| 9. Bake tray | 10. Tray handle |
| 11. Crumb tray | |

Temperature knob: Choose desired temperature from 100°C to 230°C.

Timer knob (0-60min): Turn control to the right (clockwise) and the oven will turn off automatically at the end of the selected time and a bell will ring. When setting the Timer less than 5 min, turn it to more than 6 min. and then back to the selected time.

Internal Light: Internal light will work once time is setting.

Power Indicator: It is illuminated whenever oven is turned on.

Heating selector



OFF position.



Lower heat elements are selected for broiling.



Upper heat elements are selected for grilling.



Both upper and down heat elements are selected for bake or toast.



Convection + Upper and lower heating.

Starting to use the appliance

1. Take the electric Oven and all accessories from the packaging.



Danger of contusion!

When opening and closing the door, do not place your fingers/hand between the door hinges. They could be crushed.

2. Before using the appliance for the first time, it and all of the accessories must be cleaned free of possible packaging residues. Clean the accessories with a hand warm and mild detergent solution and then dry them ab.
3. Wipe the appliance housing with a cloth lightly moistened with water and then dry it carefully.
4. When the appliance is completely dry inside and out, insert the plug into a suitable power socket (220 - 240 V~ 50 Hz).
5. Now switch the appliance on, without the accessories and without foodstuffs. Leave the appliance door completely open.
6. Select the setting 230° C with the temperature control switch. Place the main function switch to upper and lower heat.
7. Place the timer switch at 15 minutes.



The appliance allows itself to be switched on with the timer switch. As soon as the time switch is set the control lamp glows.

As the heating elements are lightly greased, a slight smell may occur when first putting them into operation. This is harmless and stops after a short time. Open a window and provide for sufficient ventilation.

8. When the appliance has switched itself off automatically, place the main function switch to OFF.
9. Remove the plug from the power socket and wait until the appliance has cooled itself down.
10. Then clean the grill and baking area with a cloth lightly moistened with water and then dry it carefully.

Switching off and transportation

Switching off

- Set the main function switch (heating selector) and the timer switch to OFF position. Unplug the power plug from the socket.

Transporting

- If you wish to transport the oven to a different location, first allow it to cool down.
- Remove the power cord from the socket.
- Wind the power cord around the bracing hooks at the back of the appliance.

Operation

Grilling and baking

1. Remove the roasting grill and baking tray from the appliance. If required, cover these with baking paper resp. smear the baking tray with butter or oil.
2. Allow the appliance to heat up for ca. 10 minutes (dependant on the setting) to the required temperature:
 - Select the required temperature with the temperature control knob.
 - For grilling, you must always select the highest temperature (230° C).
 - Then, select with the function switch either upper heat (e.g. for toppings), lower heat (e.g. for cakes) or upper and lower heat (e.g. for Pizza). If you want to grill, always select the setting upper heat with the function switch.
 - With the time switch set the pre-heat time (ca. 10 minutes).
 - Close the glass door.

- When the warm-up period is finished, place the foodstuffs on the roasting grill resp. the baking tray and slide it in on one of the runners. Ensure that there is sufficient space between the foodstuffs and the inner walls/heating elements of the appliance.



The most uniform baking results are obtained when the baking tray resp. the roasting grill are placed on the central runner.

- Close the glass door before starting the grill or baking process.



If you are cooking especially fatty foodstuffs, an increased smoke development can occur. In this case, do not close the glass door completely; instead, allow it to be slightly open:

If you carefully push the door to, it comes into this position shortly before closing.

- Adjust the time switch to the required grilling or baking time.
- The maximum grilling or baking time is 60 minutes.
- If the cooking time for the foodstuff amounts to less than 5 minutes, first of all place the time switch more than 6 minutes and then turn it back to the required grilling or baking time.
- The control lamp indicates that your electric oven is switched on. The switch of the time switch now rotates itself anti-clockwise towards OFF.



When your electric oven has reached the set temperature, the heating elements switch themselves off at intervals, to ensure that the temperature is maintained.

- The appliance switches itself off automatically on completion of the programmed time. If you wish to switch the appliance off prematurely, turn the time switch back to OFF. Place the function switch at the position OFF and remove the plug from the power socket. You will hear a signal sound and the control lamp extinguishes.



After the appliance has switched itself off, the time switch can continue to run for a short period.

- To remove the roasting grill resp. baking tray, **ALWAYS** use the provided handle.

- To lift the roasting grill out, you must engage the small hook of the handle in the grill from above.
- To lift the baking tray out of the appliance, the large hooks of the handle must engage with the front edge of the baking tray.

- After grilling or baking, place the function switch in the position OFF. Remove the plug from the power socket. Allow the appliance to cool down before cleaning it or switching it back on.

Grilling and baking with air circulating

As a general rule, if you are baking or grilling with air circulation you can dispense with a pre-heating of the cooking space. The cooking and browning results are more even with the use of circulating air.

Take note of the instructions given in the recipes when using air circulation.

1. Turn the function switch to the convection position. The ventilator will rotate in these positions.
2. The methods of operation are then the same as for grilling and baking without air circulation.

Cleaning

Before you clean the oven, you must always remove the plug from the power socket. There is a risk of receiving an electric shock!



Risk of electric shock!

When cleaning it, under no circumstances may the appliance be submersed in water. There is a risk of receiving an electric shock!



Important!

Do not use household detergents or sharp/pointed objects to remove soiling. They could damage the special coatings on the inner walls of the Electric Oven.

- Should soiling occur, the electric oven can be cleaned with a soft cloth lightly moistened with a mild soapy solution.
- Clean the baking tray and the roasting grill in a detergent solution. Allow stubborn soiling to be softened. Rinse them off with clear water.



Risk of electric shock!

The oven must be completely dry before using it again after cleaning. Therefore, after cleaning leave the appliance door opens.

Troubleshooting

Symptom	Possible cause and solution
The appliance does not heat up.	The timer switch is showing OFF. Adjust the timer switch to a time greater than 0 minutes (OFF). A household fuse on this line may be defective. Check the household fuses box and if necessary, replace the defective one. The power socket may be defective. Try on another power socket. The electric oven may be defective. Get the electric oven checked by a qualified technician.
The Electric oven cannot be switched off.	An electronic component is defective. Remove the plug from the socket and get the oven checked by a qualified technician.
The glass door is broken or it has developed cracks.	Get the electric oven repaired by a qualified technician.

If a malfunction still cannot be rectified, please contact the shopkeeper or the manufacturer's service centre.

Technical data

Main Voltage: 220-240V ~50Hz
Nominal power: 1500W
Capacity: 35 Litres
Dimensions (L x W x H): 524 x 475 x 300mm
Net Weight: 8.5 kg

Conformity CE

This product has been tested and produced according to all relevant current CE guidelines, such as:



- electromagnetic compatibility Directive 2014/30/EU,
- Low voltage Directive (LVD) Directive 2014/35/EU,
- Directives RoHS 2011/65/EU and (EU)2015/863,

and has been constructed in accordance with the latest safety regulations.

The CE mark attests this product with all relevant directives.

Disposal



Please consider our environment

Do not dispose of the appliance in your normal domestic waste. **This product is subject to the European guideline 2012/19/EU.**

Dispose of the appliance through an approved disposal centre or at your community waste facility. Observe the currently applicable regulations. In case of doubt, please contact your waste disposal centre.

Dispose of all packaging materials in an environmentally responsible manner.

When you wish to dispose of the appliance, remove the cable and dispose it in an environmentally friendly way (e.g. recycling plant).

Guarantee

This unit is covered by a 24 months (*) warranty, from the purchase date, and covers the repair free of charges of the damaged due to the manufacturer fault or defected components. The distributor reserves the right to change the unit for an equivalent model.

The warranty does not cover any damaged caused by incorrect use, lightning, incorrect installation, external factors or any intentional damaged. The warranty does not cover damage thus attributable to falls, blows, spill, exposure to extreme environmental conditions or deterioration caused by normal use of plastic parts or keyboards, as well as by the use of batteries other than those specified in this manual.

For the repairing, during the warranty period, the unit shall be sent to the distributor or reseller, or to the address indicated by them, and must be jointed the warranty certificated and the respective original invoice or selling ticket, where the buying date is expressed indicated.

The consumer is protected by the guarantee provided by Directive 1999/44/CE of European Parliament and Council of 25 May.

(*) Only for European Union countries

Estimado Cliente

Obrigado por ter escolhido um produto HÆGERTEC.

Os produtos HÆGERTEC foram concebidos a pensar no bem-estar do consumidor, privilegiando os mais elevados padrões de qualidade, funcionalidade e design. Estamos certos da sua satisfação pela aquisição deste produto.

Este manual de instruções auxilia-o para uma utilização correta, segura e económica do seu forno grelhador.

Partimos do princípio que o utilizador possui conhecimentos gerais sobre o manuseamento com eletrodomésticos.

Antes da primeira utilização, leia o manual de instruções e guarde-o para utilização futura. Ao entregar o aparelho a terceiros, entregue também o manual.

Informações Importantes sobre Segurança

Antes da instalação de qualquer eletrodoméstico, deverá seguir as precauções básicas de segurança, incluindo as seguintes:

- Nunca deixe o aparelho sem vigilância durante o seu funcionamento.
- **Este aparelho pode ser utilizado por crianças com idade a partir de 8 anos e por pessoas com capacidades físicas, sensoriais ou mentais ou falta de experiência e conhecimento, se tiverem recebido supervisão ou instruções relativas à utilização do aparelho de forma segura e entender os riscos envolvidos. As crianças não devem brincar com o aparelho. Qualquer limpeza e ou manutenção não deve ser feito por crianças a não ser que tenham idade superior a 8 anos e sejam supervisionados.**
- As crianças devem ser supervisionadas, de modo a garantir que não brincam com o aparelho.
- Não pode abrir ou reparar a caixa do forno elétrico. Nesse caso, a segurança não é assegurada e a garantia perde a validade. O forno elétrico avariado apenas pode ser reparado pelos serviços técnicos do fornecedor ou por um técnico especializado autorizado.
- Em caso de danos na ficha ou no cabo de alimentação, estes devem ser imediatamente substituídos por um técnico autorizado ou pelos serviços técnicos do fornecedor, a fim de evitar perigos para si.
- Não permita que entre qualquer líquido para o interior do forno. Não deve expor o aparelho a humidades, nem o utilizar ao ar livre. Além disso, **não deve** colocar quaisquer objetos cheios com líquidos, como por ex. jarras, sobre o aparelho. **Existe o perigo de incêndio e de choque elétrico!** Se a

estrutura do forno entrar em contacto com líquidos, retire imediatamente a ficha da tomada e solicite a intervenção de um técnico.

- Durante o funcionamento, não devem encontrar-se materiais facilmente inflamáveis na área circundante do forno elétrico (por ex. panos da loiça, pegas de cozinha, etc.). **Nunca** seque têxteis ou objetos sobre ou dentro do aparelho. **Existe o perigo de incêndio!**
- **Nunca** toque nas resistências ou na janela de visualização durante o funcionamento ou antes de o forno elétrico estar arrefecido. Nunca coloque as mãos para dentro do forno elétrico. Espere até que o aparelho arrefeça. Caso contrário, poderá queimar-se.



CAUTION, HOT SURFACE! - Uma vez que a caixa e a janela de visualização na porta de vidro aquecem muito durante o funcionamento, deve utilizar uma pega de cozinha, ou semelhante, para abrir a porta do forno. Caso contrário, poderá queimar-se.

- Deixe o forno elétrico arrefecer após a utilização e antes de o transportar.
- **Nunca** toque no aparelho, no cabo de alimentação e na ficha com as mãos molhadas. Caso contrário existe o perigo de choque elétrico!
- Retire sempre o cabo de alimentação puxando a ficha para fora da tomada e não o próprio cabo.
- Não dobre ou esmague o cabo de alimentação.
- Assente o cabo de alimentação, para que não possam tropeça-lo ou calcá-lo. Evite a utilização de cabos e tomadas de extensão.
- Se não utilizar o seu forno elétrico durante um longo período de tempo, deve desligá-lo da rede elétrica retirando a ficha da tomada.
- Não utilize temporizadores externos ou sistemas de comando à distância para comandar o aparelho.

ESTE PRODUTO DESTINA-SE SOMENTE PARA USO DOMÉSTICO

Utilização correta

O forno elétrico serve para aquecer, cozinhar e gratinar alimentos. Este foi concebido exclusivamente para esta finalidade e apenas deve ser usado para esse efeito. Uma utilização correta implica também o respeito por todas as informações neste manual de instruções, particularmente as indicações de segurança. Qualquer outro tipo de utilização é considerado incorreto e pode conduzir a danos materiais ou até mesmo pessoais.

O fabricante não assume qualquer responsabilidade por danos resultantes de uma utilização incorreta.

Conteúdo da embalagem

- O forno elétrico
- Uma grelha + tabuleiro + bandeja de migalhas
- Uma pega para a grelha/tabuleiro
- Manual de instruções

Instalação

Coloque o aparelho num local fixo, plano e resistente ao calor. Certifique-se de que existe ventilação suficiente em volta do aparelho.



Perigo de incêndio!

A distância entre a parte de trás do aparelho e a parede deve ser de pelo menos 10 cm, de 30 cm para cima, e pelo menos 10 cm dos lados. Por isso o aparelho não deve, p. ex. ser colocado dentro de armários ou outros. De contrário não será possível uma ventilação suficiente do forno e pode causar um incêndio ou ser danificado.



Perigo de incêndio!

Coloque o forno grelhador impreterivelmente num local fixo, plano e resistente ao calor. Caso contrário existe o perigo de incêndio e o aparelho pode ser danificado. Além disso, em caso de uma superfície suave, podem ser provocadas marcas prolongadas na superfície.



Perigo de um choque elétrico!

Não coloque o aparelho muito perto da água, p. ex. lavatórios, bancas de lavagem ou caves húmidas. Caso contrário existe perigo de choque elétrico!

- **Nunca** se apoie sobre a porta de vidro.
- **Nunca** coloque quaisquer objetos sobre a porta de vidro. Isto pode provocar danos nas dobradiças.

Elementos de comando

- | | |
|----------------------------------|------------------------------------|
| 1. Cabine | 2. Seletor de temperatura |
| 3. Seletor de convecção | 4. Seletor de aquecimento (função) |
| 5. Lâmpada piloto | 6. Pega da porta |
| 7. Porta de vidro | 8. Temporizador |
| 9. Grelha | 10. Tabuleiro |
| 11. Pega para grelha e tabuleiro | 12. Bandeja de migalhas |

Botão de Temperatura: Escolha a temperatura desejada de 100°C a 230°C.

Botão do temporizador (0-60min): Gire o botão para a direita (sentido horário), o forno irá desligar-se automaticamente no final do tempo selecionado com um sinal sonoro. Se pretender um tempo inferior a 5 minutos, gire o botão para mais de 6 minutos e depois volte para trás.

Luz interior: a luz interna irá acender-se assim que definir o tempo.

Piloto luminoso: fica aceso quando o forno está ligado.

Comutador de Funções



Posição desligado.



Calor superior. Ideal para gratinado.



Calor inferior. Ideal para grelhados.



Calor superior e inferior. Ideal para assados e tostas.



Calor superior e inferior com função circulação de ar.

Começar a usar o aparelho

1. Retire o forno elétrico e todos os acessórios da embalagem de transporte.



Perigo de esmagamento!

Ao abrir ou fechar a porta, nunca segure na respetiva dobradiça. Caso contrário, pode esmagar a mão.

2. Antes da primeira colocação em funcionamento, deve remover eventuais resíduos da embalagem do aparelho e de todos os acessórios. Limpe os acessórios com uma mistura suave de água morna e sabão e, em seguida, seque-os.
3. Limpe a estrutura do aparelho com um pano ligeiramente humedecido com água e, em seguida, seque-a cuidadosamente.
4. Quando o aparelho estiver completamente seco, por dentro e por fora, insira a ficha numa tomada elétrica de 220-240V~ 50 Hz.
5. Ligue agora o aparelho sem introduzir os acessórios e sem qualquer alimento para cozinhar ou gratinar. Deixe a porta do aparelho completamente aberta.
6. Com o regulador da temperatura, selecione a posição 230°C. Coloque o seletor de função na posição calor superior e inferior.
7. Ajuste o temporizador para 15 minutos.



Apenas é possível ligar o aparelho com o temporizador. Assim que o temporizador estiver ligado, a lâmpada piloto acende.

Uma vez que os elementos de aquecimento estão ligeiramente lubrificados, é possível que ocorra uma ligeira formação de odores na primeira colocação em funcionamento. Estes odores são inofensivos e dissipam-se em pouco tempo. Abra a janela e garanta uma ventilação suficiente.

- Quando o aparelho se desligar automaticamente, coloque o seletor de função na posição de desligado (OFF).
- Retire a ficha da tomada e aguarde que o aparelho arrefeça.
- Limpe o interior do forno elétrico com um pano ligeiramente humedecido e seque-o.

Desligar e transportar

Desligar

- Coloque o seletor de função e o temporizador na posição desligado. Retire a ficha da tomada.

Transportar

- Se pretender transportar o forno elétrico, deixe-o arrefecer primeiro.
- Retire o cabo de alimentação da tomada.
- Enrole o cabo de alimentação à volta do gancho de retenção, na parte de trás do aparelho.

Utilização

Cozinhar e gratinar

- Retire a grelha e o tabuleiro do aparelho. Se necessário, forre-os com papel vegetal ou barre o tabuleiro com manteiga ou óleo.
- Deixe o aparelho aquecer durante aprox. 10 minutos (conforme o ajuste da temperatura) para a temperatura pretendida:

- Selecione a temperatura pretendida com o regulador de temperatura.
- No modo de grelhado, selecione o nível de temperatura a 230° C.
- Em seguida, com o seletor de função, escolha entre calor superior (por ex. para gratinados), calor inferior (por ex. para bolos) ou calor superior e inferior (por ex. para pizza). Se pretender utilizar o aparelho como grelhador, rode o seletor de função para calor superior.
- Com o temporizador, ajuste o tempo de pré-aquecimento (aprox. 10 minutos).
- Feche a porta de vidro.

- Depois do pré-aquecimento, coloque o alimento sobre a grelha ou sobre o tabuleiro e insira-o numa das calhas. Tenha em atenção para que haja uma distância suficiente entre o alimento e as paredes interiores e os elementos de aquecimento do aparelho.



Obtém-se resultados de cozedura mais uniformes se inserir o tabuleiro ou a grelha na calha central.

- Feche a porta de vidro, antes de iniciar o processo de gratinar ou de cozer.



Quando estiver a preparar alimentos com um elevado teor de gordura, pode ocorrer uma maior formação de fumos. Neste caso, não feche a porta de vidro completamente, deixando uma fresta aberta: Se fechar a porta cuidadosamente, esta irá encaixar nesta posição, pouco antes de fechar.

- Com o temporizador, ajuste o tempo de gratinar ou de cozedura pretendido.
- O tempo de gratinar ou de cozedura máximo é de 60 minutos.
- Se o tempo de cozedura do alimento que está a preparar for inferior a 5 minutos, ajuste primeiro, o temporizador para mais de 6 minutos e, em seguida, regule de volta para o tempo de gratinar ou de cozedura pretendido.
- A luz de controlo indica que o seu forno elétrico está ligado. O interruptor do temporizador move-se agora no sentido contrário ao dos ponteiros do relógio, para a posição desligado.



Quando o seu forno elétrico atingir a temperatura que ajustou, os elementos de aquecimento desligam-se de forma intermitente, para manter a temperatura ajustada.

- Após o decurso do tempo ajustado, o aparelho desliga-se automaticamente. Se pretender desligar o aparelho antecipadamente, rode o temporizador de volta para a posição desligado. Coloque o interruptor de função na posição desligado e retire a ficha da tomada. Ouve então um aviso sonoro e a luz de controlo apaga-se.



Depois de o aparelho se ter desligado, o temporizador ainda pode funcionar durante alguns momentos.

- Para retirar a grelha ou o tabuleiro, utilize sempre a pega fornecida.

- Para elevar a grelha, deve encaixar o gancho pequeno da pega na grelha, a partir de cima.
- Para levantar o tabuleiro para fora do aparelho, o gancho grande da pega deve ser encaixado no bordo dianteiro do tabuleiro.

11. Depois de cozinhar ou gratinar, coloque o interruptor de função na posição desligado. Retire a ficha da tomada. Deixe o aparelho arrefecer, antes de o limpar ou utilizar novamente.

Cozinhar e gratinar com ar circulante

Se cozinhar ou gratinar com ar circulante, normalmente, não é necessário pré-aquecer o forno elétrico. O resultado de cozedura e do gratinado é mais uniforme caso utilize a circulação de ar.

Para a utilização de ar circulante, observe as indicações de preparação nas receitas.

1. Rode o botão do seletor de função para a posição de circulação de ar.
2. O ventilador funciona no interior do forno elétrico. O restante funcionamento corresponde aos processos de cozinhar e gratinar sem ar circulante.

Limpeza

Antes de limpar o forno elétrico, retire sempre a ficha da tomada. Existe o perigo de choque elétrico!



Perigo de choque elétrico!

Nunca mergulhe o aparelho em água durante a limpeza. Existe o perigo de choque elétrico!



Atenção!

Não utilize detergentes domésticos ou objetos afiados ou pontiagudos para retirar a sujidade pois pode danificar o forno e o revestimento especial das suas paredes interiores.

- Se surgirem sujidades, pode limpar o forno elétrico com um pano suave, ligeiramente humedecido com água e sabão.
- Limpe o tabuleiro e a grelha com água com detergente da loiça. Deve amolecer primeiro as sujidades incrustadas. Remova os resíduos de detergente com água limpa.



Perigo de choque elétrico!

Antes de voltar a usar o aparelho após uma limpeza, este deve estar completamente seco. Após a limpeza, deixe a porta do aparelho aberta.

Solução de problemas

Sintoma	Possível causa e solução
Os elementos de aquecimento não aquecem.	O temporizador está em 0 minutos. Ajuste o temporizador para um período de tempo superior a 0 minutos. Um fusível de sua casa está avariado. Verifique os fusíveis de sua casa e se necessário substitua-os. A tomada está avariada. Experimente outra tomada. O forno grelhador pode estar possivelmente avariado Permita que o forno grelhador seja verificado por um técnico.
Não é possível desligar o forno.	Um componente elétrico está avariado. Retire a ficha de rede da tomada e deixe que o forno grelhador seja verificado por um técnico.
A porta de vidro está partida ou apresenta fendas.	Permita que o forno grelhador seja reparado por um técnico.

Caso, apesar de tudo, não seja possível eliminar uma anomalia, dirija-se por favor ao seu comerciante ou ao fabricante.

Dados Técnicos

Tensão de rede:..... 220 - 240V ~50Hz

Potência nominal: 1500W

Capacidade:..... 35 Litros

Dimensões (L x P x A):..... 524 x 475 x 300mm

Peso líquido: 8.5 kg

Conformidade CE

Este aparelho foi testado e produzido de acordo com todas as atuais diretivas relevantes da UE, tais como:



- Diretiva de Compatibilidade eletromagnética 2014/30/EU,
- Diretiva de Baixa tensão LVD 2014/35/EU,
- Diretivas RoHS 2011/65/EU e (EU)2015/863,

e foi fabricado de acordo com as mais recentes normas de segurança.

A marcação CE atesta este produto com todas as diretivas relevantes.

Eliminação do aparelho



Tenha sempre presente o nosso meio ambiente

Nunca deite o aparelho no lixo doméstico normal.

Este produto está em conformidade com a diretiva europeia 2012/19/EU.

Elimine o aparelho através de um serviço de eliminação autorizado ou das entidades de eliminação locais.

Preste atenção às prescrições atuais válidas. Em caso de dúvida entre em contacto com a entidade de eliminação de resíduos.

Elimine todos os materiais de embalagem de forma ecológica.

Quando for se desfazer do aparelho, remova o cabo e elimina-lo de uma forma ambientalmente amigável (por exemplo, centro de reciclagem).

Garantia

O importador garante este produto por um período de 24 meses (*) a partir da data de compra, e cobre a reparação sem encargos com mão-de-obra e materiais, avarias devidas a defeitos de fabricação ou componentes defeituosos, reservando-se o responsável pela garantia, segundo o seu próprio critério, o direito de substituição por aparelho igual ou equivalente.

A garantia não cobre as avarias provocadas por uso indevido, instalação incorreta, descargas elétricas, dano intencional do aparelho ou por causas estranhas ao mesmo. A garantia não cobre assim danos atribuíveis a quedas, pancadas, derrame de líquidos, exposição a condições extremas do meio ambiente ou deterioração provocada pelo uso normal das partes plásticas ou teclados, bem como pelo uso de baterias diferentes das especificadas neste manual.

Se o aparelho avariar durante o período da garantia, deverá entrar em contacto com o estabelecimento vendedor e remeter o aparelho para o local por este indicado, fazendo-o acompanhar do certificado de garantia e respetiva prova de compra.

O consumidor goza de todas as garantias previstas na Diretiva 1999/44/CE do Parlamento Europeu e do Conselho, de 25 de maio.

(*) Apenas para países da União Europeia

Estimado cliente

Gracias por elegir un producto HÆGERTEC.

Los productos HÆGERTEC están diseñados para el bienestar de los consumidores, haciendo hincapié en los más altos estándares de calidad, funcionalidad y diseño. Estamos seguros de su satisfacción con la compra de este producto.

Este manual le ayuda a un uso adecuado de seguridad, y la economía de su horno.

Suponemos que el usuario tiene conocimientos generales sobre el manejo de los aparatos eléctricos.

Antes del primer uso, lea atentamente este manual de instrucciones y consérvelo para posteriores utilizaciones. Entréguelas en caso de traspasar el aparato a terceros.

Información importante sobre seguridad

Antes de la instalación de cualquier aparato eléctrico deben seguir las precauciones básicas de seguridad, entre ellas las siguientes:

- No deje nunca el aparato desatendido durante su funcionamiento.
- **Este aparato puede ser usado por niños de 8 o más años de edad y personas con capacidades físicas, sensoriales o mentales reducidas, o falta de experiencia y conocimientos, si reciben supervisión o instrucciones sobre el uso del aparato de forma segura y comprenden los riesgos implicados. Los niños no deben jugar con el aparato. La limpieza y el mantenimiento del usuario no deben ser realizados por niños menores de 8 años, y en este caso con supervisión.**
- Vigile a los niños para asegurarse de que no juegan con el aparato.
- No debe abrir la carcasa ni intentar reparar el horno. En este caso no estará protegido y perderá el derecho a la garantía. Cuando se estropee, haga reparar el horno de asar únicamente por su distribuidor o por personal especializado y autorizado.
- En caso de una clavija de red dañada o cable de red dañado, encomiende su sustitución a personal técnico autorizado o al servicio de posventa con el fin de evitar riesgos.
- No deje que se introduzcan líquidos en la carcasa del horno eléctrico. El aparato no debe estar expuesto a humedad ni utilizarlo tampoco a la intemperie. Además, no debe colocar objetos llenos de líquido, como p.ej. jarrones, encima del aparato. **¡Existe peligro de incendio y de descarga eléctrica!** Si por cualquier motivo penetrase líquido en la carcasa del

aparato, retire inmediatamente la clavija de red de la base de enchufe y llévelo a reparar.

- Durante el funcionamiento no deben encontrarse materiales fácilmente inflamables a inmediata proximidad del horno eléctrico (p.ej. paños o guantes de cocina, etc.). No seque nunca tejidos u objetos encima de, sobre o dentro del aparato. **¡Existe peligro de incendio!**
- No toque nunca las resistencias ni la ventana durante el funcionamiento o antes de que el horno de asar se haya enfriado. No introduzca la mano dentro del horno durante el funcionamiento. Espere a que el aparato se haya enfriado. De lo contrario, podría quemarse.



CAUTION, HOT SURFACE! - Debido a que la carcasa y la ventana de la puerta se calientan mucho durante el funcionamiento, debe utilizar un guante de cocina o similar para abrir la puerta del horno. De lo contrario, puede quemarse.

- Deje que el horno se enfríe después de su uso antes de transportarlo.
- No toque nunca el aparato, cable ni clavija de red con manos húmedas. De lo contrario, existe peligro de descarga eléctrica.
- Extraiga siempre el cable de red del enchufe tirando de la clavija y nunca directamente del propio cable.
- No doble ni aplaste el cable de red. Colóquelo de modo que no pueda tropezar o pisarlo. No debe usar ningún prolongador de cable.
- Si no utiliza su horno eléctrico durante largo espacio de tiempo, se debe desconectarlo de la red eléctrica. Sólo si extrae la clavija de red del enchufe, estará totalmente libre de corriente.
- No utilice ningún tipo de temporizador externo o un sistema de control remoto para accionar el aparato.

ESTE PRODUCTO ES SOLO PARA USO DOMÉSTICO

Uso prescrito

El horno eléctrico sirve para calentar, asar y hacer comidas a la parrilla. Ha sido previsto exclusivamente para este fin y sólo debe utilizarse para ello. Forma parte de su uso el tener en cuenta todas las informaciones contenidas en las instrucciones de servicio y sobretodo lo que a las indicaciones de seguridad se refiere. Cualquier otro uso se considera como no conforme al previsto y puede provocar daños materiales e incluso personales.

El fabricante no se hace responsable de los daños que pudieran ser ocasionados por un uso no previsto del aparato.

Contenido del embalaje

- Horno eléctrico
- una rejilla + una bandeja + bandeja para migas
- un asa para la parrilla/bandeja
- Instrucciones de uso

Colocación

Ponga el aparato sobre una base firme, plana y resistente al calor. Procure que haya una ventilación suficiente alrededor del aparato.



¡Riesgo de incendio!

La distancia entre la parte posterior del aparato y la pared debe ser de 10 cm como mínimo, también de 30 cm como mínimo en la parte superior y 5 cm en cada uno de los laterales. Por ello, no se debe instalar el aparato en armarios o similares. De lo contrario, no se realiza una ventilación suficiente del horno y se podría producir un incendio o dañar el aparato.



¡Riesgo de incendio!

Coloque el horno eléctrico únicamente sobre una base firme, plana y resistente al calor. De lo contrario, existe peligro de incendio y el aparato podría dañarse. La zona debajo del fondo del aparato podría colorearse y dañarse. Además, al poner el aparato sobre una base blanda, se podrían producir marcas permanentes en la base.



¡Peligro por descarga eléctrica!

No coloque el aparato a proximidad del agua, como p.ej. cerca de fregaderos, lavabos o en sótanos húmedos. De otro modo existe riesgo de descarga eléctrica.

- **No** se apoye en la puerta de cristal.
- **No** coloque ningún objeto sobre la puerta de cristal. Esto produce daños en las bisagras.

Elementos de mando

- | | |
|-----------------------------------|------------------------------|
| 1. Cabina | 2. Regulador de Temperatura |
| 3. Selector flujo de aire | 4. Selector de calentamiento |
| 5. Lámpara piloto | 6. Manija de la puerta |
| 7. Puerta en vidrio | 8. Reloj programador |
| 9. Parrilla | 10. Bandeja |
| 11. Tenedor para parrilla/bandeja | 12. Bandeja para migas |

Mando de temperatura: Para seleccionar la temperatura deseada de 100 °C a 230 °C.

Mando temporizador (0-60min): Gire el mando hacia la derecha (sentido horario), el horno se apagará automáticamente al final del tiempo seleccionado con un pitido. Al ajustar el temporizador a menos de 5 minutos, darle vuelta a más de 6 minutos y luego de vuelta al tiempo deseado.

Luz Interior: la luz interior se enciende una vez el tiempo es establecido.

Indicador de alimentación: Se ilumina cuando el horno está encendido.

Conmutador de Función



Posición de apagado



Cocción superior. Ideal gratinado.



Cocción inferior. Ideal para asar a la parrilla.



Cocción superior e inferior. Ideal para carnes asadas y tostadas.



Cocción superior y inferior con flujo de aire.

Puesta en Funcionamiento

1. Saque el horno eléctrico y todos sus accesorios de su embalaje de transporte.



¡Peligro de atrapamiento!

Al abrir o cerrar la puerta, no ponga los dedos en las bisagras de la misma. Podría pillarse los dedos.

2. Antes de la primera puesta en marcha, debe limpiar el aparato y todos los accesorios de los posibles restos del embalaje. Limpie los accesorios con una solución jabonosa templada y suave y, a continuación, séquelos.
3. Limpie la carcasa del aparato con un paño ligeramente humedecido en agua y después séquelo con cuidado.
4. Cuando el aparato esté seco por dentro y por fuera, enchufe la clavija de red en su correspondiente base de enchufe (220-240 V~ 50 Hz) de la pared.
5. Ahora, conecte el aparato sin introducir los accesorios ni alimentos. Deje la puerta del aparato completamente abierta.
6. Ajuste el regulador de temperatura a 230° C. Ponga el selector de función en la posición de función simultánea.
7. Ajuste el reloj programador a 15 minutos.



El aparato sólo se puede conectar con el reloj programador. Tan pronto como se ha ajustado el reloj programador, se ilumina el piloto de control.

Como los elementos calentadores están ligeramente engrasados, puede suceder que durante esta primera puesta en funcionamiento se desprenda un poco de olor. Este olor es inofensivo y cesa al poco tiempo. Abra la ventana y procure que haya suficiente ventilación.

- Después de que el aparato se desconecte automáticamente, ponga el selector de función en OFF.
- Extraiga la clavija de red de la base de enchufe y espere a que el aparato se enfríe.
- A continuación, limpie el interior del horno con un paño ligeramente humedecido en agua y séquelo.

Desconexión y transporte

Apagar

- Ponga el selector de calentamiento y el reloj programador en la posición OFF (apagado). Extraiga la clavija de red de la base de enchufe.

Transporte

- Si desea transportar el horno de asar, deje que se enfríe primero.
- Desenchufe el cable de red de la base de enchufe.
- Enrolle el cable alrededor del gancho situado en la parte trasera.

Manejo

Uso como cocción y horno

- Saque la parrilla y la bandeja de hornear del aparato. En caso necesario, cúbralas con papel de horno o unte mantequilla o aceite en la bandeja.
- Deje que el aparato alcance la temperatura deseada durante unos 10 minutos (dependiendo del ajuste de temperatura):
 - Seleccione la temperatura deseada con el regulador de temperatura. En la función de cocción, debe seleccionar siempre la temperatura más alta (230° C).
 - A continuación, con el selector de función seleccione entre función cocción superior (p.ej. para gratinar), función inferior (p.ej. para tartas) o función simultánea (p.ej. para pizza). Si desea gratinar, ponga el selector de función siempre en la posición superior.
 - Con el reloj programador ajuste el tiempo de precalentado (unos 10 minutos).

- Cierre la puerta de cristal.

3. Si ha pasado el tiempo, ponga los alimentos para hornear o gratinar en la parrilla o la bandeja y deslícela por los carriles. Al hacerlo, tenga cuidado de que exista una distancia suficiente entre los alimentos y las paredes interiores y los elementos calentadores.



Obtendrá unos resultados de cocción más uniformes si coloca la bandeja o la parrilla en el carril central.

4. Cierre la puerta de cristal antes de empezar a hornear los alimentos.



Si está preparando alimentos con un contenido especialmente elevado de grasa, es posible que se forme más humo. En ese caso, no cierre completamente la puerta de cristal, sino deje abierta una rendija: Si cierra con cuidado la puerta, ésta se enclavará brevemente en esa posición antes de cerrarse.

5. Con ayuda del reloj programador, ajuste el tiempo de gratinado u horneado que desee.
6. El tiempo máximo de gratinado u horneado es de 60 minutos.
7. Si el tiempo de cocción de sus alimentos es menor de 5 minutos, ajuste primero el reloj programador más de 6 minutos y después reduzca hasta el tiempo de gratinado u horneado que desee.
8. El piloto de control indica que su horno de asar está encendido. El botón del reloj programador se mueve ahora en dirección antihorario hacia la posición OFF (cero).



Cuando su horno de asar ha alcanzado la temperatura deseada, se desconectan intermitentemente los elementos calentadores para mantener la temperatura que se ha ajustado.

9. El aparato se desconecta automáticamente una vez transcurrido el tiempo que se ha ajustado. Si desea desconectar antes el aparato, gire el reloj programador hasta la posición OFF. Ponga el selector de función en la posición OFF y desenchufe la clavija de la base de enchufe. Escuchará una señal de campanilla y el piloto de control se apagará.



Después de desconectar el aparato, el reloj programador todavía puede funcionar durante un breve periodo.

10. Para sacar la parrilla o la bandeja, utilice siempre el asa que se suministra.
 - Para sacar la parrilla, tiene que introducir los ganchos pequeños del asa desde arriba en la rejilla.
 - Para sacar la bandeja de hornear del aparato, tiene que introducir los ganchos grandes del asa en el borde delantero de la bandeja.

11. Después de gratinar u hornear los alimentos, ponga el selector de función en posición OFF (apagado). Extraiga la clavija de red de la base de enchufe. Deje enfriar el aparato antes de limpiarlo o utilizarlo de nuevo.

Uso como asador y horno con flujo de aire

Si utiliza el horno para hornear o gratinar con flujo de aire, por regla general puede renunciar al precalentamiento del horno. El resultado de cocción y de tueste es más uniforme al usar recirculación de aire.

Cuando utilice la circulación de aire, siga las instrucciones de preparación de las recetas.

1. Conmute el selector para posición de flujo de aire. Empezará a funcionar el ventilador del interior del horno.
2. El resto del manejo es similar al del gratinado y horneado sin circulación de aire.

Limpieza

Extraiga siempre la clavija de red de la base de enchufe antes de limpiar el horno de asar. ¡Existe peligro de descarga eléctrica!



¡Peligro por descarga eléctrica!

No introduzca nunca el aparato en agua durante su limpieza. ¡Existe peligro de descarga eléctrica!



¡Cuidado!

No utilice ningún producto de limpieza para el hogar ni objetos afilados o puntiagudos para eliminar la suciedad. Si lo hace, podría dañar el horno de asar y sus paredes interiores, que disponen de un revestimiento especial.

- No obstante, si alguna vez quedara suciedad, puede limpiar el horno de asar con un paño suave embebido en una solución jabonosa suave.
- Limpie la bandeja y la parrilla en una solución de lavavajillas. La suciedad resistente puede eliminarse dejándola en remojo. Enjuague los restos de detergente con agua fresca.



¡Peligro por descarga eléctrica!

Antes de volver a utilizar el aparato después de la limpieza, éste debe estar completamente seco. Por ello, deje la puerta del aparato abierta después de la limpieza.

Eliminación de problemas

Síntoma	Posible causa y solución
El horno eléctrico no se calienta.	El reloj programador se encuentra en 0 minutos. Ajuste el reloj programador en un período de tiempo mayor de 0 minutos. Un fusible doméstico está defectuoso. Verifique los fusibles domésticos y reemplácelos en caso necesario. El tomacorriente está defectuoso. Pruebe con otro tomacorriente. Posiblemente el horno-asador está defectuoso. Mande a revisar el horno-asador por personal especializado.
No es posible desconectar el horno.	Una pieza electrónica del aparato está defectuosa. Retire el enchufe de la toma-corriente y mande revisar el horno por personal especializado.
El vidrio de la puerta se rompió o presenta fisuras.	Mande a reparar el horno por personal especializado.

Si a pesar de todo no logra eliminarse un problema, sírvase contactar a su distribuidor o al fabricante.

Datos técnicos

Tensión de red: 220 - 240V~, 50Hz

Potencia nominal: 1500W

Capacidad: 35 Litros

Dimensiones (L x P x A):..... 524 x 475 x 300mm

Peso neto: 8.5 kg

Conformidad CE

Este producto ha sido probado y producido de acuerdo con las normativas actuales y pertinentes, tales como:



- Directiva de compatibilidad electromagnética 2014/30 /EU,
- Directiva de baja tensión Directiva (LVD) 2014/35 / EU,
- Directivas RoHS 2011/65/UE y (UE)2015/863,

y ha sido construido de acuerdo con las últimas normas de seguridad.

La marca CE certifica este producto con todas las directivas relevantes relacionadas.

La eliminación de la unidad



Tenga en cuenta el medio ambiente

Nunca tirar el aparato a la basura normal.

Este producto cumple con la Directiva Europea 2012/19/EC.

■ Elimine el aparato a través de una empresa de evacuación de basuras autorizada o por medio del centro de evacuación de basuras municipal.

Tenga en cuenta las normativas actuales en vigor. En caso de duda póngase en contacto con el centro de evacuación de basuras.

El material de embalaje debe desecharse de forma respetuosa con el medio ambiente.

Si desea desechar el aparato, corte el cable y entréguelo en el centro de evacuación de basuras municipal para su destrucción.

Garantía

Este producto está cubierto por una garantía de 24 meses (*) a partir de la fecha de compra, y abarca la reparación sin cargos de mano de obra y materiales, de los fracasos debido a defectos de fabricación o componentes defectuosos, reservándose el responsable de la garantía, de acuerdo a su propia discreción, el derecho a la sustitución por aparato igual o equivalente.

La garantía no cubre daños causados por mal uso, instalación inadecuada, descargas eléctricas, el daño intencional de los equipos o la misma causa extraña. La garantía no cubre los daños imputables a caídas, golpes, derrame de líquidos, exposición a condiciones extremas del medio ambiente o los daños causados por el uso normal de las piezas de plástico o teclados, así como por el uso de pilas o acumuladores distintas de las especificadas en el manual.

Si el mal funcionamiento del equipo durante el período de garantía, deberá ponerse en contacto con el vendedor establecimiento y enviar la unidad al lugar fijado por él, que le siguen el certificado de garantía y su prueba de compra.

El consumidor disfruta de todas las garantías previstas en la Directiva 1999/44/CE del Parlamento Europeo y del Consejo, de 25 de mayo.

(*) Solo para países de la Unión Europea

Cher Client

Merci d'avoir choisi un produit HÆGERTEC.

Les produits HÆGERTEC sont conçus pour le bien-être du consommateur, en insistant sur les plus hauts standards de qualité, de fonctionnalité et de design. Nous sommes certains de leur satisfaction à l'achat de ce produit.

Cette notice d'utilisation vous aidera à utiliser le four conformément à sa destination, de manière sûre et économique.

Nous supposons que l'utilisateur détient des connaissances générales sur l'emploi des appareils électroménagers.

Conservez ce mode d'emploi pour toutes questions ultérieures – et remettez-le également en même temps que l'appareil si vous le confiez à une autre personne.

Informations importantes de sécurité

Avant l'installation de tout appareil, vous devez suivre les précautions de sécurité élémentaires, dont les suivantes :

- Pendant l'exploitation, ne laissez jamais l'appareil sans surveillance.
- **Cet appareil peut être utilisé par les enfants de 8 ans et plus et les personnes atteintes de handicap mental, physique ou sensoriel ou les personnes qui manquent d'expérience ou de connaissances s'ils sont supervisés ou s'ils ont reçu des instructions à propos de l'utilisation de l'appareil d'une manière sûre et s'ils en comprennent les dangers. Les enfants ne doivent pas jouer avec l'appareil. Le nettoyage et l'entretien par l'utilisateur ne peuvent pas être effectués par les enfants à moins qu'ils soient âgés de plus de 8 ans et supervisés.**
- Les enfants doivent être surveillés afin d'éviter qu'ils ne jouent avec l'appareil.
- Il est absolument interdit d'ouvrir le boîtier de l'appareil ou de chercher à réparer. Dans ce cas, la sécurité n'est plus assurée et vous perdez le bénéfice de la garantie. Pour toute réparation, amener l'appareil chez le revendeur ou chez un professionnel agréé.
- Faites immédiatement remplacer la fiche secteur ou le cordon d'alimentation endommagé par un technicien spécialisé ou par le service clientèle afin d'éviter tout danger.
- Eviter toute introduction de fluide dans le corps de l'appareil. Ne pas exposer l'appareil à l'humidité. L'utilisation de l'appareil à l'extérieur est interdite. Eviter également de poser l'appareil sur des récipients contenant un liquide (vases, etc.). Risque d'incendie ou d'électrocution ! Si toutefois du

liquide devait pénétrer dans le boîtier de l'appareil, débranchez immédiatement la fiche de la prise de courant et confier l'appareil à un atelier spécialisé pour vérification.

- Eviter toute présence de matériau inflammable à proximité de l'appareil lorsqu'il est en marche (chiffon, torchon, etc.). Ne jamais utiliser l'appareil pour sécher des textiles ou un objet quelconque, que ce soit en posant l'objet à sécher sur ou dans le mini-four. Danger d'incendie !
- **Ne jamais** toucher les barreaux chauffants ou la vitre en cours de fonctionnement : attendre que le mini-four soit refroidi. Ne pas mettre la main dans l'enceinte de chauffe en cours de fonctionnement. Attendre que l'appareil soit refroidi. Sinon risque de brûlure.



CAUTION, HOT SURFACE ! - Le boîtier et la fenêtre de la porte vitrée deviennent très chaud en cours de fonctionnement : utiliser un chiffon ou similaire pour ouvrir. Sinon risque de brûlure.

- Laisser le mini-four se refroidir après utilisation, avant de le changer de place.
- Ne jamais saisir avec des mains humides l'appareil ou le câble ou la fiche. Risque d'électrocution.
- Pour débrancher la fiche, prendre soin de toujours tirer sur la fiche elle-même et pas sur le cordon.
- Ne pas plier ou écraser le cordon d'alimentation.
- Acheminer le cordon d'alimentation de telle manière que personne ne puisse marcher ou trébucher dessus.
- L'utilisation d'une rallonge est interdite.
- Si le mini-four doit rester inutilisé pour une longue période, le débrancher de la prise secteur. Il est totalement libre de courant uniquement si vous débranchez la fiche de la prise secteur.
- Ne pas utiliser de minuterie externe ou de dispositif de commande à distance pour faire fonctionner l'appareil.

Ce produit est destiné à un usage domestique

Usage conforme

Le four électrique est destiné au réchauffage ou à la cuisson d'aliments. Il est destiné exclusivement à cet usage et toute autre utilisation est à proscrire. Veuillez également à respecter toutes les informations figurant dans ce mode d'emploi, en particulier les consignes de sécurité. Toute autre utilisation est considérée comme non conforme et peut conduire à des dommages matériels, voire à des accidents

La responsabilité du fabricant ou l'importateur ne saurait être engagée en cas d'utilisation non conforme à la destination normale de l'appareil.

Contenu de l'emballage

- four électrique
- un grill + un plateau + plateau à miettes
- une poignée pour grille et plateau
- une notice

Installation

Disposer l'appareil sur une assise plane et stable, résistante à la chaleur. Vérifier qu'il y a un espace suffisant autour de l'appareil pour la ventilation.



Risque d'incendie !

Prévoir un espace d'au moins 10 cm entre l'arrière de l'appareil et le mur, au moins 30 cm d'espace libre au dessus et 5 cm sur les côtés. Ne pas installer l'appareil dans un buffet, une armoire ou tout espace confiné. En effet un espace libre suffisant doit être aménagé autour du mini-four pour la ventilation (sinon risque de surchauffe ou d'incendie).



Risque d'incendie !

Poser impérativement l'appareil sur une surface stable et plane, résistante à la chaleur. Sinon il y a un risque d'incendie et l'appareil peut être endommagé. La zone sous le fond peut se décolorer et être endommagé. D'autre part éviter d'installer l'appareil sur un support en matériau souple, ce qui risquerait de laisser des marques.



Risque de choc électrique !

Ne pas mettre l'appareil à proximité immédiate d'objets ou d'endroits humides tels qu'évier, baignoire, etc. Sinon risque d'électrocution.

- Ne pas prendre appui sur la porte vitrée.
- De même ne pas mettre d'objet sur la porte vitrée. Risque de dommage sur les charnières.

Éléments de réglage

- | | |
|---------------------------------|-----------------------------|
| 1. Boîtier | 2 Régulateur de température |
| 3. Sélecteur flux d'air | 4. Sélecteur de chauffage |
| 5. Témoin lumineux | 6. Poignée de porte |
| 7. Porte en verre | 8. Minuterie |
| 9. Grille | 10. Plateau |
| 11. Poignée pour grille/plateau | 12. Plateau à miettes |

Bouton Température : Choisissez la température désirée de 100 ° C à 230 ° C.

Bouton Minuterie (0-60min) : Tournez le bouton vers la droite (sens horaire), le four s'éteint automatiquement après le temps sélectionné par un bip. Si vous voulez un temps inférieur à 5 minutes, tournez le bouton pendant plus de 6 minutes, puis revenir en arrière.

Lumière intérieure : La lumière intérieure s'allume une fois l'heure réglée.

Voyant d'alimentation : s'allume lorsque le four est en marche.

Sélecteur de fonction



Position d'Arrêt.



Chaleur de haut. Idéal pour gratin.



Chaleur de fond. Idéal pour les grillades.



Chaleur de haut et de fond. Idéal pour rôtis e les toasts.



Chaleur sur le haut et bas avec fonction flux d'air.

Première mise en service

1. Sortir l'appareil et ses accessoires de son emballage.



Risque de blessure !

Ne pas mettre la main sur les charnières en ouvrant ou en fermant la porte. Risque d'accident aux mains.

2. Avant la première mise en service, enlever les éléments d'emballage éventuellement encore présents. Nettoyer les accessoires avec une lessive alcaline diluée et légèrement chaude, puis sécher.
3. Passer un chiffon humidifié avec de l'eau sur le boîtier de l'appareil, puis essuyer soigneusement.
4. Lorsque l'appareil est complètement sec à l'intérieur et à l'extérieur, brancher le connecteur dans une prise secteur de 230V~/50 Hz.
5. Mettre l'appareil sous tension sans les accessoires et sans aliment. Ouvrir complètement la porte de l'appareil.
6. Mettre le thermostat à 230°C. Mettre le sélecteur de fonction sur chaleur "haut + fond".
7. Mettre la minuterie sur 15 minutes.



Le four électrique ne peut être mis en route qu'avec la minuterie. Dès que la minuterie est en route, le témoin lumineux s'allume.

Les éléments chauffants étant légèrement graissés, une légère odeur peut se dégager lors de la première mise en service. Elle n'est pas dangereuse et se dissipe rapidement. Ouvrir la fenêtre et aérer.

8. Lorsque l'appareil s'arrête automatiquement, mettre le sélecteur de fonction sur OFF (arrêt).
9. Avant le nettoyage, débranchez la fiche secteur et attendre que l'appareil soit complètement refroidi.
10. Puis faire le nettoyage avec un chiffon légèrement humidifié et sécher.

Sécurisation et transport

Arrêt

- Mettre le sélecteur de convection ou flux d'air et la minuterie sur OFF (arrêt). Débrancher la fiche du cordon d'alimentation de la prise secteur.

Transport

- Si le mini-four doit être déplacé, le laisser d'abord refroidir.
- Retirer le cordon d'alimentation de la prise.
- Enrouler le cordon autour du support à l'arrière de l'appareil.

Opération

Cuisson et gratin

1. Sortir de l'appareil la grille et le plateau. Disposer le cas échéant une feuille de papier sulfurisé ou enduire le plateau de beurre ou d'huile.
2. Mettre l'appareil en chauffe 10 minutes environ (selon le réglage de température) jusqu'à la température souhaitée :
 - Sélectionner la température souhaitée avec le thermostat.
 - En mode "grill" (grillade) toujours choisir le niveau de température le plus élevé (230° C).
 - Puis mettre le sélecteur sur "haut" (pour dorer et gratiner, etc.), ou "fond" (pour une préparation pâtissière, etc.) ou "haut + fond" (pour une pizza, etc.). Pour une cuisson en mode grillade, tourner le sélecteur sur chauffage "haut".
 - Régler la minuterie sur le temps voulu de préchauffe (environ 10 minutes).
 - Refermer la porte vitrée.
3. Le délai écoulé, mettre le plat ou la préparation sur la grille ou le plateau et mettre en place dans l'un des guides du four. Vérifier qu'il y a un espace

suffisant entre le plat et les parois du four d'une part, et les éléments chauffants d'autre part.



Pour une cuisson la plus uniforme et régulière possible, il est recommandé de disposer le plateau ou la grille dans les guides du milieu.

4. Refermer la porte vitrée avant de lancer la cuisson.



Des fumées peuvent apparaître lors de la cuisson de préparations ayant une forte teneur en corps gras. Dans ce cas ne pas fermer complètement la porte vitrée, mais laisser entrouvert : en refermant la porte doucement, la porte présente une légère résistance sur cette position avant fermeture complète.

5. Mettre la minuterie sur le temps de cuisson souhaité.

6. Le temps maximal de la minuterie est de 60 minutes.

7. Lorsque le temps de cuisson pour la préparation du plat est en dessous de 5 minutes, mettre la minuterie d'abord plus de 6 minutes, puis la mettre sur le temps de cuisson normalement prévu.

8. Le témoin lumineux signale que le four électrique est en marche. Le bouton de la minuterie se déplace maintenant dans le sens horaire inverse vers OFF.



Lorsque le four électrique a atteint la température fixée au départ, les éléments chauffants fonctionnent de façon intermittente pour maintenir la température à la valeur fixée.

9. L'appareil s'arrête automatiquement lorsque le temps de la minuterie s'est écoulé. Tourner le bouton de la minuterie sur OFF pour arrêter la cuisson avant le délai initialement prévu. Mettre le sélecteur sur la position OFF et débrancher le connecteur de la prise secteur. Un bref signal sonore est émis et le témoin lumineux s'éteint.



La minuterie peut continuer à tourner un bref instant après arrêt de l'appareil.

10. Pour retirer la grille ou le plateau toujours utiliser la poignée fournie avec l'appareil.

- Pour sortir la grille, engager le petit crochet de la poignée par le dessus dans la grille.
- Pour sortir le plateau, engager le grand crochet de la poignée sur le bord avant du plateau.

11. A la fin du temps de cuisson remettre le sélecteur sur OFF (arrêt). Débrancher la fiche (connecteur) de la prise secteur. Laisser l'appareil se refroidir avant de le nettoyer ou de le réutiliser.

Cuisson avec chaleur tournante (convection forcée)

Pour une cuisson avec chaleur tournante, un préchauffage de l'appareil est en général inutile. Le degré de dorage et la cuisson sont plus homogènes en utilisant la chaleur tournante.

Noter les conseils donnés dans les recettes pour l'utilisation de la chaleur tournante.

1. Tournez le sélecteur de fonction à la position de flux d'air (chaleur tournante). Le ventilateur dans le four se met en marche.
2. Le reste des opérations est identique à une cuisson sans chaleur tournante.

Nettoyage

Avant de nettoyer l'appareil, toujours retirer la fiche de la prise secteur. **Risque d'électrocution !**



Risque de choc électrique

Ne plonger l'appareil en aucun cas dans l'eau pour le nettoyer. Risque d'électrocution !



Attention !

Ne pas utiliser de produit de nettoyage domestique ou d'objet coupant ou pointu pour éliminer les saletés. En effet il y aurait un risque d'endommager le revêtement spécial à l'intérieur de l'appareil.

- Si des dépôts néanmoins se forment, nettoyer le four électrique avec un chiffon doux légèrement imprégné de lessive alcaline.
- Nettoyer le plateau et la grille avec un produit pour lessive. Éliminer peu à peu les dépôts adhérents. Rincer ensuite à l'eau claire.



Risque de choc électrique

Avant de réutiliser l'appareil après nettoyage, attendre qu'il soit complètement sec. Laisser donc la porte de l'appareil ouverte après le nettoyage.

Suppression des dérangements

Symptôme	Cause possible et remède
Le four électrique ne chauffe pas.	La minuterie se trouve sur 0 minute. Réglez la minuterie sur une durée supérieure à 0 minute. Fusible du logement défectueux. Vérifiez les fusibles de votre logement puis changez-les le cas échéant. Prise femelle défectueuse. Essayez une autre prise. Le four grill automatique est peut-être défectueux. Faites-le vérifier par du personnel spécialisé.
Impossible d'éteindre le four.	Composant électronique défectueux. Débranchez la fiche mâle de la prise de courant puis faites vérifier le four grill automatique par du personnel spécialisé.
Porte en verre cassée ou fêlée.	Faites réparer le four par du personnel spécialisé.

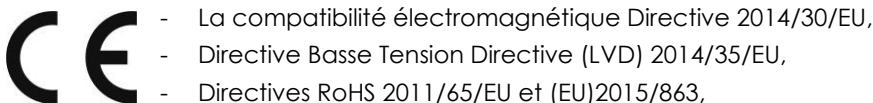
Si avec ce tableau vous ne parvenez pas malgré tout à supprimer le dysfonctionnement, veuillez s.v.p. vous adresser à votre revendeur ou au fabricant.

Données techniques

Tensions du secteur :220 - 240V ~50Hz
Puissance nominale :1500W
Capacité :35 Litres
Dimensions (L x P x H) : ...524 x 475 x 300mm
Poids net :8.5 kg

Conformité CE

Ce produit a été testé et produit selon toutes les directives européennes actuelles applicables, tels que :



et a été construit en conformité avec les dernières normes de sécurité.

Le marquage CE atteste ce produit à toutes les directives relevant.

Mise au rebut



Rappelons de notre environnement

L'appareil ne doit jamais être jeté dans la poubelle domestique normale.

■ Ce produit est soumis à la directive européenne 2012/19/EU.

Éliminez l'appareil par l'intermédiaire d'une entreprise de traitement des déchets autorisée ou via le service de recyclage de votre commune.

Veuillez respecter les règlements actuellement en vigueur. En cas de doutes, contactez votre organisation de recyclage.

Procédez à une élimination des matériaux d'emballage respectueuse de l'environnement.

Lorsque vous vous débarrassez de l'appareil, retirez le câble et l'éliminez dans un environnement (centre de recyclage, par exemple)

Garantie

Ce produit est couvert par une garantie de 24 mois (*) à compter de la date d'achat et couvre la réparation gratuitement avec le travail manuel et du matériel, des dommages dus à des défauts de fabrication ou de pièces défectueuses, en réservant les responsables sous garantie, selon sa propre discrétion, le droit de substitution, ou un appareil similaire.

La garantie ne couvre pas les dommages causés par une mauvaise utilisation, mauvaise installation, décharges électriques, dommage intentionnel de l'appareil ou les causes de l'étrange même. La garantie ne couvre pas les dommages attribuables à des chutes, ainsi, les bosses, les déversements, l'exposition à des conditions extrêmes de l'environnement ou les dommages causés par une utilisation normale des pièces en plastique ou des claviers, ainsi que par l'utilisation d'autres batteries que celles spécifiées dans le manuel.

Si l'appareil tombe en panne pendant la période de garantie, vous devez contacter l'établissement de vente et remettre l'appareil à l'endroit désigné par lui, lui causant d'accompagner le certificat de garantie et une preuve d'achat.

Le consommateur bénéficie de toutes les garanties prévues par la directive 1999/44/CE du Parlement européen et du Conseil du 25 Mai.

(*) Seulement pour les pays de l'Union Européenne

Meet the family



HÆGERTEC, s.a.

Edifício HÆGER – Pct. Cidade de Londres, 1
Parque Industrial do Arneiro
2660-456 S. Julião do Tojal
PORTUGAL
<https://www.haegergroup.com>

Tel: +351 21 949 83 00 (Geral)
Tel: +351 21 949 83 02 (Pós-Venda)
Fax: +351 21 949 83 25
e-mail: assistencia@haeger.pt
e-mail: comercial@haeger.pt

