

# HÆGER



**Microwave Oven**  
**Horno microondas**

**Forno Microondas**  
**Four à micro-ondes**

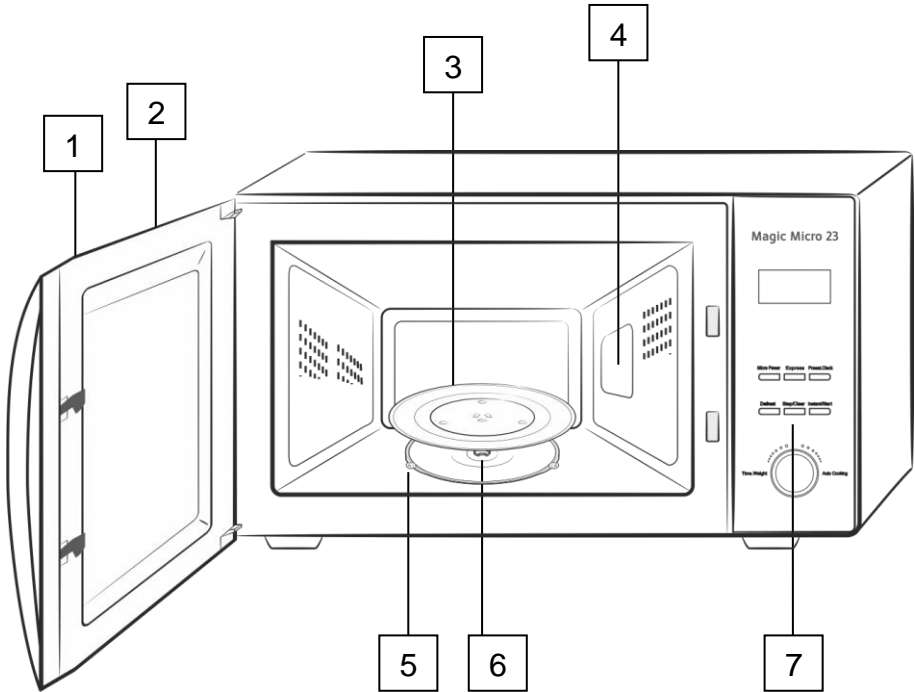
## Magic Micro 26

MW-80B.008A



**CE** RoHS

**Instruction Manual**  
**Manual de Instruções**  
**Manual de Instrucciones**  
**Mode d'emploi**



**CAUTION :** Hot surface  
**ATENÇÃO :** Superfície quente  
**ATENCIÓN :** Superficie caliente  
**ATTENTION :** Surface chaude

---

## Dear customer

Thank you for having chosen a HÆGER product.

The HÆGER products have been produced to think about the welfare of the consumer privileging the most raised standards of quality, functionality and assign. We are sure you will be happy with this appliance.

We assume that the user is familiar with the common procedures of handling household appliances.

Read the operating instructions carefully before putting the appliance into operation and keep the instructions including the warranty, the receipt and, if possible, the box with the internal packing. If you give this device to other people, please also pass on the operating instructions.

## General Safety Instructions

When using this or any other electrical appliance, always follow these basic safety precautions:



### **READ ALL INSTRUCTIONS BEFORE USE.**

- **This appliance can be used by children aged from 8 years and above and persons with reduced physical, sensory or mental capabilities or lack of experience and knowledge if they have been given supervision or instruction concerning use of the appliance in a safe way and understand the hazards involved.**
- **Children shall not play with the appliance.**
- **Cleaning and user maintenance shall not be made by children unless they are older 8 years and supervised.**
- **Keep the appliance and its cord out of reach of children less than 8 years.**

## English

---

- The appliance is designed exclusively for private use and for the envisaged purpose. This appliance is not fit for commercial use. Do not use it outdoors. Keep it away from sources of heat, direct sunlight, humidity (never dip it into any liquid) and sharp edges. Do not use the appliance with wet hands. If the appliance is humid or wet, unplug it immediately.
- When cleaning or putting it away, switch off the appliance and always pull out the plug from the socket (pull the plug itself, not the lead). If the appliance is not being used, remove the attached accessories.
- Do not operate the machine without supervision. If you leave the room you should always turn the device off. Remove the plug from the socket.
- Check the appliance and the cable for damage on a regular basis. Do not use the appliance if it is damaged.
- Do not try to repair the appliance on your own. Always contact an authorized technician. To avoid the exposure to danger, always have a faulty cable be replaced only by the manufacturer, by a qualified person and with a cable of the same type.
- Use only original spare parts.

### Important Safety Information!

Please read carefully and keep for future use.

- Do not heat cushions or pillows filled with grains, cherry pits or gel in the microwave oven. **DANGER OF FIRE!!!**
- **Warning:** When the door or the door seals are damaged, the microwave oven must not be used until it has been repaired by a qualified specialist.
- **Warning:** Please do not repair the device yourself, but have it repaired by an authorised specialist. Carrying out maintenance or repair work which involves removal of the cover that protects the surroundings from microwave radiation is dangerous unless carried out by an expert.
- **Warning:** Do not heat liquids in closed containers. Danger of explosion!
- **Warning:** Do not place your microwave in a cupboard. Please ensure that there is a minimum ventilation gap of 20cm from cupboards, walls etc. on all sides of the machine.
- **Warning:** Accessible parts may become hot during use. Young children should be kept away. Care should be taken to avoid touching heating elements inside the oven.



**WARNING: Surface are liable to get hot during use.**

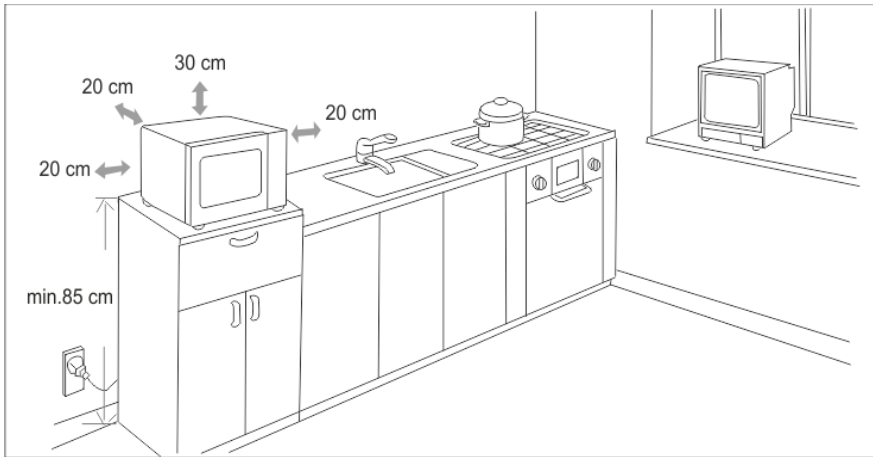
- **Note:** The microwave oven is not suitable for warming/heating up living animals.
- Only suitable tableware should be used such as: glass, porcelain, ceramics, heat-resistant plastic or special microwave tableware.
- If food is being heated or cooked in combustible materials, such as plastic or paper containers, the microwave should be checked frequently due to the risk of fire.
- If smoke is produced, turn the device off and remove the plug. Keep the door closed in order to suffocate any flames.
- **Delay in boiling:** During boiling, particularly during the reheating of liquids (water), it may happen that the boiling temperature has been reached but the typical bubbles have not yet started to rise. The liquid does not boil evenly. When the vessel is removed this so-called delay in boiling may result in the sudden formation of bubbles when the vessel is knocked, causing the water to boil over. **There is a serious danger of burns!** In order to achieve even boiling, please place a glass rod or similar item, but nothing metallic, in the vessel.
- The contents of babies' bottles and jars of baby food must be stirred or shaken and the temperature checked before use. **There is a danger of burns.**
- Food with a shell or skin, such as eggs, sausages, sealed jars etc. must not be heated up in the microwave as they may explode even when heating by the microwaves is finished.
- Any dirt on the door frame/door seal and neighbouring parts must be carefully cleaned with a damp cloth.
- Clean the microwave oven regularly and remove any food residues from the interior.
- If the machine is not clean the surface may be damaged, affecting its serviceable life and possibly resulting in hazardous situations.

## Overview of the Components

1. Door lock
2. Viewing window
3. Turntable glass tray
4. Wave guide cover
5. Turntable roller
6. Turntable shaft
7. Control panel

## Installation and connection

- Remove all packing material and accessories. Examine the oven for any damage such as dents or broken door. Do not install if oven is damaged.
- Remove any protective film found on the microwave oven cabinet surface.
- Do not remove the wave guide cover that is attached to the oven cavity to protect the magnetron.
- Select a level surface that provide enough open space for the intake and/or outlet vents.



- Minimum installation height is 85 cm.
- The rear surface of appliance shall be placed against a wall. Leave a minimum clearance of 30cm above the oven, a minimum clearance of 20cm is required between the oven and any adjacent walls.
- Do not remove the legs from the bottom of the oven.
- Blocking the intake and / or outlet openings can damage the oven.
- Place the oven as far away from radios and TV as possible. Operation of microwave oven may cause interference to your radio or TV reception.

- Plug your oven into a standard household outlet. Be sure the voltage and the frequency are the same as the voltage and the frequency on the rating label.



**The accessible surface may be hot during operation.**

**WARNING:** Do not install oven over a range cooktop or other heat producing appliance. If installed near or over a heat source, the oven could be damaged.

## Suitable Microwave Tableware

- The ideal material for use in a microwave is transparent and allows the microwave radiation to heat the food evenly.
- Microwaves are not able to penetrate metal, so that no metal vessels or plates should be used.
- Do not use any paper dishes made of recycled material as these may contain small amounts of metal, which may result in sparks or fires.
- Round/oval dishes and plates are more suitable than rectangular ones as the food in the corners may overcook.
- The list below is a general guide to help you select the correct utensils.

| COOKWARE                         | MICROWAVE |
|----------------------------------|-----------|
| Heat-Resistant Glass             | Yes       |
| Non Heat-Resistant Glass         | No        |
| Heat-Resistant Ceramics          | Yes       |
| Microwave-Safe Plastic Dish      | Yes       |
| Kitchen Paper                    | Yes       |
| Metal Tray or rack               | No        |
| Aluminium Foil & Foil Containers | No        |

## Using the Device

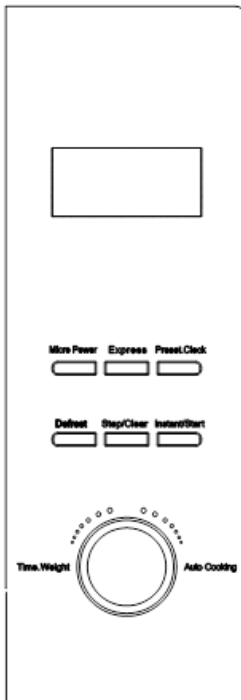
### What you should know about microwave operation

- Your device works with microwave radiation, which heats up water particles in food in a very short time. There is no heat radiation and therefore hardly any browning.
- Only food should be heated up with this device.
- The device is not suitable for baking in floating fat.

- Only 1-2 portions should be heated up at the same time. Otherwise the microwave will become less efficient.
- Microwaves provide their full energy levels immediately. Preheating is therefore not necessary.
- Never operate the microwave function when the oven is empty.
- The microwave oven does not replace your traditional cooker. It is used mainly for:
  - defrosting deep-frozen food
  - rapid warming/heating of food or drinks
  - cooking meals
- Please do not use any plastic or paper tableware.

## Control Panel Operation

### 1. SWITCHES ON THE CONTROL PANEL



**Micro Power** – Selection of power levels of the microwave.

**Express** – Selection of time 0:30, 1:00, 1:30.

**Preset.Clock** – In conjunction with the rotary knob for setting the time or starting time.

**Defrost** – Automatic defrost three selectable programs based on food type and weight.

**Stop/Clear** – Press to cancel setting or reset the oven before setting a cooking program.

Press once to temporarily stop cooking, or twice to cancel cooking altogether.

**Instant/start** - On the standby status, the oven will start express cook with high power (100%) for one minute. You can increase or decrease cooking time by turning **Auto Cooking/ Time.Weight** knob.

**Time.Weight /Auto Cooking** – Rotating knob for selecting the time or weight or Auto cooking menu.



## 2. CLOCK SETTING

When the microwave oven is electrified, the LED flashes 3 times and then display flashing colon “:”, prompting you to input the time. Follow the below steps to set the current time.

| Example: to set 12:30 |   |              |
|-----------------------|---|--------------|
|                       | Steps   | Display      |
| 1                     | After power-up, the colon flashes.  | :            |
| 2                     | Press <b>Preset.Clock</b> button once   | <b>00:00</b> |
| 3                     | Turn <b>Auto Cooking/Time.Weight</b> knob to set the hours.   | <b>12:00</b> |
| 4                     | Press <b>Preset. Clock</b> button once again.   | <b>12:00</b> |
| 5                     | Turn <b>Auto Cooking/Time.Weight</b> knob to set the minutes.   | <b>12:30</b> |
| 6                     | Press <b>Preset. Clock</b> button once again or wait for 5 seconds, and the numbers will go steadily. |              |

**Note:** If you press the "Stop/Clear" button while setting the time, cancel the program/setting.

**Note:** Always set the time when you plug in the power cord or after power interruption.

## 3. MICROWAVE COOKING

This function is used for cooking and heating food.

- 1) Place the food to be heated up into suitable tableware.
- 2) Open the door and place the vessel in the middle of the glass plate. Then close the door. (For safety reasons the device only works when the door is firmly closed.
- 3) Press the "**Micro Power**" control button until the desired function is been displayed on the screen. The table below indicates 5 microwave power options with corresponding signs and functions:
- 4) Turn the "**Time.Weight**" button to set the cooking/warming time. The LCD screen will display the time you have chosen.
- 5) Press the "**Instant/Start**" button to start the cooking/warming process. The LCD screen displays the countdown of the selected cooking time.

- 6) After that time has elapsed, the device switches off and the LED display will show **End** and 3 beep sounds will be heard. Then you can remove the food.

| Display % | Power       | Microwave power (Watts) | Application                                |
|-----------|-------------|-------------------------|--|
| 100P      | High        | 800                     | Applicable for quick and thorough cooking. |
| 80P       | Medium High | 640                     | Applicable for medium express cooking.     |
| 60P       | Medium      | 480                     | Applicable for steaming food.              |
| 40P       | Medium Low  | 320                     | Applicable for defrosting food.            |
| 20P       | Low         | 160                     | Applicable for keeping food warm.          |

| Example: To cook at 80P for 10 minutes. |  |         |
|---|--|---------|
|   | Steps  | Display |
| 1                                       | After power-up, the colon flashes.   | :       |
| 2                                       | Select the desired microwave power by pressing <b>Micro Power</b> button consecutively.  | 80P     |
| 3                                       | Set cooking time by turning <b>Auto Cooking/ Time.Weight</b> knob.                       | 10:00   |
| 4                                       | Press <b>Instant/Start</b> button to start and LED will count down to show running time. |         |



## CAUTION

- The max time which can be set is 60 minutes
- Never operate the microwave oven empty.
- If you want to turn the food during operation, press the "**Stop/Clear**" button once and the process will stop. After you turn the food, press the "**Instant/Start**" button and the preset cooking procedure will continue.
- To stop the process before the end of the setting time, press "**Stop/Clear**" button twice to cancel the preset procedure and avoid unintended operation of next time use.

- e. At the maximum microwave power, the oven will automatically lower the power after a certain time of cooking to lengthen the service life.

#### 4. EXPRESS WARMING FUNCTION

This function will allow you to heat food or beverage briefly. Choose the proper time (0:30, 1:00, 1:30) depending on the food or beverage capacity.

- 1) Press the "**Express**" button to select the desired time (0:30, 1:00 or 1:30 minutes).
- 2) Press the "**Instant/Start**" button to start the express warming process. The LCD screen displays the countdown of the selected cooking time.
- 3) To stop the process before the end of the setting time, press "**Stop/Clear**" button twice.
- 4) Once the process is completed, the screen displays the time and a beep will sound three times, indicating that the time is completed.

#### 5. DEFROST

This function allows you to defrost food based on type and the weight entered by user. The defrosting time and power level are automatically set once the food category and the weight are programmed. The frozen food weight ranges from 100g to 3000g.

The selected time could not be increased during defrosting function.

- 1) Press the "**Defrost**" button to select the type of food (d.1, d.2, d.3). The table shows the three options to defrost food:

|     |  |
|-----|--|
| d.1 | For defrosting meat, the weight ranges from 0.1 to 2.0 kg.   |
| d.2 | For defrosting poultry, the weight ranges from 0.2 to 3.0kg. |
| d.3 | For defrosting seafood, the weight ranges from 0.1 to 0.9kg. |

- 2) Turn the "**Auto Cooking/ Time.Weight**" selector to set the weight. The LCD screen will display the weight you have chosen.
- 3) Press the "**Instant/Start**" button to start the defrosting process. The LCD screen displays the required defrosting time according to the weight of food you selected and the countdown of the selected cooking time.
- 4) In half way during defrosting process a 2-beep sound will be heard 3 times to prompt you turn over the food. Press the "**Stop/Clear**" button once and the

process will stop. After turning the food, press the **Instant/Start** button and the preset defrosting procedure will continue.

- 5) To stop the process before the end of the setting time, press "**Stop/Clear**" button twice.
- 6) Once the process is completed, the screen displays the time and a beep will sound three times, indicating that the time is completed.

### **CAUTION**

- a. It is necessary to turn over the food during operation to obtain uniform effect.
- b. Usually defrosting will need longer time than that of cooking the food.
- c. If the food can be cut by knife, the defrosting process can be considered completed.
- d. Microwave penetrates around 4cm into most food.
- e. Defrosted food should be consumed as soon as possible, it is not advised to put back to fridge and freeze again.

## 6. AUTO MENU

The microwave oven has default cooking menu. Select the appropriate menu depending on the type of food and weight according to the following table, otherwise the cooking effect will be greatly affected.

- 1) In the waiting state, turn the **Auto Cooking/Time.Weight** knob to choose the menu (A.1, A.2, ..., A.8). The below table shows the 8 options for cooking food.
- 2) Press the "**Instant/Start**" button to start the cooking process. The LCD screen displays the countdown of the selected cooking time.
- 3) To stop the process before the end of the setting time, press "**Stop/Clear**" button twice.
- 4) Once the process is completed, the screen displays the time and a beep will sound three times, indicating that the time is completed.

### **CAUTION**

- a. The food temperature before cooking should be 20-25°C. Higher or lower temperature of the food would require increase or decrease of cooking time.
- b. The temperature, weight and shape of food will largely influence the cooking effect. If any deviation has been found to the factor noted on above menu, you can adjust the cooking time for best result.

| Display | Kind     | Method   |
|---------|----------|--|
| A.1     | Popcorn  | Suitable for popping a bag of corn, which is available in the market, weighted 85g. Popcorn prior to completing, if the popping speed has been decreased to 1 time per 1-2 seconds you should press Stop/Clear button to stop the popping process.   |
| A.2     | Popcorn  | Same as A.1 except 100g weight.  |
| A.3     | Pizza    | Warm a piece of chilled pizza of 0.15kg.   |
| A.4     | Beverage | Heating a cup of 250 ml liquid. The liquid temperature is about 5-10°C. Use a big mouth cup and do not seal.   |
| A.5     | Beverage | Heating a cup of 500 ml liquid. The liquid temperature is about 5-10°C. Use a big mouth cup and do not seal.   |
| A.6     | Potato   | Cooking the potato strips, cut into 5mm width and height, length. Total weight is about 0.45kg. Place the strips on a large dish and cover the dish with a thin film to prevent water loss.  |
| A.7     | Potato   | Same as A.6 except the weight of potato strips is about 0.65kg.  |
| A.8     | Fish     | Suitable for steaming a fish of 0.45kg. After the fish washed and scales removed, make a slit on the skin of fish. Put the fish on a shallow dish of 22-27cm diameter sprinkle lightly with some ingredient and cover the dish with a thin film to prevent water loss. After cooking, stand for 2 minutes. |

## 7. AUTOMATIC START AT PRESET TIME

If you do not want the menu be started immediately, you can preset the cooking menu and time and the preset menu will be automatically started at your set time. The setting will consist of 2 steps:

- A. Setting the current clock (see section "Clock setting")
- B. Setting the cooking menu and time.

**Example: Now it is 12:30 clock, if you hope that the microwave oven will automatically start cooking with 100P microwave power for 9 minutes and 30 seconds at 14:20.**

|     | Steps   | Display      |
|-----|---|--------------|
| 1   | After power-up, the colon flashes.  | :            |
| 1.1 | Press <b>Preset.Clock</b> button.   | <b>00:00</b> |
| 1.2 | Set hours by turning <b>Auto Cooking/Time.Weight</b> knob.  | <b>12:00</b> |
| 1.3 | Press <b>Preset.Clock</b> button again to confirm hours.  | <b>12:00</b> |
| 1.4 | Set minutes by turning <b>Auto Cooking/Time.Weight</b> knob.  | <b>12:30</b> |
| 1.5 | Press <b>Preset.Clock</b> button once or waiting for 5 seconds, and the numbers will go steady.   | <b>12:30</b> |
| 2   | Set the cooking menu and time   |              |
| 2.1 | Select cooking power by pressing <b>Micro Power</b> button.   | <b>100P</b>  |
| 2.2 | Turn <b>Auto Cooking/ Time.Weight</b> knob to set cooking time.   | <b>9:30</b>  |
| 2.3 | Press and hold <b>Preset.Clock</b> button for 3 seconds to return to current clock.   |              |
| 3   | Set the time you expect to start. Repeat the steps of 1.2, 1.3, 1.4.  |              |
| 4   | Press <b>Preset.Clock</b> button to confirm the preset time menu. Now the program has been activated and the menu will be started at 14:20. |              |
| 5   | You may check the preset starting time by pressing <b>Preset.Clock</b> button.  |              |



## ATTENTION

- a. When programming the automatic start at preset time function, you can select maximum 2 cooking functions.
- b. Do not select the **Defrost** function when you program this function.
- c. Do not press the "**Instant/Start**" key, when you complete all the necessary steps to program the cooking start time.

## 8. MULTI-SEQUENCE COOKING

To obtain best cooking result, some recipes need different cook mode and time during cooking process. You may program your personalized menu as follow:

| Example: You want cook food with 100P microwave for 3 minutes then 20P for 9 minutes. This is 2 sequence setting. |   |             |
|---|---|-------------|
|   | Steps   | Display     |
| 1   | 100P microwave for 3min.  |             |
| 1.1   | Press <b>Micro Power</b> button to select power level.          | <b>100P</b> |
| 1.2   | Turn <b>Auto Cooking/ Time.Weight</b> knob to set cooking time. | <b>3:00</b> |
| 2   | 20P for 9min.   |             |
| 2.1   | Press <b>Micro Power</b> button to select desired power level.  | <b>20P</b>  |
| 2.2   | Turn <b>Auto Cooking/ Time.Weight</b> knob to set cooking time. | <b>9:00</b> |
| 3   | Start cooking by pressing <b>Instant/Start</b> .                |             |

### ATTENTION

- a. Once the first cooking selection is completed, the second cooking selection will start automatically.
- b. You can set up to four different functions by repeating steps.

## 9. CHILD LOCK

Use to prevent unsupervised operation of the microwave oven by little children or when you are cleaning. All the buttons are rendered inoperable in this mode.

- 1) Set lock---In waiting state, press **Stop/Clear** button for 3 seconds.
- 2) Cancel lock--- In locked state press **Stop/Clear** button for 3 seconds.

## 10.AUTO REMINDER

When your preset cooking procedure have finished, the LED Display will show **End** and three beeps sound will be heard to prompt you to take out food. If you do not press **Stop/Clear** button once or open the door, the beep will be sounded at an interval of 3 minutes.

### **Cooking Tips**

The following factors may affect the cooking result:

#### **Food arrangement**

Place thicker food towards outside the dish, the thinner part towards the centre and spread it evenly. Do not overlap if possible.

#### **Cooking time length**

Start cooking with a short time setting, evaluate and extend it according to the actual need. Over cooking may result in smoke and burns.

#### **Cooking food evenly**

Food such as chicken, hamburger or steak should be turned once during cooking. Depending on the type of food, if applicable, stir it from outside to centre of the dish, once or twice, during cooking.

#### **Allow standing time**

After cooking is completed, leave the food in the oven for an adequate length of time. This allows it to complete the cooking cycle and cooling it down in a gradual manner.

#### **When the food is done**

Colour and hardness of food help to determine if it is done, these include:

- Steam coming out from all parts of food, not just the edge.
- Joints of poultry can be moved easily.
- Pork or poultry shows no signs of blood.
- Fish is opaque and can be sliced easily with a fork.

#### **Microwave thin film**

When cooking food with high fat content, do not allow the plastic wrap come into contact with food as it may melt.

#### **Microwave safe plastic cookware**

Some microwave safe plastic cookware might not be suitable for cooking foods with high fat and sugar content. Also, the preheating time specified in the dish instruction manual must not be exceeded.



## **Cleaning and maintenance**

Turn the microwave off and remove the mains plug.

**WARNING:** Never immerse the appliance or its power cable in water or in any other liquid.

**WARNING:** Never use gasoline, solvent, abrasive cleaning agents, metal objects or hard brushes to clean the appliance.

### **Interior**

- Keep the interior of the oven clean. Splashes and overflowing liquids on the walls of the oven can be removed with a damp cloth. If the oven is very dirty a mild detergent can also be used. Please do not use any abrasive detergents.
- Wipe off the viewing window on the inside and outside with a damp cloth and remove splashes and stains from overflowing liquids regularly.

### **External Walls**

- The external walls of the microwave should only be cleaned with a damp cloth. Please ensure that no water enters the openings in the housing and therefore inside the device.
- The switches should also only be cleaned with a damp cloth. In order to clean the function switch, first open the microwave door to avoid switching on the device so accidentally.

### **Accessories**

- The glass plate should occasionally be cleaned with washing-up liquid or in the dishwasher.
- The rotating ring and the inside floor of the oven should be cleaned regularly. The rotating ring can be removed and cleaned by hand. You may use a mild detergent or window cleaner for this. Please dry thoroughly afterwards. Ensure that the ring is put back in the correct position afterwards.

### **Odours**

- In order to remove any unpleasant odours that may emanate from the microwave, place a dish filled with water and lemon juice that is suitable for microwave use in the oven and heat it for approximately 5 minutes. Then wipe out the oven with a soft cloth.

### **Oven light**

- If you need to replace the lighting in the oven, please contact a specialist workshop near you.

### Storage

- If you do not intend to use the appliance for a long time, please store it carefully.
- Please make sure that the appliance is unplugged, cooled down and totally dry.
- Store the appliance in a cool and dry place.
- Keep the appliance out of the reach of children

### Troubleshooting

| <b>Problem</b>  | <b>Possible Reason</b>                            | <b>Solution</b>  |
|---|---|--|
| <b>Oven cannot be started.</b>                                  | 1) Power cable is not plugged in properly.        | Unplug. Then plug again after 10 seconds.  |
|   | 2) Fuse is blown or circuit breaker is activated. | Replace fuse or reset circuit breaker (repaired by professional personnel of our company). |
|   | 3) Trouble with outlet.                           | Test the outlet with other electrical appliances.  |
| <b>Oven does not heat.</b>                                      | 4) Door is not closed properly.                   | Close the door properly.   |
| <b>Glass turntable makes noise when microwave oven operates</b> | 5) Turntable and bottom of the oven is dirty.     | Refer to "Cleaning and Maintenance" section to clean dirty parts.                          |

## Technical Data

|                               |               |
|-------------------------------|---------------|
| Model:                        | MW-80B.008A   |
| Power supply                  | 230V~, 50Hz   |
| Power consumption microwave:  | 1280W         |
| Rated microwave power output: | 800W/2450 MHz |
| Cavity volume:                | 23 litres     |
| Protection class:             | I             |
| Net weight:                   | 11,7kg        |

### Information about microwave oven (Group II, class B according to EN 55011)

Electromagnetic waves are generated in the appliance, which excite the molecules in the food (primarily water molecules) to strong vibrations. Heat arises due to these vibrations. Therefore, foods with a high liquid content heat faster than relatively dry foods. Cookware is heated only indirectly by the foods. This product is an ISM appliance of Group 2, Class B. Group 2 includes all ISM appliances (industrial, scientific, medical) in which radio frequency energy arises and/or is used in the form of electromagnetic radiation to process material, as well as spark erosion devices. Class B is appliances for household use or appliances on power networks that feed residential buildings.

## Declaration of Conformity

This device has been tested according to all relevant current CE guidelines, such as electromagnetic compatibility and low voltage directives, and has been constructed in accordance with the latest safety regulations.

This product has been designed, manufactured and marked in compliance with:



- the safety objectives of Low voltage Directive 2014/35/EU;
- the protection requirements of EMC Directive 2014/30/EU;
- use of certain hazardous substances in electrical and electronic appliances conform to directive RoHS (EU) 2015/863.

The electrical safety of the appliance is guaranteed only if it is connected to an efficient and approved earthing system.

### Disposal – Environment policy

The appliance is manufactured using recyclable material.

**This appliance is marked according to the European directive 2012/19/EU on Waste Electrical and Electronic Equipment (WEEE).**

By ensuring this product is disposed of correctly, you will help prevent potential negative consequences for the environment and human health, which could otherwise be caused by inappropriate waste handling of this product.



This symbol on the product, or on the documents accompanying the product, indicates that this appliance may not be treated as household waste. Instead it shall be handed over to the applicable collection point for the recycling of electrical and electronic equipment.

Disposal must be carried out in accordance with local environmental regulations for waste disposal. Deliver the appliance immediately to an authorized dump; do not leave it unattended even for a few days, since it is potentially dangerous for children.

For more detailed information about treatment, recovery and recycling of this product, please contact your local city office, your household waste disposal service or the shop where you purchased the product.

## Warranty Declaration

Insofar as claims filed for elimination of deficiencies (applicable laws) are being processed, these shall be handled via the contractual partners. In addition, the distributor provides the following manufacturer's warranty:

1. For this device, the distributor grants a warranty period of 24 months (\*), figured from the date of purchase from the dealer; this must be verified by the original receipt, or other similar documents, in accordance with pertinent, existing guidelines.
2. Warranty claims shall be filed via a specialized dealer.
3. The voluntary warranty covers the rectification of any damage or deficiency that occurs during the warranty period and which is demonstrably due to material or production faults.
4. Not included in this voluntary warranty are damage and deficiencies resulting from incorrect connection, from improper handling, from non-observance of the programming instructions or instructions for use, or from force majeure. The voluntary warranty does not cover installation and programming work performed by the specialized dealer. In particular, no claim can be made for installation or programming work to be performed free of charge by the specialized dealer. The voluntary warranty does not cover deficiencies which have a negligible effect on the value or usability of the device. Further costs, such as for installation, transport and travel expenses are expressly excluded from the warranty.
5. It is at the discretion of the distributor to replace the device with an identical one instead of performing repairs. Further claims for damage are not permissible. Any data stored in the device will be lost after repair work or replacement of the device.
6. The voluntary warranty is nullified if changes are made to the product, or when the product is operated in a country for which it was not developed nor produced.
7. Fulfilment of the voluntary warranty presupposes that the device has been packed complete and protected against breaking and impacts (if possible, in the original packaging) and shipped with the warranty certificate from the specialized dealer.
8. If testing reveals that there are no grounds for warranty claims, or that the product does not exhibit any deficiencies, the costs for repair work and testing shall be borne by the user. The distributor processing the claim arising from the voluntary warranty is authorized to charge these costs to the user.
9. Services arising from the voluntary warranty affect neither an extension of the warranty period, nor do they mark the beginning of a new term for the voluntary warranty.
10. Warranty claims according to applicable law filed by the end customer shall neither be excluded, nor restricted by this independent manufacturer's declaration.

The user is protected by the guarantee indicated in the Directive 1999/44/CE issue by the European Parliament on 1999, May 25.

(\* ) Only for European Union countries

## Estimado Cliente

Obrigado por ter escolhido um produto HÆGER.

Os produtos HÆGER foram concebidos a pensar no bem-estar do consumidor, privilegiando os mais elevados padrões de qualidade, funcionalidade e designe. Estamos certos da sua satisfação pela aquisição deste produto.

Partimos do princípio de que o utilizador possui conhecimentos gerais sobre o manuseamento com eletrodomésticos.

Antes de pôr este aparelho a funcionar, leia atentamente as instruções de emprego e guarde-as muito bem, juntamente com o talão de garantia, o talão de compra e, tanto quanto possível, a embalagem com os elementos interiores. Se puser o aparelho a disposição de terceiros, entregue-lhes também as Instruções de Utilização.

## Instruções Gerais de Segurança

Ao usar este ou qualquer outro eletrodoméstico, siga sempre estas precauções básicas de segurança:



### **LEIA TODAS AS INSTRUÇÕES ANTES DO USO.**

- **Este aparelho pode ser utilizado por crianças com idade a partir de 8 anos e por pessoas com capacidades físicas, sensoriais ou mentais ou falta de experiência e conhecimento, se tiverem recebido supervisão ou instruções relativas à utilização do aparelho de forma segura e entender os riscos envolvidos.**
- **As crianças não devem brincar com o aparelho.**
- **Qualquer limpeza e ou manutenção não deve ser feito por crianças a não ser que tenham idade superior a 8 anos e sejam supervisionados.**
- **Mantenha o aparelho e o cabo de alimentação fora do alcance de crianças com menos de 8 anos.**

- Utilize o aparelho exclusivamente para fins privados e para a finalidade para a qual o mesmo foi concebido. Este aparelho não se destina a fins comerciais. Não o utilize ao ar livre. Mantenha-o protegido do calor, de irradiação solar direta, da humidade (não o mergulhe de forma alguma em quaisquer líquidos) e de arestas aguçadas. Não utilize o aparelho com as mãos molhadas. No caso de o aparelho ficar húmido ou molhado, retire imediatamente a ficha da tomada.
- Ao limpá-lo ou guardá-lo, desligue o aparelho e retire sempre retire a ficha da tomada (puxe a própria ficha, não o cabo). Se o aparelho não estiver sendo usado, remova todos os acessórios ligados.
- O aparelho não deverá funcionar sem vigilância. Se se ausentar do local, desligue sempre o aparelho. Retire a ficha da tomada de rede.
- Verifique regularmente se o aparelho ou o cabo apresentam algum dano. Nunca ponha a funcionar um aparelho que apresenta danos de qualquer espécie.
- Não tente reparar o aparelho, dirija-se a um técnico qualificado. Para evitar quaisquer perigos, é favor substituir um fio danificado por um fio da mesma qualidade. Tal deverá ser efetuado pelo fabricante, ou por outra pessoa com as mesmas qualificações.
- Utilize apenas acessórios de origem.

### Instruções de segurança importantes!

Leia este manual com toda a atenção e guarda-o para futuras consultas.

- Não aquecer traveseiros recheados com grãos, cerejas com caroço ou gelatina no forno micro-ondas. **PERIGO DE INCENDIO!**
- **Advertência:** se a porta ou as juntas da mesma apresentarem danos, o aparelho não poderá ser posto a funcionar antes de ter sido reparado por um técnico qualificado.
- **Advertência:** não proceda, de modo nenhum, a reparação do aparelho por si próprio. Contacte um técnico qualificado. Para qualquer outra pessoa, será altamente perigoso executar trabalhos de reparação ou de manutenção que exijam a remoção de qualquer cobertura que assegure a proteção contra radiações provenientes da energia de micro-ondas.
- **Advertência:** Não aqueça líquidos em recipientes fechados. Perigo de explosão!
- **Aviso:** Não coloque o micro-ondas num armário. Preste atenção a que sejam mantidos de todos os lados do aparelho pelo menos 20 cm de distância para ventilação até aos armários, paredes ou outros.

- **Aviso:** As peças acessíveis podem aquecer durante o uso. As crianças pequenas devem ser mantidas afastadas. Deve-se tomar cuidado para evitar tocar nos elementos de aquecimento dentro do forno.



- **CUIDADO: A superfície pode ficar quente durante o uso**
- **Nota:** O micro-ondas não se destina a aquecer animais vivos.
- Utilize somente louças adequadas como: Vidro, porcelana, cerâmica, plásticos resistentes ao calor e louças especiais para o micro-ondas.
- Quando se aquecerem ou cozinharem comidas em materiais inflamáveis, tais como recipientes de plástico ou de papel, o micro-ondas terá de ser vigiado frequentemente, pois tais materiais poderão incendiar-se.
- Em caso de formação de fumo deve-se desligar o aparelho e retirar a ficha de corrente. Conserve a porta fechada para extinguir a chama que possa surgir.
- **Atenção retardamento da ebulição:** Ao cozinhar, especialmente ao aquecer mais uma vez os líquidos (água) pode acontecer que a temperatura de ebulição seja atingida, mas que as bolhas típicas de vapor ainda não tenham subido. Os líquidos não fervem regularmente. Este chamado retardamento de ebulição pode ser originado por uma leve vibração ao se retirar o recipiente, o que leva a uma repentina formação de bolhas de vapor e com isso poderá transbordar o líquido. **Perigo de queimadura!** Para se conseguir uma fervura regular coloque no recipiente uma vareta de vidro ou semelhante, mas que não seja metálico.
- O conteúdo das garrafinhas para bebês e os frascos com comida de bebês terão de ser remexido ou agitado e a temperatura terá de ser verificada antes de utilizar. **Há perigo de queimadura!**
- Alimentos com casca ou pele, como ovos, salsichas, assim como conservas em boiões fechados, etc., não podem ser aquecidos no micro-ondas pois poderão explodir mesmo depois de ter terminado o aquecimento.
- O caixilho/a junta da porta e as suas proximidades deverão ser limpas cuidadosamente com um pano húmido, no caso de estarem sujas.
- Limpe regularmente o micro-ondas e remova restos de alimentos do seu interior.
- No caso de se limpar mal o aparelho poderá isto originar o estrago da superfície deste e assim influenciar a durabilidade do aparelho bem como possivelmente também poderá levar a situações perigosas.

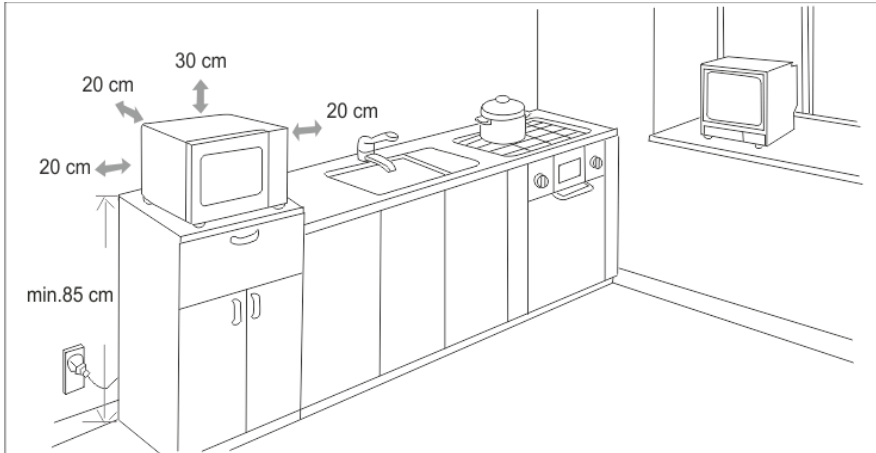


## Descrição dos elementos de serviço

- |                                |                               |
|--------------------------------|-------------------------------|
| 1. Fecho de segurança da porta | 2. Janela de observação       |
| 3. Prato giratório de vidro    | 4. Cobertura do guia de ondas |
| 5. Anel giratório              | 6. Eixo giratório             |
| 7. Painel de controlo          |                               |

## Instalação e ligação

- Remova todo o material de embalagem e acessórios. Examine o forno e verifique se há algum dano como moossa ou porta partida. Não instale o forno se estiver danificado.
- Retire qualquer filme protetor que se encontre na superfície do forno micro-ondas.
- Não remova a capa do guia de ondas que está ligada à cavidade do forno para proteger o magnetrão.
- Selecione uma superfície plana que ofereça espaço suficiente para a entrada e saída dos canais.
- Selecione uma superfície nivelada que proporcione espaço aberto suficiente para as aberturas de ventilação de entrada e/ou saída.



- A altura da instalação mínima é de 85 cm.
- A superfície traseira do equipamento não deverá ser colocada contra uma parede. Deixe um espaço vazio de, pelo menos, 30 cm acima do forno, a distância mínima entre o forno e as paredes adjacentes, caso existam, deve ser de 20 cm.
- Não retire as pernas por baixo do forno.
- Bloquear as aberturas de entrada e/ou saída pode danificar o forno.

- Coloque o aparelho tão afastado quanto possível de rádios e TV. O funcionamento do forno micro-ondas pode causar interferências na recepção do seu rádio ou TV.
- Ligue o forno a uma tomada elétrica doméstica normal. Certifique-se de que a voltagem e frequência são as mesmas que a voltagem e frequência da placa de classificação.



**A superfície acessível poderá estar quente durante o funcionamento.**

**AVISO:** Não instale o forno sobre uma placa de cozinha ou outros aparelhos geradores de calor. Se instalar o forno sobre uma fonte de calor, pode danificá-lo perder a garantia.

### Utensílios adequados para micro-ondas

- O material ideal para usar no forno micro-ondas deve ser transparente e permitir a radiação de micro-ondas de aquecer os alimentos regularmente.
- As radiações de micro-ondas não podem infiltrar-se no metal, não se devendo por isso usar recipientes ou pratos de metal.
- Não utilize recipientes de papel reciclado, pois estes podem conter pequenas partículas de metal, que podem dar origem a fagulhas e a fogos.
- Recipientes e pratos redondos ou ovais são mais adequados do que os com cantos, pois os alimentos podem aquecer demais nos cantos e sair dos mesmos.
- A lista abaixo é um guia geral para ajudar a selecionar os utensílios corretos.

| UTENSÍLIO                          | MICROONDAS |
|------------------------------------|------------|
| Vidro resistente ao calor          | Sim        |
| Vidro não resistente ao calor      | Não        |
| Cerâmica resistente ao calor       | Sim        |
| Prato de plástico para Micro-ondas | Sim        |
| Papel de cozinha                   | Sim        |
| Bandeja ou grade de metal          | Não        |
| Recipientes e pratos de alumínio   | Não        |

### Utilização do aparelho

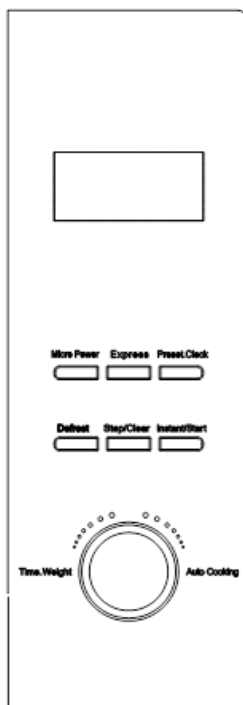
#### Curiosidades sobre o funcionamento de micro-ondas

- O seu aparelho trabalha com irradiação de micro-ondas, a qual aquece em muito pouco tempo partículas de água que se encontram nas comidas. Não existe qualquer irradiação de calor e por isso quase que nenhuma “tostadela”.
- Aqueça só alimentos neste aparelho.

- Este aparelho não é adequado para fritar com gorduras líquidas.
- Aqueça só 1 a 2 porções de cada vez. De outra forma o aparelho perderá eficiência.
- Para interromper qualquer cozedura, coloque o temporizador na posição "0".
- O micro-ondas fornece imediatamente toda a energia. Assim não é necessário um aquecimento antecipado.
- Nunca ponha o forno micro-ondas a funcionar, quando estiver vazio.
- O forno micro-ondas não poderá substituir o seu forno normal. Este serve principalmente para:
  - descongelar produtos congelados / gelados
  - aquecimento ou fervura rápida de comidas e bebidas
  - cozimento de comidas.
- Por favor não utilize louças de plástico ou de papel.

## Operação do Painel de controlo

### 1. COMANDOS NO PAINNEL DE CONTROLO



**Micro Power** - Seleção dos níveis de potência do micro-ondas.

**Express** - Seleção do tempo 0:30, 1:00, 1:30.

**Preset.Clock** - Em conjunto com o botão rotativo para definir a hora ou hora de início.

**Defrost** - Descongelamento automático, escolha de três programas com base em tipo e peso do alimento.

**Stop/Clear** - Pressione para cancelar a configuração ou reiniciar o forno antes de definir um programa de cozimento.

Pressione uma vez para interromper o cozimento temporariamente ou duas vezes para cancelar completamente o cozimento.

**Instant/start** - No estado de espera, o forno irá começar a cozinhar com a potência mais elevada por um minuto. Pode aumentar ou diminuir o tempo de cozimento, girando o botão **Auto Cooking / Time.Weight**.

**Time.Weight/ Auto Cooking** - Botão de rotação para selecionar a hora ou peso ou menu de cozedura automática.

### 2. AJUSTE DO RELÓGIO

Quando o forno de micro-ondas é ligado à energia, o LED pisca 3 vezes e depois exibe o dois pontos intermitente “:”, solicitando que insira o tempo. Siga os passos abaixo para definir a hora atual.

| Exemplo: para definir 12:30 |   |              |
|-----------------------------|---|--------------|
|                             | Passos  | Visor        |
| 1                           | Após ligar à energia, os dois pontos piscam.  | :            |
| 2                           | Pressione uma vez a tecla <b>Preset.Clock</b>   | <b>00:00</b> |
| 3                           | Rode o botão <b>Auto Cooking/ Time.Weight</b> para definir a hora.                          | <b>12:00</b> |
| 4                           | Pressione de novo a tecla <b>Preset. Clock</b> .  | <b>12:00</b> |
| 5                           | Rode o botão <b>Auto Cooking/ Time.Weight</b> para definir os minutos.                      | <b>12:30</b> |
| 6                           | Pressione mais uma vez a tecla <b>Preset. Clock</b> ou aguarde 5 minutos, a hora fica fixa. |              |

**Nota:** Se pressionar o botão "**Stop/Clear**" ao definir a hora, cancele o programa / configuração.

**Nota:** Defina sempre a hora quando ligar o cabo de alimentação ou após a interrupção de energia.

### 3. COZINHAR NO MICRO-ONDAS

Esta função é usada para cozinhar e aquecer alimentos.

- 1) Coloque a comida a aquecer numa louca adequada.
- 2) Abra a porta e coloque o recipiente no centro do prato de vidro. Fechar a porta. (Por motivos de segurança o aparelho só funciona com a porta fechada).
- 3) Pressione o botão de controle "**Micro Power**" até que a função desejada seja exibida no visor. A tabela abaixo indica 5 opções de energia de micro-ondas com sinais e funções correspondentes.
- 4) Gire o botão "**Auto Cooking/ Time.Weight**" para definir o tempo de cozimento / aquecimento. O visor LCD exibirá o tempo que escolheu.
- 5) Pressione o botão "**Instant/Start**" para iniciar o processo de cozimento / aquecimento. O visor LCD exibe a contagem regressiva do tempo selecionado.
- 6) Depois de decorrido esse tempo, o dispositivo desliga-se e o visor LCD mostrará **End** e serão emitidos 3 sons de bip. Pode agora remover a comida.

| Visor % | Potência    | Potencia Micro-ondas em Watt | Aplicação                                   |
|---------|-------------|------------------------------|---|
| 100P    | Máxima      | 800                          | Aplicável para cozimento rápido e completo. |
| 80P     | Média Alta  | 640                          | Aplicável para cozimento médio expresso.    |
| 60P     | Média       | 480                          | Aplicável para cozinhar alimentos.          |
| 40P     | Média Baixa | 320                          | Aplicável para descongelar alimentos.       |
| 20P     | Baixa       | 160                          | Aplicável para manter a comida quente.      |

**Exemplo: Para cozinhar a 80P por 10 minutos.**

|   | Passos   | Visor |
|---|--|-------|
| 1 | Após ligar à energia, os dois pontos piscam.   | :     |
| 2 | Selecione a potência de micro-ondas desejada pressionando o botão <b>Micro Power</b> consecutivamente.                 | 80P   |
| 3 | Defina o tempo de cozedura, rodando o botão <b>Auto Cooking/ Time.Weight</b> .   | 10:00 |
| 4 | Pressione o botão <b>Instant/Start</b> para iniciar, o visor LED mostrará a contagem decrescente do tempo de execução. |       |

## ATENÇÃO

- O tempo máximo que pode ser definido é de 60 minutos.
- Nunca opere o forno micro-ondas vazio.
- Se precisar de virar a comida durante a operação, pressione o botão **Stop/Clear** uma vez e o processo será interrompido. Depois de virar a comida, pressione o botão **Instant/Start** para continuar o procedimento de cozimento.
- Para interromper o processo antes do final do tempo de ajuste, pressione o botão "**Stop/Clear**" duas vezes para cancelar o procedimento predefinido e evitar a operação não intencional da próxima utilização.
- Na potência máxima de micro-ondas, o forno reduzirá automaticamente a potência após um determinado período de cozedura para prolongar a vida útil.

### 4. AQUECIMENTO EXPRESSO

Esta função permite que aqueça brevemente um alimento ou bebida. Escolha o tempo apropriado (0:30, 1:00, 1:30) dependendo da capacidade do alimento ou da bebida.

- 1) Pressione o botão "**Express**" para selecionar o tempo desejado (0:30, 1:00 ou 1:30 minutos).
- 2) Pressione o botão "**Instant/Start**" para iniciar o processo de aquecimento expresso. O visor LCD exibe a contagem regressiva do tempo de aquecimento selecionado.
- 3) Para parar o processo antes do final do tempo, pressione o botão "**Stop/Clear**" duas vezes.
- 4) Uma vez concluído o processo, o visor exibe a hora e um bipe soará três vezes, indicando que o tempo está completo.

### 5. DESCONGELAÇÃO

Esta função permite descongelar alimentos com base no tipo e no peso digitado pelo usuário. O tempo de descongelação e o nível de potência são automaticamente definidos quando a categoria de alimentos e o peso são programados. O peso dos alimentos congelados varia de 100g a 3000g.

O tempo selecionado não pode ser aumentado durante a função de descongelamento.

- 1) Pressione o botão "**Defrost**" para selecionar o tipo de alimento (d.1, d.2, d.3). A tabela mostra as três opções para descongelar alimentos:

|     |   |
|-----|---|
| d.1 | Para descongelar a carne, o peso varia de 0,1 a 2,0 kg.         |
| d.2 | Para descongelar aves de capoeira, o peso varia de 0,2 a 3,0kg. |
| d.3 | Para descongelar frutos do mar, o peso varia de 0,1 a 0,9kg.    |

- 2) Gire o seletor "**Auto Cooking/Time.Weight**" para ajustar o peso. O visor LCD irá exibir o peso que escolheu.
- 3) Pressione o botão "**Instant/Start**" para iniciar o processo. O visor LCD exibe o tempo de descongelamento necessário de acordo com o peso da comida selecionada e a contagem regressiva do tempo de descongelamento selecionado.
- 4) A meio do processo, um som de 2 bipes será ouvido 3 vezes para solicitar que vire o alimento. Pressione o botão "**Stop/Clear**" uma vez para interromper o processo. Depois de girar o alimento, pressione o botão **Instant/Start** para continuar com o processo de descongelamento.

- 5) Para parar o processo antes do final do tempo de configuração, pressione o botão "**Stop/Clear**" duas vezes.
- 6) Logo que o processo esteja concluído, o visor exibe a hora e um bipe soa três vezes, indicando que o tempo terminou.

## **ATENÇÃO**

- a. É necessário virar o alimento durante a operação para obter um efeito uniforme.
- b. Normalmente, a descongelação precisa de mais tempo do que o de cozinhar os alimentos.
- c. Se o alimento puder ser cortado à faca, o processo de descongelação pode ser considerado concluído.
- d. O micro-ondas penetra cerca de 4 cm na maioria dos alimentos.
- e. Alimentos descongelados devem ser consumidos o mais rápido possível, não é aconselhável voltar a colocar no frigorífico e congelar novamente.

## **6. MENU AUTOMÁTICO**

O forno de micro-ondas possui um menu de cozimento padrão. Selecione o menu apropriado, dependendo do tipo de alimento e peso e de acordo com a tabela a seguir, caso contrário, o efeito de cozimento será muito afetado.

O tempo padrão não pode ser aumentado durante a função de cozimento.

- 1) No estado de espera, gire o botão **Auto Cooking/Time.Weight** para escolher o menu (A.1, A.2, ..., A.8). A tabela a seguir mostra as 8 opções para cozinhar alimentos:
- 2) Pressione o botão "**Instant/Start**" para iniciar o processo de cozimento. O LCD exibe a contagem regressiva do tempo de cozimento selecionado.
- 3) Para parar o processo antes do final do tempo de configuração, pressione o botão "**Stop/Clear**" duas vezes.
- 4) Logo que o processo esteja concluído, o visor exibe a hora e um bipe soa três vezes, indicando que o tempo terminou.

## **ATENÇÃO**

- a. A temperatura do alimento antes de cozinhar deve estar entre 20-25°C. A temperatura mais alta ou mais baixa do alimento exigiria aumento ou diminuição do tempo de cozimento.

- b. A temperatura, o peso e a forma dos alimentos irão influenciar em grande parte o efeito de cozimento. Se algum desvio foi encontrado ao fator observado no menu acima, pode ajustar o tempo de cozimento para obter o melhor resultado.

| Visor | Tipo    | Método   |
|-------|---------|--|
| A.1   | Pipocas | Adequado para fazer pipocas em pacote pré-embalado com peso de 85g disponível no mercado. Quando o som dos estalidos diminuir para um a cada 1-2 segundos, pressione o botão <b>Stop/Cancel</b> para terminar o processo.  |
| A.2   | Pipocas | O mesmo que A.1 para pacotes de 100g.  |
| A.3   | Pizza   | Aquecer pedaços de pizza fria de 150 g.  |
| A.4   | Bebida  | Aquecimento de um copo de 250 ml de líquido. A temperatura do líquido estar entre 5-10°C. Use um copo com boca larga e não tape.   |
| A.5   | Bebida  | Aquecimento de um copo de 500 ml de líquido. A temperatura do líquido estar entre 5-10°C. Use um copo com boca larga e não tape.   |
| A.6   | Batata  | Cozinhar tiras de batata, cortadas em palitos de 5 mm espessura. O peso total é de cerca de 450g. Coloque as tiras em um prato grande e cubra com uma película fina para evitar a perda de água.   |
| A.7   | Batata  | O mesmo que A.6 exceto o peso é cerca de 650g.   |
| A.8   | Peixe   | Adequado para cozinhar um peixe de 450g. Após o peixe ser lavado e escamado, faça pequenos cortes na pele do peixe. Coloque o peixe em um prato raso de 22 a 27 cm de diâmetro e polvilhe levemente com algum ingrediente e cubra o prato com uma película fina para evitar a perda de água. Depois de cozinhar, espere 2 minutos. |

### 7. INICIO AUTOMÁTICO À HORA PREDEFINIDA

Caso não pretenda que o menu seja iniciado imediatamente, pode predefinir o menu e a hora de cozedura, o menu predefinido será iniciado automaticamente à sua hora definida. A configuração consiste em 2 etapas:

- A. Ajustar o relógio atual (consulte a seção “Configuração do relógio”)
- B. Definir o menu e a hora do início da cozedura.



**Exemplo: agora são 12:30, se pretender que o forno micro-ondas comece a cozinhar automaticamente com 100P por 9 minutos e 30 segundos às 14:20.**

|     | <b>Passos</b>  | <b>Visor</b> |
|-----|--|--------------|
| 1   | Após ligar à energia, os dois pontos piscam.   | :            |
| 1.1 | Pressione o botão <b>Preset.Clock</b> .  | <b>00:00</b> |
| 1.2 | Defina a hora girando o botão <b>Auto Cooking/Time.Weight</b> .  | <b>12:00</b> |
| 1.3 | Pressione o botão <b>Preset.Clock</b> de novo para confirmar a hora.   | <b>12:00</b> |
| 1.4 | Defina os minutos girando o botão <b>Auto Cooking/ Time.Weight</b> .   | <b>12:30</b> |
| 1.5 | Pressione o botão <b>Preset.Clock</b> uma vez ou aguarde 5 segundos, a hora permanecerá fixa.  | <b>12:30</b> |
| 2   | Defina o menu e a hora da cozedura   |              |
| 2.1 | Selecione a potência de cozimento pressionando o botão <b>Micro Power</b> .  | <b>100P</b>  |
| 2.2 | Gire o botão <b>Auto Cooking / Time.Weight</b> para definir o tempo de cozimento.  | <b>9:30</b>  |
| 2.3 | Pressione e mantenha pressionado o botão <b>Preset.Clock</b> por 3 segundos para retornar à hora atual.  |              |
| 3   | Defina a hora que pretende começar. Repita os passos de 1.2, 1.3, 1.4.   |              |
| 4   | Pressione o botão <b>Preset.Clock</b> para confirmar o menu da hora predefinida. Agora o programa foi ativado e o menu será iniciado às 14:20. |              |
| 5   | pode verificar a hora de início predefinida pressionando o botão <b>Preset.Clock</b> .   |              |

## **ATENÇÃO**

- Ao programar a função de início automático à hora predefinida, pode seleccionar no máximo 2 funções de cozimento.
- Não selecione a função Descongelação ao programar esta função.
- Não pressione a tecla "**Instant/Start**" quando concluir todas as etapas necessárias para programar o horário de início do cozimento.

### 8. COZIMENTO MULTI-SEQUÊNCIA

Para obter o melhor resultado de cozimento, algumas receitas precisam de modo e tempos diferentes durante o processo de cozimento. Pode programar seu menu personalizado da seguinte maneira:

| <b>Exemplo: deseja cozinhar alimentos com micro-ondas de 100P por 3 minutos e 20P por 9 minutos. Esta é a configuração de 2 sequências.</b> |  |              |
|---|--|--------------|
|   | <b>Passos</b>  | <b>Visor</b> |
| 1   | Micro-ondas 100P por 3 min.  |              |
| 1.1   | Pressione o botão <b>Micro Power</b> para selecionar o nível de potência.          | <b>100P</b>  |
| 1.2   | Gire o botão <b>Auto Cooking/Time.Weight</b> para definir o tempo de cozimento.    | <b>3:00</b>  |
| 2   | 20P por 9 min.   |              |
| 2.1   | Pressione o botão <b>Micro Power</b> para selecionar o nível de potência desejada. | <b>20P</b>   |
| 2.2   | Gire o botão <b>Auto Cooking/Time.Weight</b> para definir o tempo de cozimento.    | <b>9:00</b>  |
| 3   | Start cooking by pressing <b>Instant/Start</b> .                                   |              |

### **ATENÇÃO**

- a. Quando a primeira seleção de cozimento estiver concluída, a segunda seleção começará automaticamente.
- b. Pode configurar até quatro funções diferentes, repetindo as etapas.

### 9. FUNÇÃO BLOQUEIO DE CRIANÇA

Use para evitar a operação não supervisionada do forno de micro-ondas por crianças pequenas ou quando estiver limpando. Todos os botões estão inoperáveis neste modo.

- 1) Bloqueio --- No modo de espera pressione **Stop/Clear** durante 3 segundos.
- 2) Desbloqueio - No modo de bloqueado pressione **Stop/Clear** durante 3 segundos.

### 10. LEMBRETE AUTOMÁTICO

Quando o procedimento de cozimento predefinido terminar, o LED exibirá **End** e serão emitidos três sinais sonoros para solicitar que retire a comida. Se não pressionar o botão **Stop/Cancel** uma única vez ou abrir a porta, o bipe será emitido em intervalos de 3 minutos.

## **Dicas de Culinária**

Os seguintes fatores podem afetar o resultado da cozedura:

### **Arranjo de alimentos**

Coloque alimentos mais grossos para fora do prato, a parte mais fina para o centro e espalhe uniformemente. Não se sobreponha, se possível.

### **Duração do tempo de cozimento**

Comece a cozinhar com um tempo curto, avalie e estenda de acordo com a necessidade real. O cozimento prolongado pode resultar em fumaça e queimaduras.

### **Cozinhar alimentos uniformemente**

Alimentos como frango, hambúrguer ou bife devem ser virados uma vez durante o cozimento. Dependendo do tipo de alimento, se aplicável, mexa-o de fora para o centro do prato, uma ou duas vezes, durante a cozedura.

### **Permitir tempo de espera**

Depois de cozinhar, deixe a comida no forno por um período de tempo adequado. Isso permite completar o ciclo de cozimento e resfriá-lo de maneira gradual.

### **Quando a comida está pronta**

A cor e a dureza dos alimentos ajudam a determinar se isso é feito, incluindo:

- Vapor saindo de todas as partes da comida, não apenas da borda.
- Articulações de aves podem ser movidas facilmente.
- Carne de porco ou frango não mostra sinais de sangue.
- O peixe é opaco e pode ser cortado facilmente com um garfo.

### **Filme fino de micro-ondas**

Ao cozinhar alimentos com alto teor de gordura, não permita que o plástico entre em contato com os alimentos, pois ele pode derreter.

### **Panelas de plástico seguras para micro-ondas**

Algumas panelas de plástico seguras para micro-ondas podem não ser adequadas para cozinhar alimentos com alto teor de gordura e açúcar. Além disso, o tempo de pré-aquecimento especificado no manual de instruções do prato não deve ser excedido.

### Limpeza e manutenção

Desligue o forno micro-ondas e tire a ficha da tomada.

**AVISO:** Nunca mergulhe o aparelho ou o seu cabo de alimentação em água ou em qualquer outro líquido

**AVISO:** Nunca utilize gasolina, solventes, agentes de limpeza abrasivos, objetos metálicos ou escovas duras para limpar o aparelho.

#### Espaço interior do forno

- Mantenha o interior do forno limpo. Salpicos e líquidos derramados sobre as paredes interiores do forno podem ser retirados com um pano húmido. Se o forno está muito sujo, também pode ser utilizado um produto de limpeza suave. Não utilize produtos de limpeza agressivos.
- Limpe a janela para visualização por dentro e por fora com um pano húmido e retire com regularidade salpicos e manchas de líquidos que transbordaram ou foram derramados.

#### Lados exteriores

- As paredes exteriores da caixa do micro-ondas devem ser limpas com um pano húmido. Preste atenção a que nenhuma água entre para o interior do forno micro-ondas através das aberturas da caixa.
- Para a limpeza dos botões utilize por favor também um pano húmido. Para a limpeza do interruptor das funções abra primeiro a porta do forno micro-ondas para evitar uma ligação não intencionada do aparelho.

#### Acessórios

- Ocasionalmente deverá lavar o prato de vidro com um produto de lavagem de loiça ou na máquina de lavar loiça.
- O anel rotativo e o fundo interior do forno devem ser limpos com regularidade. O anel rotativo pode ser retirado e lavado à mão. Para tal pode utilizar um produto de limpeza suave ou produto limpa-vidros. Enxugue bem de seguida. Preste atenção a que o anel fique de novo bem colocado.

#### Cheiro

- Para eliminar cheiros desagradáveis do micro-ondas, coloque uma tigela adequada para forno micro-ondas com água e sumo de limão no forno e aqueça-a durante aprox. 5 minutos. Limpe depois o forno com um pano macio.

#### Iluminação de forno

- Para mudar a iluminação ao forno, dirija-se por favor a uma oficina da especialidade nas suas imediações.

## Armazenamento

- Se não tenciona utilizar o aparelho durante um longo período de tempo, guarde-o cuidadosamente.
- Certifique-se de que o aparelho está desligado da tomada, frio e totalmente seco.
- Guarde o aparelho num local fresco e seco.
- Mantenha o aparelho fora do alcance de crianças.

## Resolução de problemas

| Problema   | Possível causa  | Solução   |
|--|---|---|
| <b>Não é possível pôr o forno a funcionar.</b>   | 1) O cabo de energia não está ligado corretamente.            | Desligue. Depois volte a ligar ao fim de 10 segundos.   |
|  | 2) O fusível está fundido ou está ativado um corta-circuitos. | Substitua o fusível ou reinicie o corta-circuitos (reparado por pessoal profissional da nossa empresa). |
|  | 3) Problemas com a tomada.                                    | Teste a tomada com outro aparelho elétrico.   |
| <b>O forno não aquece.</b>   | A porta não está fechada corretamente.                        | Feche a porta corretamente.   |
| <b>O prato rotativo em vidro faz barulho quando o forno micro-ondas está a funcionar</b> | O prato rotativo e o fundo do forno estão sujos.              | Consulte a secção “Limpeza e Manutenção” para limpar as peças sujas.                                    |

## Características técnicas

|   |              |
|---|--------------|
| Modelo:                                       | MW-80B.008A  |
| Alimentação da corrente:                      | 230V~, 50Hz  |
| Consumo de energia do Micro-ondas:            | 1280 W       |
| Potência de saída dimensional do micro-ondas: | 800W/2450MHz |
| Capacidade do forno:                          | 23 Litros    |
| Categoria de proteção:                        | I            |
| Peso líquido:                                 | 11,7kg       |

### Informação sobre o forno de micro-ondas (Grupo II, Classe B de acordo com EN 55011)

As ondas eletromagnéticas são geradas no aparelho, o que provoca fortes oscilações nas moléculas contidas nos alimentos (principalmente moléculas de água). Estas oscilações geram calor. Por isso, os alimentos com um elevado conteúdo líquido aquecem mais rapidamente do que os alimentos mais secos. O recipiente é aquecido apenas indiretamente pelo alimento. Este produto é um aparelho ISM do Grupo 2, Classe B. O Grupo 2 inclui todos os aparelhos ISM (industrial, científico médico) na qual a energia de rádio frequência surge e / ou é usado sob a forma de radiação eletromagnética para processar material, bem como desencadear dispositivos de erosão. A Classe B é composta por aparelhos para uso doméstico ou aparelhos ligados à rede de energia elétrica que alimentam edifícios residenciais.

## Declaração de Conformidade

Este aparelho foi controlado nos termos das atuais diretivas da CEE aplicáveis, tais como inocuidade eletromagnética e diretiva sobre baixa tensão, e fabricado de acordo com as mais novas prescrições da segurança técnica.

Este aparelho foi concebido, fabricado e distribuído em conformidade com as seguintes diretivas:



- objetivo de segurança da Diretiva de Baixa Tensão 2014/35/EU;
- requisitos para proteção da Diretiva EMC 2014/30/EU;
- uso de algumas substâncias perigosas em equipamentos elétricos e eletrónicos em conformidade com a Diretiva RoHS (EU) 2015/863.

A segurança elétrica do artigo está assegurada apenas quando estiver corretamente ligado a uma eficiente instalação à terra segundo as normas legais.

## Eliminação – Política ambiental

O produto foi fabricado com material reutilizável.

**Este aparelho está classificado de acordo com a Diretiva Europeia 2012/19/EU sobre Resíduos de equipamento elétrico e eletrónico (CEE).**

Ao garantir a eliminação adequada deste produto, estará a ajudar a evitar potenciais consequências negativas para o ambiente e para a saúde pública, que poderiam derivar de um manuseamento de desperdícios inadequado deste produto.



Este símbolo no produto, ou nos documentos que acompanham o produto, indica que este aparelho não pode ser tratado como lixo doméstico. Pelo contrário, deve ser entregue no ponto de recolha para a reciclagem de equipamento elétrico e eletrónico.

■ A eliminação deve ser efetuada de acordo com as normas ambientais locais para a deposição de resíduos. Entregue o aparelho imediatamente para um despejo autorizado, não o deixe sem vigilância mesmo por alguns dias uma vez que é potencialmente perigoso para as crianças.

Para obter informações mais detalhadas sobre o tratamento, a recuperação e reciclagem deste produto, entre em contacto com o departamento local, o serviço de recolha de lixo ou a loja onde adquiriu o produto.

### Declaração de Garantia

Para direitos de garantia respeitantes à eliminação dos defeitos (direito legal), estes deverão ser dirigidos aos nossos parceiros comerciais (revendedores autorizados). Além disso o distribuidor assume a seguinte garantia do fabricante:

1. Para este equipamento, o fabricante assume uma garantia de 24 meses (\*) de acordo com as condições abaixo descritas e a partir da data de compra que será comprovada através da fatura original, recibo de compra ou de um outro documento similar.
2. Os direitos de garantia deverão ser adquiridos junto ao revendedor onde o aparelho foi adquirido.
3. A garantia cobre a retificação de qualquer dano ou defeito do equipamento durante o período do mesmo e que demonstre ser devido a defeitos de material ou de fabricação.
4. A garantia não cobre danos e defeitos resultantes de instalações e manipulações incorretas, de não respeito pelas instruções de programação e de utilização, ou de força maior. A garantia voluntária não cobre a instalação e programação por parte do revendedor. Em particular, não poderão ser aceites reclamação para instalação e programação gratuita por parte do revendedor. A garantia voluntária não cobre deficiências que prejudicam de forma insignificante o funcionamento do aparelho. Outros custos, tais como a instalação, transporte e deslocação do técnico estão expressamente excluídos da garantia.
5. O distribuidor reserva o direito, se assim o entender, de substituir por outro equivalente em vez de o reparar. Reclamações futuras não serão aceites. Após a troca ou reparação, todos os dados armazenados serão perdidos.
6. A garantia não será validada se forem efetuadas alterações ao equipamento, ou quando o equipamento for utilizado em países para o qual não foi desenvolvido nem fabricado.
7. A aplicabilidade da garantia pressupõe que o aparelho seja enviado completo, protegido contra, roturas e choques (se possível na sua embalagem original) e acompanhado da respetiva garantia.
8. Se após a verificação se concluir que não existem motivos para a reclamação, ou que não apresenta defeitos, os custos respeitantes serão imputados ao cliente. O revendedor está autorizado a cobrar estes custos ao cliente.
9. Todos os serviços resultantes da garantia voluntária, não renovam o período da mesma nem iniciam um novo período de validade.
10. Os direitos de garantia legal do consumidor final não estão excluídos nem restritos por esta declaração independente do fabricante.

O cliente goza de todas as garantias previstas na Diretiva 1999/44/CE do Parlamento Europeu e do Conselho, de 25 de maio.

(\*) Apenas para países da União Europeia



## Estimado cliente

Gracias por elegir un producto HÆGER.

Los productos HÆGER están diseñados para el bienestar de los consumidores, haciendo hincapié en los más altos estándares de calidad, funcionalidad y diseño. Estamos seguros de su satisfacción con la compra de este producto.

Suponemos que el usuario tiene conocimientos generales sobre el manejo de los aparatos eléctricos.

Antes de la puesta en servicio de este aparato lea detenidamente el manual de instrucciones y guarde este bien incluido la garantía, el recibo de pago y si es posible también el cartón de embalaje con el embalaje interior. En caso de dejar el aparato a terceros, también entregue el manual de instrucciones.

## Indicaciones Especiales de Seguridad

Cuando utilice este o cualquier otro aparato eléctrico, siga siempre estas precauciones básicas de seguridad:



### LEA TODAS LAS INSTRUCCIONES ANTES DE USAR

- **Este aparato puede ser usado por niños de 8 o más años de edad y personas con capacidades físicas, sensoriales o mentales reducidas, o falta de experiencia y conocimientos, si reciben supervisión o instrucciones sobre el uso del aparato de forma segura y comprenden los riesgos implicados.**
- **Los niños no deben jugar con el aparato.**
- **La limpieza y el mantenimiento del usuario no deben ser realizados por niños menores de 8 años, y en este caso con supervisión.**
- **Mantenga el aparato y el cable fuera del alcance de niños menores de 8 años.**

- Solamente utilice el aparato para el uso privado y para el fin previsto. Este aparato no está destinado para el uso profesional. No lo utilice al aire libre. No lo exponga al calor, a la entrada directa de rayos de sol, a la humedad (en ningún caso sumerja el aparato en agua) y a los cantos agudos. No utilice el aparato con las manos húmedas. En caso de que el aparato este húmedo o mojado retire de momento la clavija de la caja de enchufe.
- Desconecte el aparato y siempre retire la clavija de la caja de enchufe (por favor tire de la clavija y no del cable), cuando no quiera utilizar el aparato, montar piezas o en caso de limpieza o defectos.
- No utilice el aparato sin vigilancia. En caso de salir de la habitación, desconecte siempre el aparato. Retire la clavija de la caja de enchufe.
- Controle regularmente si el aparato o el cable tiene defectos. No ponga en servicio un aparato defecto.
- No repare el aparato por su cuenta, sino vaya a un establecimiento autorizado. Para evitar peligros, deje sustituir un cable defecto por uno de la misma calidad solamente por el fabricante, nuestro servicio al cliente o una similar persona cualificada.
- Solamente utilice accesorios originales.

### Importantes indicaciones de seguridad

Se ruega leer estas indicaciones cuidadosamente y guardarlas bien para su posterior utilización.

- No calentar en el microondas cojines rellenos de granos, huesos de cereza o gel.  
**¡PELIGRO DE INCENDIO!**
- **Aviso:** En caso de que la puerta o la obturación de goma de la puerta estén dañadas, no poner en marcha el aparato, hasta que una persona especializada no lo haya reparado.
- **Aviso:** En ningún caso repare el aparato por su cuenta, sino contacte a un servicio autorizado. Excepto para la persona especializada, para los demás significa un peligro realizar trabajos de mantenimiento o de reparación, que exijan descubrir la cubierta que normalmente asegura la protección contra la exposición a la radiación de la energía por microondas.
- **Aviso:** Se ruega no calentar líquidos en recipientes cerrados. **¡Existe peligro de explosión!**

- **Advertencia:** No coloque el microondas en ningún armario. Observe que mantenga una distancia mínima de por lo menos 20 cm de todos lados del equipo entre armarios, paredes, etc. para contar con una ventilación apropiada.
- **Aviso:** las piezas accesibles pueden calentarse durante el uso. Los niños pequeños deben mantenerse alejados. Se debe tener cuidado para evitar tocar elementos calefactores dentro del horno.



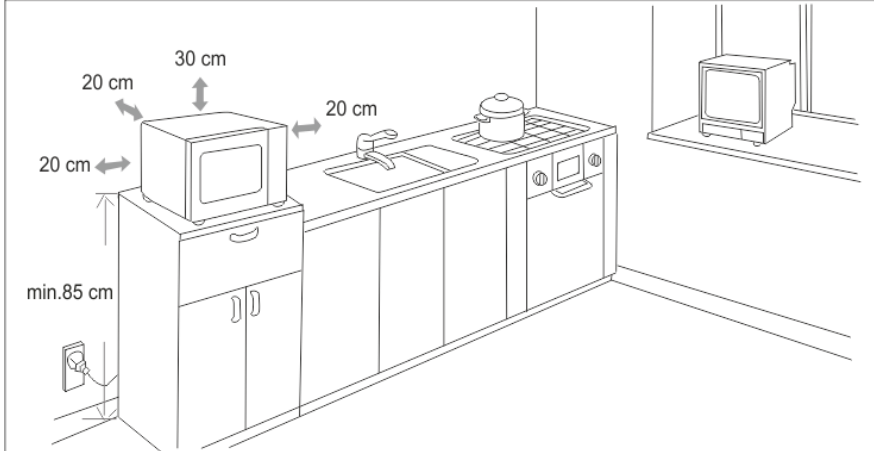
- **ADVERTENCIA: ¡La superficie puede calentarse durante el uso!**
- Solamente utilice vajilla apropiada como: Vidrio, porcelana, cerámica, vajilla de plástico resistente al calor o vajilla especial para microondas.
- Al calentar o al cocinar alimentos en materiales inflamables, como pueden ser recipientes de plástico o de papel, se tiene que observar con frecuencia el aparato de microondas para cocinar, causado por la posibilidad de una inflamación.
- En caso de emisión de humos se ruega desconectar el aparato y retirar la clavija de la caja de enchufe. Mantenga la puerta cerrada, para apagar posible llamas que aparezcan.
- **Atención demora en la ebullición:** En la ebullición, sobre todo al recalentar líquidos (agua) puede ocurrir, que la temperatura de ebullición se haya alcanzado; pero que las típicas burbujas de vapor todavía no suban. El líquido no hierve de forma uniforme. Esta llamada demora en la ebullición puede, al apartar el recipiente con una leve vibración, causar una repentina formación de burbujas de vapor y originar que rebase el agua. **¡Existe peligro de quemarse!** Para conseguir una ebullición uniforme, se ruega colocar una varilla de vidrio o algo similar, no metálico, en el recipiente.
- El contenido de biberones y tarros con alimentación infantil se debe remover o agitar y revisar la temperatura antes de su uso. **¡Existe peligro de quemarse!**
- Alimentos con cascara o piel, como huevos, salchichas, conservas de vidrio cerradas, etc., no se deben calentar en el microondas, ya que podrían explotar, aunque el calentamiento haya sido finalizado por microondas.
- El marco de la puerta y la obturación, así como piezas vecinas, en caso de que estén sucias, deben ser limpiadas cuidadosamente con un paño húmedo.
- Limpie el microondas con regularidad y retire restos de alimentos del interior.
- Si se ha limpiado mal el aparato puede destruirse su superficie, lo cual acortaría su duración y podría originar situaciones peligrosas.

## Indicación de los elementos de manejo

1. Cerradura de puerta
2. Ventana de observación
3. Bandeja de vidrio giratoria
4. Cubierta de guía de ondas
5. Anillo giratorio
6. Eje giratorio
7. Panel de control

## Instalación y conexión

- Quite todo el material de embalaje y accesorios. Examine el horno por eventuales daños como abolladuras o rotura de puerta. No instalar si el horno está dañado.
- Quite la película protectora que se encuentra en la superficie de la carcasa del horno.
- No quite la cubierta de guía de onda adosada a la cavidad del horno para proteger los magnetrones.
- Seleccione una superficie plana que proporcione suficiente espacio para los conductos de entrada y salida.
- Escoja una superficie nivelada que proporcione espacio suficiente para las tomas de aire y las salidas de ventilación.



- La altura mínima de la instalación es de 85 cm.
- Coloque la superficie posterior del aparato contra una pared. Deje un espacio libre de al menos 30 cm por encima del horno; la distancia mínima entre el horno y las paredes adyacentes debe ser de 20 cm.
- No retire las patas de debajo del horno.
- Bloquear los orificios de entrada y/o salida podría dañar el horno.

- Coloque el horno lo más lejos posible de radios y televisores. El horno microondas puede causar interferencias en su radio o televisor. 2. Enchufe el horno en un tomacorriente doméstico estándar. Asegúrese de que la tensión y la frecuencia sean las mismas que la tensión y la frecuencia que figuran en la placa de datos.



La superficie accesible puede estar caliente durante el funcionamiento.

**ADVERTENCIA:** No instale el horno sobre un anafe o sobre otro aparato productor de calor. Si instala el horno cerca o encima de una fuente de calor, podría sufrir daños y la garantía quedaría anulada.

## Vajilla apropiada para el microondas

- El material ideal para el uso en un microondas es transparente y permite a la radiación de microondas calentar los alimentos de forma homogénea.
- La radiación de microondas no puede penetrar por metal, por ello, no se debe utilizar recipientes o platos de metal.
- No utilice cuencos de papel de material reciclado, ya que pueden contener pequeñas cantidades de metal que podrían originar chispas o incendios.
- Cuencos o platos redondos/ovalados son más apropiados que cuadrados ya que en los cantos los alimentos podrían rebosar hirviendo.
- La siguiente lista le facilita la selección de vajilla apropiada para el microondas.

| MATERIAL                                    | MICROONDAS |
|---|------------|
| Recipiente de vidrio resistente al calor    | Si         |
| Recipiente de vidrio no resistente al calor | No         |
| Plato de cerámica resistente al calor       | Si         |
| Recipiente plástico para microondas         | Si         |
| Papel de cocina                             | Si         |
| Bandeja o red de metal                      | No         |
| Recipiente o lámina de aluminio             | No         |

## Uso del aparato

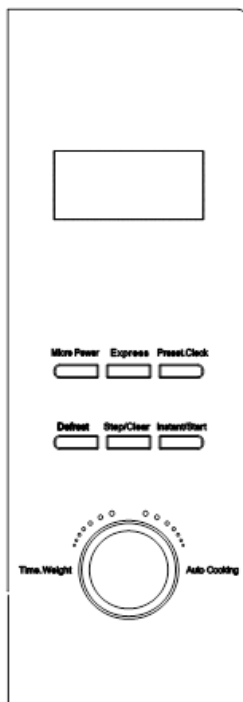
### Indicaciones de interés en el funcionamiento del microondas

- Su aparato trabaja con radiación de microondas que calienta en muy corto tiempo las partículas de agua en los alimentos. En este proceso no hay radiación calorífica y por ello casi nada de tostado en los alimentos.
- Caliente con este aparato solamente alimentos.

- Este aparato no está apropiado para la cocción de alimentos bañados en aceite.
- Solamente caliente de 1-2 raciones a la vez. Si no pierde el aparato en eficacia.
- Para interrumpir la cocción ponga el temporizador (Time) en "0".
- Microondas suministran directamente energía. Por ello no es necesario precalentar los alimentos.
- Nunca ponga el aparato en marcha en vacío y en servicio de microondas.
- El horno tradicional no se puede reemplazar por el microondas. El microondas sirve principalmente para:
  - descongelación de productos congelados
  - calentamiento rápido de alimentos o bebidas
  - cocción de comidas
- Se ruega no utilizar vajilla de plástico o de papel.

## Operación del panel de control

### 1. COMANDOS EN EL PANEL DE CONTROL



**Micro Power** - Selección de niveles de potencia del microondas.

**Express** - Selección de tiempo 0:30, 1:00, 1:30.

**Preset.Clock** - junto con el botón giratorio para configurar la hora o la hora de inicio.

**Defrost** - Descongelación automática, tres programas seleccionables según el tipo y peso de los alimentos.

**Stop/Clear:** Presione para cancelar la configuración o reiniciar el horno antes de configurar un programa de cocción. Presione una vez para detener temporalmente la cocción, o dos veces para cancelar la cocción por completo.

**Instant/start** - en el estado de espera, el horno iniciará la cocción rápida con alta potencia (100%) durante un minuto. Puede aumentar o disminuir el tiempo de cocción girando el botón **Time.Weight / Auto Cooking**.

**Time.Weight/Auto Cooking** - Perilla giratoria para seleccionar el tiempo o el peso o el menú de cocción automática.

## 2. CONFIGURACIÓN DEL RELOJ

Cuando el horno microondas está electrificado, el LED parpadea 3 veces y luego muestra dos puntos parpadeantes ":", lo que le solicita que ingrese la hora. Siga los pasos a continuación para configurar la hora actual.

| Ejemplo: para configurar 12:30 |  |              |
|--------------------------------|--|--------------|
|                                | Pasos  | Pantalla     |
| 1                              | Después de encender la alimentación, ambos puntos parpadean.                   | :            |
| 2                              | Presione la tecla <b>Preset.Clock</b> una vez                                  | <b>00:00</b> |
| 3                              | Gire el botón <b>Auto Cooking / Time.Weight</b> para configurar la hora.       | <b>12:00</b> |
| 4                              | Presione el botón <b>Preset. Clock nuevamente.</b>                             | <b>12:00</b> |
| 5                              | Gire el botón <b>Auto Cooking/ Time.Weight</b> para configurar los minutos.    | <b>12:30</b> |
| 6                              | Presione una vez más <b>Preset. Clock</b> o espere 5 minutos, la hora es fija. |              |

**Nota:** Si presiona el botón "Stop/Clear" mientras ajusta la hora, cancele el programa / configuración.

**Nota:** Siempre configure la hora cuando conecte el cable de alimentación o después de una interrupción de la alimentación.

## 3. COCCIÓN CON MICROONDAS

Esta función se utiliza para cocinar y calentar alimentos.

- 1) Coloque la comida que quiera calentar en la vajilla apropiada.
- 2) Abra la puerta y ponga la vajilla en el centro del plato de vidrio. Se ruega cerrar la puerta. (Por razones de seguridad, el aparato solo se activará al estar cerrada la puerta).
- 3) Presione el botón de control "**Micro Power**" hasta que la función deseada se muestre en la pantalla. La siguiente tabla indica 5 opciones de potencia de microondas con los signos y funciones correspondientes:
- 4) Gire el botón "**Auto Cooking/Time.Weight**" para configurar el tiempo de cocción / calentamiento. La pantalla LCD mostrará el tiempo que ha elegido.
- 5) Presione el botón "**Instant/Start**" para comenzar el proceso de cocción / calentamiento. La pantalla LCD muestra la cuenta regresiva del tiempo de cocción seleccionado.

- 6) Una vez transcurrido ese tiempo, el dispositivo se apaga y la pantalla LED mostrará **End** y se escucharán 3 pitidos. Ahora puede apartar la comida.

| Monitor % | Potencia   | Potencia de Microondas (Vatios) | Aplicación                                    |
|-----------|------------|---------------------------------|---|
| 100P      | Alta       | 800                             | Aplicable para una cocción rápida y completa. |
| 80P       | Medio Alta | 640                             | Aplicable para cocción rápida media.          |
| 60P       | Medio      | 480                             | Aplicable para cocinar alimentos al vapor.    |
| 40P       | Medio Baja | 320                             | Aplicable para descongelar alimentos.         |
| 20P       | Baja       | 160                             | Aplicable para mantener la comida caliente.   |

**Ejemplo: Para cocinar en 80P durante 10 minutos.**

|   | Pasos  | Pantalla |
|---|--|----------|
| 1 | Después del encendido, el colon parpadea.  | :        |
| 2 | Seleccione la potencia de microondas deseada presionando el botón <b>Micro Power</b> consecutivamente.                       | 80P      |
| 3 | Ajuste el tiempo de cocción girando <b>Auto Cooking/Time.Weight</b> .  | 10:00    |
| 4 | Presione el botón <b>Instant/Start</b> para comenzar y el LED hará una cuenta regresiva para mostrar el tiempo de ejecución. |          |

### **PRECAUCIÓN**

- El tiempo máximo que se puede configurar es de 60 minutos.
- Nunca opere el horno microondas vacío.
- Si gira la comida durante la operación, presione el botón **Stop/Clear** una vez y el proceso se detendrá. Después de girar la comida, presione el botón **Instant/Start** y el procedimiento de cocción preestablecido continuará.
- Para detener el proceso antes de que finalice el tiempo de configuración, presione el botón "**Stop/Clear**" dos veces para cancelar el procedimiento preestablecido y evitar la operación involuntaria del próximo uso.



- e. Con la potencia máxima de microondas, el horno reducirá automáticamente la potencia después de un cierto tiempo de cocción para alargar la vida útil.

#### 4. CALENTAMIENTO EXPRESA

Esta función le permitirá calentar brevemente una comida o bebida. Elija el tiempo adecuada (0:30, 1:00, 1:30) dependiendo de la capacidad de la comida o bebida.

- 1) Presione el botón "**Express**" para seleccionar el tiempo deseado (0:30, 1:00 o 1:30 minutos).
- 2) Presione el botón "**Instant/Start**" para iniciar el proceso de calentamiento rápido. La pantalla LCD muestra la cuenta regresiva del tiempo de calentamiento seleccionado.
- 3) Para detener el proceso antes del final del tiempo, presione el botón "**Parar/Borrar**" dos veces.
- 4) Una vez que se completa el proceso, la pantalla muestra la hora y sonará un pitido tres veces, indicando que el tiempo se ha completado.

#### 5. DESCONGELACIÓN

Esta función le permite descongelar alimentos según el tipo y el peso ingresado por el usuario. El tiempo de descongelación y el nivel de potencia se configuran automáticamente una vez que se programan la categoría de alimentos y el peso. El peso de los alimentos congelados varía de 100 g a 3000 g.

El tiempo seleccionado no se pudo aumentar durante la función de descongelación.

- 1) Presione el botón "**Defrost**" para seleccionar el tipo de alimento (d.1, d.2, d.3). La tabla muestra las tres opciones para descongelar alimentos.

|     |  |
|-----|--|
| d.1 | Para descongelar carne, el peso varía de 0,1 a 2,0 kg.         |
| d.2 | Para descongelar aves de corral, el peso varía de 0,2 a 3,0kg. |
| d.3 | Para descongelar mariscos, el peso oscila entre 0,1 a 0,9kg.   |

- 2) Gire el selector "**Auto Cooking/Time.Weight**" para ajustar el peso. La pantalla LCD mostrará el peso que ha elegido.
- 3) Presione el botón "**Instant/Start**" para comenzar el proceso de descongelación. La pantalla LCD muestra el tiempo de descongelación requerido de acuerdo con el peso de los alimentos que seleccionó y la cuenta regresiva del tiempo de cocción seleccionado.
- 4) En medio del proceso se escuchará un pitido de 2 pitidos 3 veces para que le dé la vuelta a la comida. Presione el botón "**Stop/Clear**" una vez y el proceso se detendrá. Después de girar la comida, presione el botón **Instant/Start** y el procedimiento de descongelación preestablecido continuará.

- 5) Para detener el proceso antes del final del tiempo de configuración, presione el botón "**Stop/Clear**" dos veces.
- 6) Una vez que se completa el proceso, la pantalla muestra la hora y sonará un pitido tres veces, indicando que el tiempo se ha completado.



### **ADVERTENCIA**

- a. Es necesario voltear los alimentos durante la operación para obtener un efecto uniforme.
- b. Por lo general, la descongelación necesitará más tiempo que la cocción de los alimentos.
- c. Si la comida se puede cortar con un cuchillo, el proceso de descongelación se puede considerar completado.
- d. El microondas penetra alrededor de 4 cm en la mayoría de los alimentos.
- e. Los alimentos descongelados se deben consumir lo antes posible, no se recomienda volver a poner en el refrigerador y congelar nuevamente.

## **6. MENÚ AUTOMÁTICO**

El horno microondas tiene un menú de cocción predeterminado. Seleccione el menú apropiado según el tipo de alimento y el peso de acuerdo con la siguiente tabla; de lo contrario, el efecto de cocción se verá muy afectado.

No se pudo aumentar el tiempo predeterminado durante la función de cocción.

- 1) En el estado de espera, gire el botón **Auto Cooking/Time.Weight**. para elegir el menú (A.1, A.2, ..., A.8). La siguiente tabla muestra las 8 opciones para cocinar alimentos:
- 2) Presione el botón "**Instant/Start**" para iniciar el proceso de cocción. La pantalla LCD muestra la cuenta regresiva del tiempo de cocción seleccionado.
- 3) Para detener el proceso antes del final del tiempo de configuración, presione el botón "**Stop/Clear**" dos veces.
- 4) Una vez que se completa el proceso, la pantalla muestra la hora y sonará un pitido tres veces, indicando que el tiempo se ha completado.



### **ADVERTENCIA**

- a. La temperatura de los alimentos antes de cocinar debe estar entre 20-25°C. Una temperatura más alta o más baja de los alimentos requeriría un aumento o disminución del tiempo de cocción.
- b. La temperatura, el peso y la forma de los alimentos influirán en gran medida en el efecto de cocción. Si se encuentra alguna desviación del factor indicado en el menú anterior, puede ajustar el tiempo de cocción para obtener el mejor resultado.

| Pantalla | Tipo              | Método   |
|----------|-------------------|--|
| A.1      | Palomitas de maíz | Adecuado para hacer palomitas de maíz en un peso empaquetado de 85g disponible comercialmente. Cuando el crujido se desvanece a uno cada 1-2 segundos, presione el botón " <b>Stop/Cancel</b> " para finalizar el proceso.   |
| A.2      | Palomitas de maíz | Igual que A.1 excepto para 100g de peso.   |
| A.3      | Pizza             | Calentar una pieza de pizza fría de 150g.  |
| A.4      | Bebida            | Calentar una taza de 250ml de líquido. La temperatura del líquido es cerca de 5-10°C. Use un vaso de boca ancha y no cubra.  |
| A.5      | Bebida            | Calentar una taza de 500ml de líquido. La temperatura del líquido es cerca de 5-10°C. Use un vaso de boca ancha y no cubra.  |
| A.6      | Patata            | Cocine las patatas, cortadas en palillos de 5mm de espesor. El peso total es de aproximadamente 450g. Coloque las tiras en un plato grande y cúbralo con una película delgada para evitar la pérdida de agua.  |
| A.7      | Patata            | Igual que A.6 excepto el peso es de 650g.  |
| A.8      | Pescado           | Adecuado para cocinar al vapor un pescado de 450g. Después de lavar y quitar las escamas, haga un corte en la piel del pescado. Colóquelo en un plato poco profundo de 22-27 cm de diámetro, espolvoree ligeramente con algún ingrediente y cúbralo con una película delgada para evitar la pérdida de agua. Después de cocinar, deje reposar por 2 minutos. |

## 7. INICIO AUTOMÁTICO A LA HORA PREESTABLECIDA

Si no desea que el menú se inicie inmediatamente, puede preestablecer el menú y la hora de cocción y el menú preestablecido se iniciará automáticamente a la hora establecida. La configuración constará de 2 pasos:

- A. Configuración del reloj actual (consulte la sección "Configuración del reloj")
- B. Configuración del menú y el tiempo de cocción.

**Ejemplo: ahora son las 12:30 horas, si espera que el horno de microondas comience a cocinar automáticamente con una potencia de microondas de 100P durante 9 minutos y 30 segundos a las 14:20.**

|     | Steps  | Display      |
|-----|--|--------------|
| 1   | Después del encendido, el colon parpadea.  | :            |
| 1.1 | Presione el botón <b>Preset.Clock</b> .  | <b>00:00</b> |
| 1.2 | Ajuste las horas girando el botón <b>Auto Cooking/Time.Weight</b> .  | <b>12:00</b> |
| 1.3 | Presione el botón <b>Preset.Clock</b> nuevamente para confirmar las horas.   | <b>12:00</b> |
| 1.4 | Ajuste los minutos girando el botón <b>Auto Cooking/ Time.Weight</b> .   | <b>12:30</b> |
| 1.5 | Presione el botón <b>Preset.Clock</b> una vez o espere 5 segundos, y la hora se mantendrá fija.  | <b>12:30</b> |
| 2   | Establecer el menú de cocción y la hora  |              |
| 2.1 | Seleccione la potencia de cocción presionando el botón <b>Micro Power</b> .  | <b>100P</b>  |
| 2.2 | Gire el botón <b>Auto Cooking/Time.Weight</b> para configurar el tiempo de cocción.  | <b>9:30</b>  |
| 2.3 | Mantenga presionado el botón <b>Preset.Clock</b> durante 3 segundos para volver a la hora actual.  |              |
| 3   | Establezca la hora a la que espera comenzar. Repita los pasos de 1.2, 1.3, 1.4.  |              |
| 4   | Presione el botón <b>Preset.Clock</b> para confirmar el menú de tiempo preestablecido. Ahora el programa se ha activado y el menú se iniciará a las 14:20. |              |
| 5   | Puede verificar el tiempo de inicio preestablecido presionando el botón <b>Preset.Clock</b> .  |              |

## ATENCIÓN

- Al programar el inicio automático en la función de tiempo preestablecido, puede seleccionar un máximo de 2 funciones de cocción.
- No seleccione la función Descongelar cuando programe esta función.
- No presione la tecla "**Instant/Start**" cuando complete todos los pasos necesarios para programar el tiempo de inicio de la cocción.

## 8. COCCIÓN MULTI-SECUENCIA

Para obtener el mejor resultado de cocción, algunas recetas necesitan un modo y tiempo de cocción diferentes durante el proceso de cocción. Puede programar su menú personalizado de la siguiente manera:

| Ejemplo: desea cocinar alimentos con microondas 100P durante 3 minutos y luego 20P durante 9 minutos. Esta es la configuración de 2 secuencias. |   |             |
|---|---|-------------|
|   | Pasos   | Monitor     |
| 1   | Microondas 100P por 3min.   |             |
| 1.1   | Presione el botón <b>Micro Power</b> para seleccionar el nivel de potencia.         | <b>100P</b> |
| 1.2   | Gire el botón <b>Auto Cooking/Time.Weight</b> para configurar el tiempo de cocción. | <b>3:00</b> |
| 2   | 20P para 9min.  |             |
| 2.1   | Presione el botón <b>Micro Power</b> para seleccionar el nivel de potencia deseado. | <b>20P</b>  |
| 2.2   | Gire el botón <b>Auto Cooking/Time.Weight</b> para configurar el tiempo de cocción. | <b>9:00</b> |
| 3   | Empezar a cocinar presionando <b>Instant/Start</b> .                                |             |

### ATENCIÓN

- Una vez que se completa la primera selección de cocción, la segunda selección comenzará automáticamente.
- Puede configurar hasta cuatro funciones diferentes repitiendo los pasos.

## 9. FUNCIÓN BLOQUEO INFANTIL

Úselo para evitar el funcionamiento sin supervisión del horno de microondas por parte de niños pequeños o cuando esté limpiando. Todos los botones quedan inoperables en este modo.

- Para bloquear --- En el estado de espera, pulse **Stop/Cancel** durante 3 segundos.
- Cancelar bloqueo --- En el estado de bloqueo pulse **Stop/Cancel** durante 3 segundos.

## 10. RECORDATORIO AUTOMÁTICO

Cuando finalice su procedimiento de cocción preestablecido, la pantalla LED mostrará **End** y se escucharán tres pitidos para pedirle que saque la comida. Si no presiona el

botón **Stop/Clear** una vez o no abre la puerta, sonará un pitido en un intervalo de 3 minutos.

### **Consejos de cocina**

Los siguientes factores pueden afectar el resultado de la cocción:

#### **Arreglo de alimentos**

Coloque los alimentos más gruesos hacia afuera del plato, la parte más delgada hacia el centro y extiéndalos uniformemente. No se superponga si es posible.

#### **Tiempo de cocción**

Comience a cocinar con un ajuste de tiempo corto, evalúelo y extiéndalo según la necesidad real. Cocinar en exceso puede provocar humo y quemaduras.

#### **Cocinar comida de manera uniforme**

Los alimentos como el pollo, la hamburguesa o el bistec deben girarse una vez durante la cocción. Dependiendo del tipo de alimento, si corresponde, revuélvalo del exterior al centro del plato, una o dos veces, durante la cocción.

#### **Permitir tiempo de reposo**

Después de completar la cocción, deje la comida en el horno por un período de tiempo adecuado. Esto le permite completar el ciclo de cocción y enfriarlo de manera gradual.

#### **Cuando la comida esté lista**

El color y la dureza de los alimentos ayudan a determinar si se hace, estos incluyen:

- Sale vapor de todas las partes de los alimentos, no solo del borde.
- Las articulaciones de aves de corral se pueden mover fácilmente.
- La carne de cerdo o aves de corral no muestra signos de sangre.
- El pescado es opaco y se puede cortar fácilmente con un tenedor.

#### **Película delgada de microondas**

Cuando cocine alimentos con alto contenido de grasa, no permita que la envoltura de plástico entre en contacto con los alimentos, ya que puede derretirse.

#### **Utensilios de cocina de plástico aptos para microondas**

Algunos utensilios de cocina plásticos aptos para microondas pueden no ser adecuados para cocinar alimentos con alto contenido de grasa y azúcar. Además, no se debe exceder el tiempo de precalentamiento especificado en el manual de instrucciones del plato.

## Limpieza y mantenimiento

Desconecte el microondas y retire el enchufe.

**ADVERTENCIA:** No sumerja el aparato en agua o cualquier otro líquido.

**ADVERTENCIA:** Jamás utilice gasolina, disolventes, limpiadores abrasivos, objetos metálicos o cepillos duros para limpiar el aparato.

### Espacio interior

- Mantenga limpio el espacio interior del horno. Salpicaduras y líquidos derramados en las paredes del horno se pueden quitar con un paño húmedo. Si el horno está muy sucio también se puede usar un detergente suave. Por favor no utilice detergentes agresivos.
- Limpie la ventana por afuera y por adentro con un paño húmedo y elimine con regularidad las salpicaduras y las manchas de los líquidos derramados.

### Paredes exteriores

- Las paredes exteriores de la carcasa solo se deberían limpiar con un paño húmedo. Tenga atención de que no entre ningún agua en las aberturas de la carcasa y con ello en el interior del aparato.
- Para la limpieza de los interruptores por favor también utilice solo un paño húmedo. Para la limpieza de los interruptores de función abra con anterioridad la puerta del microondas para evitar una conexión por descuido del aparato.

### Accesorios

- De vez en cuando debería limpiar el plato de vidrio con un líquido lavavajillas o en el lavavajillas.
- El anillo giratorio y el suelo interior del horno deberían ser limpiados con regularidad. El anillo giratorio se puede extraer y limpiar a mano. Para ello, puede utilizar detergente suave o líquido para limpiar ventanas. A continuación, seque todo bien. También preste atención de que a continuación el anillo sea colocado correctamente.

### Olor

- Para eliminar olores desagradables del microondas, coloque en el horno un cuenco apropiado para el microondas conteniendo agua y zumo de limón, calentado esto aprox. 5 minutos. A continuación, limpie el horno con un paño suave.

### Iluminación de horno

- Para recambiar la iluminación del horno diríjase por favor a un taller especializado en su cercanía.

## Almacenamiento

- Si no va a utilizar el aparato durante un periodo prolongado de tiempo, guárdelo cuidadosamente.
- Asegúrese de que el aparato esté desenchufado, frío y totalmente seco.
- Guarde el aparato en un lugar fresco y seco.
- Mantenga el aparato fuera del alcance de los niños.

## Resolución de problemas

| Problema  | Motivo posible   | Solución   |
|---|--|--|
| <b>No se puede iniciar el horno.</b>  | 1) El cable de alimentación no está enchufado correctamente.   | Desenchúfelo Luego, enchúfelo nuevamente por 10 segundos.  |
|   | 2) El fusible está quemado o el disyuntor se ha activado.      | Sustituya el fusible o restablezca el disyuntor (reparado por un operador profesional de nuestra empresa). |
|   | 3) Problemas con el tomacorriente.                             | Compruebe la toma eléctrica enchufando otros aparatos.   |
| <b>El horno no calienta.</b>  | La puerta no está cerrada correctamente.                       | Cierre la puerta correctamente.  |
| <b>El plato giratorio de cristal hace ruido durante el funcionamiento del horno microondas.</b> | El plato giratorio y la parte inferior del horno están sucios. | Consulte la sección "Limpieza y mantenimiento" para limpiar las partes sucias.                             |



## Datos técnicos

|  |               |
|--|---------------|
| Modelo:                                    | MW-80B.008A   |
| Suministro de tensión:                     | 230V~, 50Hz   |
| Consumo de energía microondas:             | 1280W         |
| Potencia asignada de salida de microondas: | 800W/2450 MHz |
| Volumen espacio de cocción:                | 23 litros     |
| Clase de protección:                       | I             |
| Peso neto:                                 | 11,7kg        |

## Información sobre hornos microondas (grupo II, clase B según EN 55011)

En el aparato se generan ondas electromagnéticas que provocan fuertes oscilaciones en las moléculas contenidas en los alimentos, principalmente moléculas de agua. Estas oscilaciones generan calor. Por ello, los alimentos con un elevado contenido líquido se calientan más rápidamente que los alimentos más secos. El plato solo se calienta indirectamente a través del alimento. Este producto es un aparato ISM del grupo 2 clase B. El grupo 2 engloba todos los aparatos ISM (industriales, científicos y médicos), en los que se genera energía por radiofrecuencia y/o se utiliza en forma de radiación electromagnética para el tratamiento de material, así como en los aparatos de mecanizado por descargas eléctricas. La clase B está compuesta por aparatos para el uso doméstico o aparatos conectados a redes de alimentación eléctrica que alimentan edificios residenciales.

## Declaración de Conformidad

Este aparato se ha examinado según las normativas actuales y vigentes de la Comunidad Europea, como p.ej. compatibilidad electromagnética y directiva de baja tensión y se ha construido según las más nuevas especificaciones en razón de la seguridad.

Este dispositivo fue diseñado, fabricado y distribuido de acuerdo con las siguientes directivas:



- los objetivos de seguridad de la Directiva de Baja Tensión 2014/35/EU;
- Requisitos para la protección de la Directiva EMC 2014/30/EU.
- utilización de determinadas sustancias peligrosas en aparatos eléctricos y electrónicos conforme a la directiva RoHS (EU) 2015/863.

La seguridad eléctrica del aparato sólo se asegura mediante una toma de tierra según la normativa vigente.

### Disposición – La política ambiental

El aparato se ha fabricado con material reciclable.

**Este aparato lleva el marcado CE en conformidad con la Directiva 2012/19/EU del Parlamento Europeo y del Consejo sobre residuos de aparatos eléctricos y electrónicos (RAEE).**

La correcta eliminación de este producto evita consecuencias negativas para el medioambiente y la salud.



Este símbolo en el producto o en los documentos que acompañan el producto, indica que este aparato no puede ser tratado como residuos domésticos. Es su lugar se debe entregar al punto de recogida para el reciclaje de equipos eléctricos y electrónicos.

Para eliminación debe realizarse de conformidad con las normas medioambientales para eliminación de residuos. Entrégalo a un vertedero autorizado, no lo deje ni siquiera por unos días, ya que es potencialmente peligroso para los niños.

Para obtener información más detallada sobre el tratamiento, recuperación y reciclaje de este producto, póngase en contacto con el ayuntamiento, su servicio de desechos del hogar o la tienda donde adquirió el producto.

## Declaración de garantía

En la medida que se trate de derechos de eliminación de deficiencias (regulación legal), éstos deben ser llevados a cabo a través de la otra parte contratante (comercio especializado). Además, el distributor asuma la siguiente garantía del fabricante:

1. El fabricante asume una garantía de 24 meses (\*) para este aparato, según las condiciones estipuladas a continuación, comenzando en la fecha de compra estipulada en la factura original u otros documentos.
2. La solicitud de prestaciones en garantía se debe hacer a través del comercio especializado.
3. La garantía voluntaria abarca la reparación de todos los daños o defectos del aparato, cuando se estableciera que están causados por fallos de material o de fabricación.
4. La garantía voluntaria no incluye los casos de daños o defectos debidos a la conexión incorrecta, manejo incorrecto o no observación de las instrucciones de programación y de uso y fuerza mayor. La garantía voluntaria no incluye trabajos de instalación o programación del comercio especializado. Sobre todo, no existe ningún derecho a trabajos de instalación y de programación gratuitos que deba realizar el comerciante especializado. La garantía voluntaria no abarca aquellos defectos que apenas afecten el valor o la utilidad del aparato. Quedan excluidos de la garantía voluntaria expresamente otros costes, como p. ej. de instalación y desplazamiento.
5. El distributor puede optar a la sustitución por un aparato equivalente en lugar de la reparación. No se admiten otras demandas de indemnización. Los datos guardados en el equipo se han perdido después de reparación o cambio.
6. La garantía voluntaria queda sin validez cuando se hubieran realizado modificaciones del producto o el producto es utilizado en un país para el cual no fue desarrollado y fabricado.
7. La prestación de la garantía voluntaria presupone que el producto se envía completamente al fabricante en un embalaje a prueba de golpes y roturas (si es posible, en el embalaje original), junto con el comprobante de garantía del comercio especializado.
8. Si el examen determinase que no se está ante un caso de garantía o que el producto no presenta fallos, los gastos de reparación y comprobación correrán a cargo del abonado. El distributor que lleva a cabo los trabajos que resulta de la garantía voluntaria tiene el derecho de enviar una cuenta por los costes resultantes.
9. Las prestaciones en la garantía voluntaria no implican una prolongación del período de garantía ni inician un nuevo período de la garantía voluntaria.
10. Los derechos legales de garantía del cliente final no son recortados ni excluidos debido a esta declaración libre de garantía de parte del fabricante.

El cliente disfruta de todas las garantías previstas en la Directiva 1999/44/CE del Parlamento Europeo y del Consejo, de 25 de mayo.

(\*) Solo para países de la Unión Europea

## **Cher Client**

Merci d'avoir choisi un produit HÆGER.

Les produits HÆGER sont conçus pour le bien-être du consommateur, en insistant sur les plus hauts standards de qualité, de fonctionnalité et de design. Nous sommes certains de leur satisfaction à l'achat de ce produit.

Nous supposons que l'utilisateur détient des connaissances générales sur l'emploi des appareils électroménagers.

Lisez attentivement ce mode d'emploi avant de mettre l'appareil en marche pour la première fois. Conservez le mode d'emploi ainsi que le bon de garantie, votre ticket de caisse et si possible, le carton avec l'emballage se trouvant à l'intérieur. Si vous remettez l'appareil à des tiers, veuillez-le remettre avec son mode d'emploi.

## **Conseils généraux de sécurité**

Lorsque vous utilisez cet appareil ou tout autre appareil électrique, respectez toujours les précautions de sécurité élémentaires :



### **LISEZ TOUTES LES INSTRUCTIONS AVANT L'UTILISATION**

- **Cet appareil peut être utilisé par les enfants de 8 ans et plus et les personnes atteintes de handicap mental, physique ou sensoriel ou les personnes qui manquent d'expérience ou de connaissances s'ils sont supervisés ou s'ils ont reçu des instructions à propos de l'utilisation de l'appareil d'une manière sûre et s'ils en comprennent les dangers.**
- **Les enfants ne doivent pas jouer avec l'appareil.**
- **Le nettoyage et l'entretien par l'utilisateur ne peuvent pas être effectués par les enfants à moins qu'ils soient âgés de plus de 8 ans et supervisés.**
- **Conservez l'appareil et son cordon hors de portée des enfants de moins de 8 ans.**

- N'utilisez cet appareil que pour un usage privé et pour les tâches auxquelles il est destiné. Cet appareil n'est pas prévu pour une utilisation professionnelle. Ne l'utilisez pas en plein air. Protégez-le de la chaleur, des rayons directs du soleil, de l'humidité (ne le plongez en aucun cas dans l'eau) et des objets tranchants. N'utilisez pas cet appareil avec des mains humides. S'il arrive que de l'humidité ou de l'eau atteignent l'appareil, débranchez aussitôt le câble d'alimentation.
- Arrêtez l'appareil et débranchez toujours le câble d'alimentation de la prise de courant (en tirant sur la fiche et non pas sur le câble) si vous n'utilisez pas l'appareil, si vous installez les accessoires, pour le nettoyage ou en cas de panne.
- Ne laissez jamais fonctionner l'appareil sans surveillance. Lorsque vous quittez la pièce, toujours arrêter l'appareil. Débranchez la fiche de la prise.
- Contrôlez régulièrement l'appareil et le câble. Ne mettez pas l'appareil en marche s'il est endommagé.
- Ne réparez pas l'appareil vous-même. Contactez plutôt un technicien qualifié. Pour éviter toute mise en danger, ne faites remplacer le câble défectueux que par un câble équivalent et que par le fabricant, ou toute personne de qualification similaire.
- N'utilisez que les accessoires d'origine.
- Respectez les "Conseils de sécurité spécifiques" ci-dessous.

### Importantes mesures de sécurité

A lire avec attention et à conserver.

- Ne pas chauffer au four à micro-ondes les coussins remplis de graines, de noyaux de cerises ou de gel. **RISQUE D'INCENDIE !!!**
- **Risque** : l'appareil ne doit en aucun cas être utilisé lorsque la porte ou le joint de la porte sont détériorés. L'appareil doit alors impérativement être réparé par une personne qualifiée.
- **Risque** : ne réparez jamais l'appareil vous-même. Adressez-vous plutôt à un spécialiste. Il est dangereux pour toute personne non qualifiée d'effectuer des travaux d'entretien ou des réparations nécessitant le démontage du cache de l'appareil qui lui-même est une protection contre les irradiations des micro-ondes.
- **Risque** : Ne réchauffez pas les liquides dans des récipients fermés. **Risque d'explosion !**
- **Risque** : Ne placez pas votre four à micro-ondes dans un placard. Veillez à avoir une distance de ventilation d'au moins 20 cm entre toutes les parois de l'appareil et les placards, murs, etc. environnants.

- **Avertissement** : les pièces accessibles peuvent chauffer pendant l'utilisation. Les jeunes enfants doivent être tenus à l'écart. Veillez à ne pas toucher les éléments chauffants à l'intérieur du four.



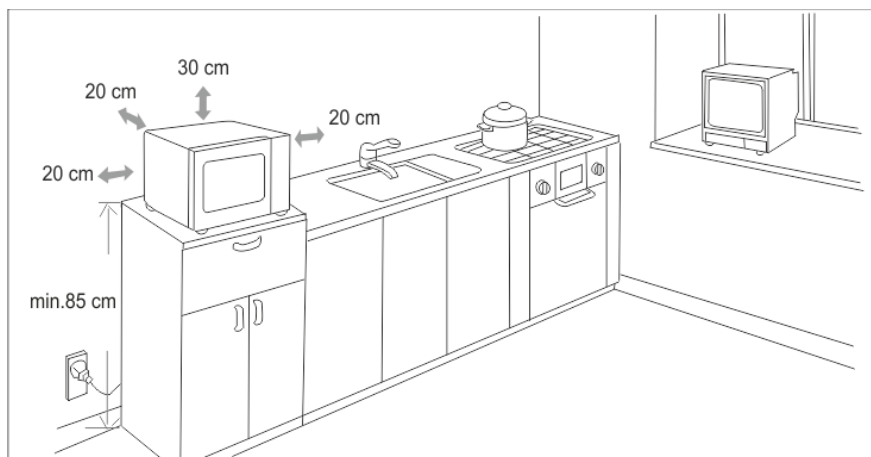
- **AVERTISSEMENT : La surface risque de chauffer pendant l'utilisation**
- **Remarque** : Le four a micro-ondes n'est pas prévu pour chauffer/réchauffer des animaux vivants.
- N'utiliser que de la vaisselle appropriée comme : la vaisselle en verre, porcelaine, céramique, plastique résistant à la chaleur ou la vaisselle spéciale micro-ondes.
- Cet appareil à micro-ondes doit souvent être surveillé pendant le réchauffement ou la cuisson de nourritures dans des récipients inflammables, comme le plastique ou le carton, en raison du risque d'inflammation.
- En cas de formation de fumée, éteindre l'appareil et retirez la prise. Laissez la porte fermée afin d'étouffer les éventuelles flammes.
- **Délai d'ébullition** : pendant l'ébullition, en particulier lors de la chauffe de liquides (eau), il peut arriver que la température d'ébullition soit atteinte, mais que les bulles de vapeur typiques ne remontent pas encore à la surface. Le liquide n'arrive pas à ébullition régulièrement. Ce décalage d'ébullition peut lors du retrait du récipient entraîner une formation soudaine de bulles de vapeur en raison d'une légère secousse et ainsi un débordement en bouillant. Risque de brûlure ! Afin de parvenir à une ébullition régulière, placez un bâton en verre ou un objet similaire non métallique dans le récipient.
- Le contenu des petits biberons et petits pots de bébé avec des aliments pour bébé doit être mélangé et secoué et leur température doit être contrôlée avant qu'ils soient consommés. **Risque de brûlure.**
- Il est interdit de réchauffer des aliments avec une coque ou une peau comme des œufs, des saucisses, des bocaux fermes, etc. car ils risquent d'exploser, même après avoir été réchauffés dans l'appareil.
- L'encadrement, le joint de la porte et toute pièce avoisinante doivent, s'ils sont sales, être nettoyés soigneusement avec un torchon humide.
- Nettoyez régulièrement l'appareil et retirez les dépôts de nourriture se trouvant à l'intérieur de l'appareil.
- Un mauvais entretien de l'appareil peut endommager la surface des parois, ce qui peut avoir une incidence sur la durée de vie de l'appareil et éventuellement être dangereux.

## Liste des différents éléments de commande

- |                               |                              |
|-------------------------------|------------------------------|
| 1. Verrouillage de la porte   | 2. Fenêtre d'observation     |
| 3. Plateau en verre tournante | 4. Couvercle du guide d'onde |
| 5. Bague rotative             | 6. Axe de rotation           |
| 7. Panneau de contrôle        |                              |

## Installation et branchement

- Retirer tous les accessoires et les éléments d'emballage. Examiner le four et vérifier qu'il ne présente pas de dégâts comme des bosses ou une porte brisée. Ne pas installer si le four est endommagé.
- Retirer toute pellicule de protection de la surface du boîtier du four à micro-ondes.
- Ne pas retirer la couverture de guide d'onde qui est attaché à la cavité du four pour protéger le magnétron.
- Choisir une surface plane qui fournit assez d'espace libre pour les orifices d'entrée et/ou de sortie de l'air.



- La hauteur d'installation minimale est de 85 cm.
- La surface arrière de l'appareil peut être placée contre un mur en laissant une distance minimale de 30 cm au-dessus du four. Une distance de 20 cm est nécessaire entre le four et les murs adjacents.
- Ne retirez pas les pieds au bas du four.
- Bloquer les orifices d'admission et/ou d'expulsion de l'air peut endommager le four.
- Placer le four le plus loin possible de radio ou de TV. L'utilisation du four à micro-ondes peut causer des interférences à votre réception TV ou de la radio.

- Brancher votre four a une prise domestique standard. Vérifier que la tension et la fréquence sont identiques à celles indiquées sur l'étiquette de classe électrique du four.



La surface peut devenir chaude pendant l'utilisation

**ATTENTION** : Ne pas installer le four au-dessus d'un poêle ou autre appareil produisant de la chaleur. Si le four est installé près ou au-dessus d'une source de chaleur, il pourrait être endommagé.

### Vaisselle allant au four a micro-ondes

- Le matériel idéal à utiliser dans un four à micro-ondes doit être transparent et permettent aux micro-ondes de chauffer équitablement les aliments.
- Les micro-ondes ne peuvent pénétrer le métal, c'est pourquoi ne pas utiliser de récipients ou d'assiettes en métal.
- Ne pas utiliser de barquettes en carton recycle, car elles pourraient contenir de faibles pourcentages de métal ce qui risquerait alors de provoquer des étincelles ou des incendies.
- Les bols et les assiettes ronds/ovales conviennent mieux que les bols et assiettes carrés, car les aliments dans les coins risqueraient de déborder.
- La liste ci-dessous vous facilite le choix de la vaisselle convenant au four à micro-ondes :

| MATÉRIAL                                       | MICRO-ONDES |
|--|-------------|
| Récipient en verre résistant à la chaleur      | Oui         |
| Récipient en verre non résistant à la chaleur  | Non         |
| Récipient en céramique résistant à la chaleur  | Oui         |
| Récipient en plastique pour four à micro-ondes | Oui         |
| Papier de cuisine                              | Oui         |
| Plateau ou grille en métal                     | Non         |
| Aluminium ou récipient en film d'aluminium     | Non         |

### Utilisation de l'appareil

#### Ce qu'il faut savoir sur le service des micro-ondes

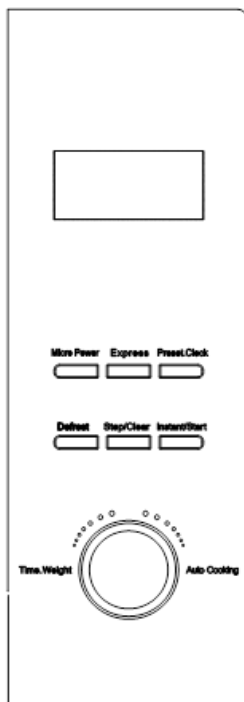
- Votre appareil fonctionne par rayonnement de micro-ondes qui chauffent très rapidement les particules d'eau dans les aliments. Vous n'avez ici pas de rayons de chaleur et donc pas de coloration brune.
- Ne faites chauffer avec cet appareil que des aliments.



- L'appareil n'est pas approprié pour la cuisson de graisse flottante.
- Ne faites chauffer qu'1 ou 2 portions à la fois. L'appareil est autrement moins efficace.
- Mettez le minuteur sur la position "0" si vous voulez interrompre le fonctionnement.
- Les micro-ondes fournissent immédiatement une pleine énergie. Il n'est ainsi pas nécessaire de préchauffer.
- N'utilisez jamais l'appareil à vide en position micro-ondes.
- Le four micro-ondes ne remplace pas le four traditionnel. Il sert uniquement à :
  - Décongeler les aliments surgelés/congelés
  - Faire chauffer/réchauffer rapidement les aliments ou les boissons
  - Cuire des mets
- Ne pas utiliser de vaisselle en plastique ou en carton.

## Fonctionnement du panneau de commande

### 1. COMMANDES SUR LE PANNEAU DE COMMANDE



**Micro Power** - Sélection des niveaux de puissance du micro-ondes.

**Express** - Sélection de l'heure 0:30, 1:00, 1:30.

**Preset/Clock** - En conjonction avec le bouton rotatif pour régler l'heure ou l'heure de début.

**Dégivrage** - Dégivrage automatique, trois programmes sélectionnables en fonction du type d'aliment et du poids.

**Stop/Clear** - Appuyez sur pour annuler le réglage ou réinitialiser le four avant de définir un programme de cuisson.

Appuyez une fois pour arrêter temporairement la cuisson ou deux fois pour annuler la cuisson.

**Instant/start (Démarrage instantané)** : en mode veille, le four démarre la cuisson express à puissance élevée (100%) pendant une minute. Vous pouvez augmenter ou diminuer le temps de cuisson en tournant le bouton **Auto Cooking / Time.Weight**.

**Time.Weight / Auto Cooking** - Bouton rotatif pour sélectionner le temps ou le poids ou le menu de cuisson automatique.

## 2. RÉGLAGE DE L'HORLOGE

Lorsque le four à micro-ondes est électrifié, le voyant LED clignote 3 fois, puis les deux points clignotants «:» vous invitent à saisir l'heure. Suivez les étapes ci-dessous pour régler l'heure actuelle.

| Exemple : régler 12h30 |   |           |
|------------------------|---|-----------|
|                        | Étapes  | Affichage |
| 1                      | Après la mise sous tension, les deux points clignotent.   | :         |
| 2                      | Appuyez une fois sur la touche <b>Preset.Clock</b> .  | 00:00     |
| 3                      | Tournez le bouton <b>Auto Cooking/Time.Weight</b> pour régler l'heure.                                | 12:00     |
| 4                      | Appuyez à nouveau sur la touche <b>Preset. Clock</b> .  | 12:00     |
| 5                      | Tournez le bouton <b>Auto Cooking/Time.Weight</b> pour régler les minutes.                            | 12:30     |
| 6                      | Appuyez une fois de plus sur la touche <b>Preset. Clock</b> ou attendez 5 minutes, l'heure est fixée. |           |

**Remarque :** Si vous appuyez sur le bouton "Stop/Clear" pendant le réglage de l'heure, annulez le programme / réglage.

**Remarque :** Réglez toujours l'heure lorsque vous branchez le cordon d'alimentation ou après une interruption de courant.

## 3. CUISSON AU FOUR À MICRO-ONDES

Cette fonction est utilisée pour la cuisson et le chauffage des aliments.

- 1) Placez les mets à réchauffer dans la vaisselle adaptée.
- 2) Ouvrez la porte et placez le récipient au milieu sur l'assiette en verre. Refermez la porte. (Pour des raisons de sécurité, l'appareil ne fonctionne que quand la porte est bien fermée.)
- 3) Appuyez sur le bouton de commande "Micro Power" jusqu'à ce que la fonction souhaitée soit affichée à l'écran. Le tableau ci-dessous indique 5 options d'alimentation micro-ondes avec les signes et fonctions correspondants :
- 4) Tournez le bouton " **Auto Cooking/Time.Weight**" pour régler le temps de cuisson / réchauffement. L'écran LCD affichera le temps que vous avez choisi.
- 5) Appuyez sur le bouton " **Instant/Start**" pour lancer le processus de cuisson / réchauffement. L'écran LCD affiche le compte à rebours du temps de cuisson sélectionné.
- 6) Une fois ce laps de temps écoulé, l'appareil s'éteint et l'écran LED indique **End** et 3 bips sonores retentissent. Sortez alors les aliments.

| Afficher % (P) | Puissance   | Puissance micro-ondes (Watts) | Application                                     |
|----------------|-------------|-------------------------------|---|
| 100P           | Haute       | 800                           | Applicable pour une cuisson rapide et complète. |
| 80P            | Moyen haute | 640                           | Applicable pour la cuisson express moyenne.     |
| 60P            | Moyen       | 480                           | Applicable pour cuire des aliments à la vapeur. |
| 40P            | Moyen basse | 320                           | Applicable pour décongeler des aliments.        |
| 20P            | Faible      | 160                           | Applicable pour garder les aliments au chaud.   |

**Exemple : Pour cuir à 80P pou 10 minutes.**

|   | Étapes   | Affichage |
|---|--|-----------|
| 1 | Après la mise sous tension, les deux points clignotent.  | :         |
| 2 | Sélectionnez la puissance micro-ondes souhaitée en appuyant sur le bouton <b>Micro Power</b> l'un après l'autre. | 80P       |
| 3 | Réglez le temps de cuisson en tournant le bouton <b>Auto Cooking/ Time.Weight</b> .                              | 10:00     |
| 4 | Appuyez sur le bouton <b>Instant/Start</b> pour démarrer et la LED compte à rebours pour afficher la durée.      |           |



## PRÉCAUTION

- Le temps maximum pouvant être réglé est de 60 minutes.
- Ne faites jamais fonctionner le four à micro-ondes vide.
- Si vous faites tourner les aliments en cours de fonctionnement, appuyez une fois sur le bouton **Stop/Clear** pour arrêter le processus. Après avoir tourné les aliments, appuyez sur le bouton **Instant/Start** pour poursuivre la procédure de cuisson pré-réglée.
- Pour arrêter le processus avant la fin du temps défini, appuyez deux fois sur le bouton **Stop/Clear** pour annuler la procédure pré-réglée et éviter toute utilisation inattendue lors de la prochaine utilisation.
- À la puissance maximale du four à micro-ondes, le four la baissera automatiquement après un certain temps de cuisson pour prolonger sa durée de vie.

## 4. RÉCHAUFFEMENT EXPRESS

Cette fonction vous permettra de chauffer brièvement des aliments ou des boissons. Choisissez l'heure qui convient (0h30, 13h00 et 13h30) en fonction de la capacité en nourriture ou en boisson.

- 1) Appuyez sur le bouton "**Express**" pour sélectionner le temps souhaitée (0:30, 1:00 ou 1:30 minutes).
- 2) Appuyez sur le bouton "**Instant/Start**" pour lancer le processus de réchauffement rapide. L'écran LCD affiche le compte à rebours du temps de cuisson sélectionné.
- 3) Pour arrêter le processus avant la fin du temps de réglage, appuyez deux fois sur le bouton "**Stop / Effacer**".
- 4) Une fois le processus terminé, l'écran affiche l'heure et un bip retentit trois fois pour indiquer que l'heure est terminée.

## 5. DÉCONGÉLATION

Cette fonction vous permet de décongeler des aliments en fonction du type et du poids entré par l'utilisateur. Le temps de décongélation et le niveau de puissance sont automatiquement définis une fois que la catégorie d'aliment et le poids sont programmés. Le poids des aliments congelés varie de 100g à 3000g.

La durée sélectionnée n'a pas pu être augmentée pendant la fonction de dégivrage.

- 1) Appuyez sur le bouton "**Defrost**" pour sélectionner le type d'aliment (d.1, d.2, d.3). Le tableau suivant indique les trois options pour décongeler des aliments.

|     |  |
|-----|--|
| d.1 | Pour la décongélation de la viande, le poids varie de 0.1 à 2.0 kg.    |
| d.2 | Pour la décongélation de la volaille, le poids varie de 0.2 à 3.0kg.   |
| d.3 | Pour la décongélation de fruits de mer, le poids varie de 0.1 à 0.9kg. |

- 2) Tournez le sélecteur "**Auto Cooking / Time.Weight**" pour régler le poids. L'écran LCD affichera le poids que vous avez choisi.
- 3) Appuyez sur le bouton "**Instant/Start**" pour lancer le processus de décongélation. L'écran LCD affiche le temps de décongélation requis en fonction du poids de l'aliment sélectionné et du compte à rebours du temps de cuisson sélectionné.
- 4) Au milieu du processus, un bip sonore retentit 3 fois pour vous demander de retourner les aliments. Appuyez sur le bouton "**Stop/Clear**" une fois et le processus s'arrête. Après avoir retourné les aliments, appuyez sur le bouton **Instant/Start** pour poursuivre la procédure de décongélation prééglée.

- 5) Pour arrêter le processus avant la fin du temps de réglage, appuyez deux fois sur le bouton "**Stop/Clear**".
- 6) Une fois le processus terminé, l'écran affiche l'heure et un bip retentit trois fois pour indiquer que le temps est terminée.

### **PRÉCAUTION**

- a. Il est nécessaire de retourner les aliments en cours de fonctionnement pour obtenir un effet uniforme.
- b. La décongélation nécessite généralement plus de temps que la cuisson des aliments.
- c. Si les aliments peuvent être coupés au couteau, le processus de décongélation peut être considéré comme terminé.
- d. Le micro-ondes pénètre environ 4 cm dans la plupart des aliments.
- e. Les aliments décongelés doivent être consommés dès que possible, il est déconseillé de les remettre au réfrigérateur et de les congeler à nouveau.

## **6. MENU AUTO**

Le four à micro-ondes a un menu de cuisson par défaut. Sélectionnez le menu approprié en fonction du type d'aliment et du poids selon le tableau suivant, sinon l'effet de cuisson en sera grandement affecté.

La durée par défaut n'a pas pu être augmentée pendant la fonction de cuisson.

- 1) En attente, tournez le bouton **Auto Cooking/Time.Weight** pour choisir le menu (A.1, A.2, ..., A.8). Le tableau suivant indique les 8 options pour la cuisson des aliments :
- 2) Appuyez sur le bouton "**Instant/Start**" pour lancer le processus de cuisson. L'écran LCD affiche le compte à rebours du temps de cuisson sélectionné.
- 3) Pour arrêter le processus avant la fin du temps de réglage, appuyez deux fois sur le bouton "**Stop/Clear**".
- 4) Une fois le processus terminé, l'écran affiche l'heure et un bip retentit trois fois pour indiquer que le temps est terminée.

### **PRÉCAUTION**

- a. La température des aliments avant la cuisson devrait être entre 20-25°C. Une température plus ou moins élevée des aliments nécessiterait une augmentation ou une diminution du temps de cuisson.
- b. La température, le poids et la forme des aliments influenceront largement sur l'effet de cuisson. Si tout écart a été constaté au facteur indiqué dans le menu ci-dessus, vous pouvez régler le temps de cuisson pour le meilleur résultat.

| Afficheur | Genre   | Méthode   |
|-----------|---------|---|
| A.1       | Popcorn | Convient pour faire éclater un sac de maïs, disponible sur le marché, pesant 85 g. Lorsque le son de craquement diminue à 1 fois toutes les 1-2 secondes, appuyer sur le bouton <b>Stop/Clear</b> pour mettre fin au processus.   |
| A.2       | Popcorn | Identique à A.1 sauf 100g de poids.   |
| A.3       | Pizza   | Réchauffez un morceau de pizza froid de 150g.   |
| A.4       | Boisson | Chauffer un verre de 250ml de liquide. La température du liquide est comprise entre 5 et 10. Utilisez un verre à large ouverture et ne couvrez pas.   |
| A.5       | Boisson | Chauffer un verre de 500ml de liquide. La température du liquide est comprise entre 5 et 10. Utilisez un verre à large ouverture et ne couvrez pas.   |
| A.6       | Patate  | Cuire les lanières de pomme de terre coupées en cure-dents de 5 mm d'épaisseur. Le poids total est d'environ 450g. Placez les lanières sur un grand plat et couvrez-le d'un film mince pour éviter la perte d'eau.  |
| A.7       | Patate  | Identique à A.6 sauf que le poids est d'environ 650g.   |
| A.8       | Poisson | Convient pour cuire à la vapeur un poisson de 450g. Une fois le poisson lavé et les écailles retirées, faites une fente sur la peau du poisson. Placez le poisson dans un plat peu profond de 22 à 27 cm de diamètre, saupoudrez-le légèrement d'un ingrédient et recouvrez le plat d'un film mince pour éviter la perte d'eau. Après la cuisson, attendez 2 minutes. |

### 7. DÉMARRAGE AUTOMATIQUE À L'HEURE PRÉFÉRÉE

Si vous ne voulez pas que le menu soit démarré immédiatement, vous pouvez prérégler le menu de cuisson et l'heure et le menu prérégulé démarrera automatiquement à l'heure que vous avez définie. Le réglage consistera en 2 étapes :

- A. Réglage de l'horloge actuelle (voir la section « **Réglage de l'horloge** »)
- B. Réglage du menu de cuisson et de l'heure.

**Exemple : Il est maintenant 12h30, si vous espérez que le four à micro-ondes commencera automatiquement à cuire avec une puissance de micro-ondes de 100P pendant 9 minutes et 30 secondes à 14h20.**

|     | Étapes   | Afficher     |
|-----|--|--------------|
| 1   | Après la mise sous tension, les deux points clignotent.  | :            |
| 1.1 | Appuyez sur le bouton <b>Preset.Clock</b> .  | <b>00:00</b> |
| 1.2 | Réglez les heures en tournant le bouton <b>Auto Cooking / Time.Weight</b> .  | <b>12:00</b> |
| 1.3 | Appuyez à nouveau sur le bouton <b>Preset.Clock</b> pour confirmer les heures.   | <b>12:00</b> |
| 1.4 | Réglez les minutes en tournant le bouton <b>Auto Cooking / Time.Weight</b> .   | <b>12:30</b> |
| 1.5 | Appuyez une fois sur le bouton <b>Preset.Clock</b> ou attendez 5 secondes et les heures resteront fixé.                                      | <b>12:30</b> |
| 2   | Définir le menu de cuisson et l'heure  |              |
| 2.1 | Sélectionnez la puissance de cuisson en appuyant sur le bouton <b>Micro Power</b> .  | <b>100P</b>  |
| 2.2 | Tournez le bouton <b>Auto Cooking / Time.Weight</b> pour régler le temps de cuisson.   | <b>9:30</b>  |
| 2.3 | Appuyez sur le bouton <b>Preset.Clock</b> et maintenez-le enfoncé pendant 3 secondes pour revenir à l'heure actuelle.                        |              |
| 3   | Définissez l'heure à laquelle vous prévoyez de commencer. Répétez les étapes de 1.2, 1.3, 1.4.   |              |
| 4   | Appuyez sur le bouton <b>Preset.Clock</b> pour confirmer la programmation. Le programme est maintenant activé et le menu sera lancé à 14h20. |              |
| 5   | Vous pouvez vérifier l'heure de début prédéfinie en appuyant sur le bouton <b>Preset.Clock</b> .   |              |

### **ATTENTION**

- Lors de la programmation de la fonction de démarrage automatique à une heure pré-réglée, vous pouvez sélectionner 2 fonctions de cuisson au maximum.
- Ne sélectionnez pas la fonction de dégivrage lorsque vous programmez cette fonction.
- N'appuyez pas sur la touche "Instant / Start" lorsque vous avez terminé toutes les étapes nécessaires à la programmation de l'heure de début de cuisson.

## 8. CUISSON MULTI-SEQUENCES

Pour obtenir les meilleurs résultats de cuisson, certaines recettes nécessitent un mode et une durée de cuisson différents au cours du processus de cuisson. Vous pouvez programmer votre menu personnalisé comme suit :

**Exemple : vous souhaitez cuire des aliments avec un micro-ondes 100P pendant 3 minutes, puis 20P pendant 9 minutes. Ceci est un réglage de 2 séquences.**

|     | Étapes  | Afficher    |
|-----|---|-------------|
| 1   | Micro-ondes 100P pendant 3min.  |             |
| 1.1 | Appuyez sur le bouton <b>Micro Power</b> pour sélectionner le niveau de puissance.          | <b>100P</b> |
| 1.2 | Tournez le bouton <b>Auto Cooking/Time.Weight</b> pour régler le temps de cuisson.          | <b>3:00</b> |
| 2   | 20P pour 9min.  |             |
| 2.1 | Appuyez sur le bouton <b>Micro Power</b> pour sélectionner le niveau de puissance souhaité. | <b>20P</b>  |
| 2.2 | Tournez le bouton <b>Auto Cooking/Time.Weight</b> pour régler le temps de cuisson.          | <b>9:00</b> |
| 3   | Lancez la cuisson en appuyant sur <b>Instant/Start</b> .                                    |             |

### ATTENTION

- Une fois la première sélection de cuisson terminée, la deuxième sélection commence automatiquement.
- Vous pouvez configurer jusqu'à quatre fonctions différentes en répétant les étapes.

## 9. SÉCURITÉ ENFANTS

À utiliser pour empêcher le fonctionnement sans surveillance du four à micro-ondes par les petits enfants ou lors du nettoyage. Tous les boutons sont rendus inutilisables dans ce mode.

- Activer le verrouillage --- En attente, appuyer sur le bouton **Stop/Clear** pendant 3 secondes.
- Annuler le verrouillage --- En mode verrouillé, appuyez sur le bouton **Stop/Clear** pendant 3 secondes.



## 10. RAPPEL AUTOMATIQUE

Lorsque votre procédure de cuisson pré-réglée est terminée, l'écran à LED indique **End** et trois bips sonores retentissent pour vous inviter à sortir des aliments. Si vous n'appuyez pas sur le bouton **Stop/Clear** une seule fois ou n'ouvrez pas la porte, le bip retentit toutes les 3 minutes.

## Conseils de cuisine

Les facteurs suivants peuvent affecter le résultat de la cuisson :

### Arrangement de nourriture

Placez les aliments plus épais vers l'extérieur du plat, la partie la plus fine vers le centre et étalez-les uniformément. Ne pas se chevaucher si possible.

### Durée de cuisson

Commencez la cuisson avec une courte durée, évaluez-la et prolongez-la en fonction des besoins. Plus de cuisson peut provoquer de la fumée et des brûlures.

### Cuire les aliments uniformément

Les aliments tels que le poulet, les hamburgers ou le steak doivent être retournés une fois pendant la cuisson. Selon le type d'aliment, le cas échéant, mélangez-le de l'extérieur au centre du plat, une ou deux fois pendant la cuisson.

### Autoriser le temps de repos

Une fois la cuisson terminée, laissez les aliments au four pendant une durée suffisante. Cela lui permet de terminer le cycle de cuisson et de le refroidir progressivement.

### Quand la nourriture est faite

La couleur et la dureté des aliments aident à déterminer si cela est fait, notamment :

- La vapeur qui sort de toutes les parties de la nourriture, pas seulement du bord.
- Les articulations de volaille peuvent être facilement déplacées.
- Le porc ou la volaille ne montre aucun signe de sang.
- Le poisson est opaque et peut être tranché facilement à la fourchette.

### Film mince pour micro-ondes

Lors de la cuisson d'aliments riches en matières grasses, ne laissez pas la pellicule plastique entrer en contact avec les aliments, car elle pourrait fondre.

### **Batterie de cuisine en plastique allant au micro-ondes**

Certains ustensiles de cuisson en plastique pouvant aller au four à micro-ondes pourraient ne pas convenir à la cuisson d'aliments riches en graisses et en sucre. De plus, le temps de préchauffage spécifié dans le manuel d'instructions de plat ne doit pas être dépassé.

## **Nettoyage et entretien**

Arrêtez le four a micro-ondes et débranchez la fiche du secteur.

**AVERTISSEMENT** : N'immergez jamais l'appareil ou son câble d'alimentation dans de l'eau ou dans tout autre liquide.

**AVERTISSEMENT** : N'utilisez jamais d'essence, de solvant, d'agents nettoyants abrasifs, d'objets métalliques ou de brosses dures pour nettoyer l'appareil.

### **Espace intérieur**

- Maintenez l'intérieur du four propre. Les éclaboussures et les liquides ayant débordé sur les parois du four peuvent être enlevés à l'aide d'un chiffon mouillé. Lorsque le four est très encrassé, on peut aussi se servir d'un détergent doux. Prière de ne pas utiliser des détergents agressifs.
- Essuyez la fenêtre à l'intérieur et à l'extérieur avec un chiffon mouillé et enlevez régulièrement les éclaboussures et les taches en provenance de liquides débordés.

### **Parois extérieures**

- Les parois extérieures du four ne doivent être nettoyées qu'avec un chiffon mouillé. Veillez à ce qu'il n'y a pas d'eau qui pénètre par les ouvertures dans le four.
- Veuillez n'utiliser qu'un chiffon mouillé pour le nettoyage du four. Pour nettoyer les touches des fonctions, ouvrez d'abord la porte du four a micro-ondes pour éviter une mise en marche intempestive de l'appareil.

### **Accessoires**

- Il convient de nettoyer occasionnellement l'assiette en verre à l'aide d'un liquide pour vaisselle ou dans le lave-vaisselle.
- Nettoyer régulièrement l'anneau de rotation et le fond à l'intérieur du four. Vous pouvez ôter l'anneau de rotation et le rincer à la main. Ici, vous pouvez utiliser un détergent doux ou un produit pour laver les vitres. Bien sécher après. Veillez à correctement remettre l'anneau après.

### **Odeur**

- Pour enlever les odeurs désagréables du four a microondes, placez une écuelle remplie d'eau et de jus de citron allant au four a micro-ondes dans le four et chauffez-la pendant env. 5 minutes. Essuyez ensuite le four avec un chiffon mouillé.

## Eclairage four

- Pour remplacer l'éclairage du four, veuillez-vous adresser a un magasin spécialisée près de chez vous.

## Rangement

- Si vous ne comptez pas utiliser votre appareil pendant un certain temps, veuillez le ranger soigneusement.
- Veuillez également à ce que l'appareil soit débranché, complètement refroidi et entièrement sec.
- Conservez l'appareil dans un endroit frais et sec.
- Tenez l'appareil hors de la portée des enfants.

## Dépannage

| Problème  | Raison éventuelle   | Solution  |
|---|---|---|
| <b>Le four ne démarre pas.</b>  | 1) Le cordon d'alimentation n'est pas correctement enfiché. | Débranchez. Branchez ensuite après 10 secondes.   |
|   | 2) Fusible grillé ou disjoncteur activé.                    | Remplacez le fusible ou le disjoncteur (réparé par un professionnel de notre entreprise). |
|   | 3) Problème avec la sortie.                                 | Testez la sortie avec d'autres appareils électriques.                                     |
| <b>Le four ne chauffe pas.</b>  | La porte n'est pas correctement fermée.                     | Fermez correctement la porte.   |
| <b>Le plateau tournant en verre fait du bruit lorsque le four est en marche</b> | Le plateau tournant et le bas du four sont sales.           | Reportez-vous à la section « Nettoyage et Entretien » pour le nettoyage des pièces sales. |

## Données techniques

|                               |               |
|-------------------------------|---------------|
| Modèle :                      | MW-80B.008A   |
| Alimentation :                | 230V~, 50Hz   |
| Consommation du Micro-ondes : | 1280W         |
| Puissance micro-ondes :       | 800W/2450 MHz |
| Volume du four :              | 23 litres     |
| Classe de protection :        | I             |
| Poids net :                   | 11,7kg        |

### Informations sur les fours à micro-ondes (groupe II, classe B selon EN 55011)

L'appareil génère des ondes électromagnétiques provoquant de fortes vibrations dans les molécules composantes les plats, principalement les molécules d'eau. La chaleur est la conséquence de ces vibrations. C'est pour cette raison que les aliments très liquides se réchauffent plus vite que les aliments relativement secs. La vaisselle n'est réchauffée qu'indirectement par le biais des aliments. Ce produit est un appareil ISM du groupe 2 classe B. Le groupe 2 comprend tous les appareils ISM (industriels, scientifiques et médicaux) dans lesquels un courant de radiofréquence est généré et/ou est utilisé pour le traitement de la matière sous forme d'émissions électromagnétiques, ainsi que les appareils d'électroérosion. La classe B concerne les appareils pour l'usage domestique ou les appareils raccordés aux réseaux électriques alimentant des bâtiments d'habitation.

## Déclaration de conformité

Cet appareil a été contrôlé d'après toutes les directives européennes actuelles applicables, comme par exemple concernant la compatibilité électromagnétique et la basse tension. Cet appareil a été fabriqué en respect des réglementations techniques de sécurité les plus récentes.

Cet appareil a été conçu, construit et mis sur le marché conformément aux :



- Objectifs de sécurité de la Directive Basse Tension 2014/35/EU ;
- Conditions requises en matière de protection de la Directive EMC 2014/30/EU.
- L'utilisation de certaines substances dangereuses dans les appareils électriques et électroniques conformes à la Directive RoHS (EU) 2015/863.

La sécurité électrique de l'appareil est garantie uniquement si celui-ci est correctement branché à une installation de mise à la terre performante et réglementaire.

## Élimination – La politique environnementale

Cet appareil a été fabriqué avec des matériaux recyclables.

**Cet appareil porte le symbole du recyclage conformément à la Directive Européenne 2012/19/EU concernant les Déchets d'Équipements Électriques et Électroniques (DEEE ou WEEE).**

En procédant correctement à la mise au rebut de cet appareil, vous contribuerez à empêcher toute conséquence nuisible pour l'environnement et la santé de l'homme.



Ce symbole présent sur l'appareil ou sur la documentation qui l'accompagne indique que ce produit ne peut en aucun cas être traité comme déchet ménager. Il doit plutôt être remis au point de collecte approprié pour le recyclage des équipements électriques et électroniques.

L'élimination doit être effectuée conformément aux règlements environnementaux locaux pour l'élimination des déchets. Remettez l'appareil à un dépotoir autorisé, ne pas laisser sans surveillance, même pour quelques jours, car il est potentiellement dangereux pour les enfants.

Pour des informations plus détaillées sur le traitement, la récupération et le recyclage de ce produit, s'il vous plaît contacter votre bureau compétent de votre commune, votre service d'élimination des déchets ménagers ou directement à votre revendeur où vous avez acheté le produit.

### Déclaration de garantie

Dans la mesure où les revendications concernent l'élimination de défauts (règlement légal), celles-ci sont à déposer auprès du partenaire contractuel (commerçant spécialisé). Au delà le distributeur fournit la garantie de fabricant suivante :

1. Pour cet appareil, le fabricant assure une garantie de 24 mois (\*) selon les conditions décrites ci-après, le début de garantie comptant à partir de la date d'achat auprès du commerçant qui doit être documentée par l'original de la facture ou toute autre preuve écrite.
2. Les droits de garantie sont à faire valoir auprès ou l'appareil a été acheté.
3. La garantie s'étend à la réparation de tous les dommages et vices de l'appareil résultant sans aucun doute de vices de matière ou de construction pendant la période de garantie.
4. Ne sont pas couverts par la garantie volontaire les dommages et défauts provoqués par un raccordement non approprié, une manipulation impropre, ainsi que le non-respect des directives de programmation et d'utilisation. La garantie volontaire ne prend pas en charge les travaux d'installation et de programmation effectués par le commerçant spécialisé. Le client ne dispose pas du droit à des travaux d'installation ou de programmation gratuits du commerçant spécialisé. La garantie volontaire n'englobe pas les défauts qui n'amoindrissent que peu la valeur ou la capacité de fonctionnement de l'appareil. D'autres coûts, comme par ex. ceux de l'installation et des déplacements, sont expressément exclus dans le cadre de la garantie volontaire.
5. Le distributeur a la possibilité, s'il le veut, de remplacer l'appareil défectueux par un appareil de même valeur au lieu de procéder à une réparation. D'autres droits de dommages et intérêts ne sont pas octroyés. Après réparation ou échange, les données sauvegardées dans l'appareil sont effacées.
6. Cette garantie volontaire ne s'applique pas lorsque des modifications ont été apportées au produit ou lorsque le produit est utilisé dans un pays pour lequel il n'a pas été conçu et fabriqué.
7. La garantie volontaire sera seulement applicable si l'appareil, entièrement emballé contre bris et coups (si possible dans l'emballage d'origine), est envoyé au distributeur avec la justification de garantie.
8. Si le contrôle révèle que le cas est hors garantie ou que le produit n'a pas de défaut, c'est à l'utilisateur de supporter les coûts de réparation et de vérification. Le commerçant spécialisé se chargeant de ce droit ressortant de la garantie volontaire a le droit de facturer ces frais.
9. Toute prestation ressortant de la garantie volontaire n'implique ni le prolongement des délais de garantie ni ne met-elle en œuvre un nouveau délai pour la garantie volontaire.
10. Les droits de garantie légaux du client final ne sont ni exclus ni restreints par cette déclaration de garantie du fabricant.

Le client bénéficie de toutes les garanties prévues par la directive 1999/44/CE du Parlement européen et du Conseil du 25 Mai.

(\*) Seulement pour les pays de l'Union Européen

---

---

# HÆGER

---

Meet the family



**HAEGERTEC, s.a.**

Edifício HÆGER – Pct. Cidade de Londres, 1  
Parque Industrial do Arneiro  
2660-456 S. Julião do Tojal  
PORTUGAL  
<http://www.haeger.pt>

Tel: +351 21 949 83 00 (Geral)  
Tel: +351 21 949 83 02 (Pós-Venda)  
Fax: +351 21 949 83 25  
e-mail: [assistencia@haeger.pt](mailto:assistencia@haeger.pt)  
e-mail: [comercial@haeger.pt](mailto:comercial@haeger.pt)

