

Fridge Freezer
Frigorífico Combinado

Frigorífico Combinado
Réfrigérateur Combiné

NORTH POLE – 320 COMBI

CR-32W.016A (White) * CR-32S.017A



Download
Multi-language file



User instructions / Instruções de uso
Instrucciones de uso / Mode d'emploi

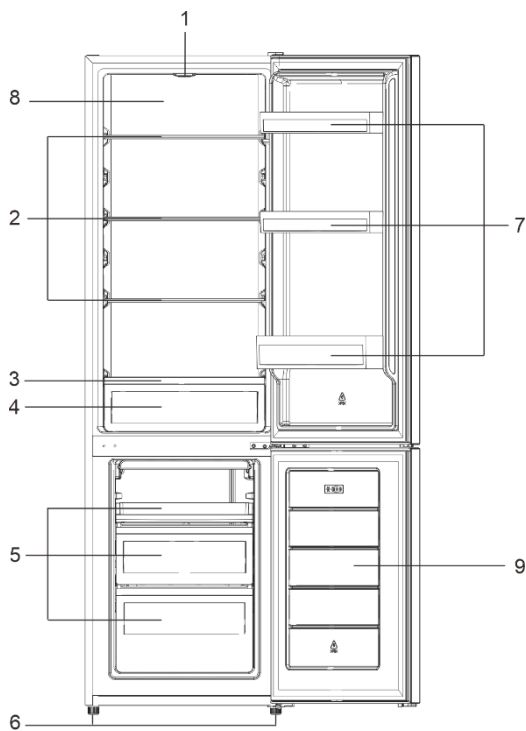


Fig.1

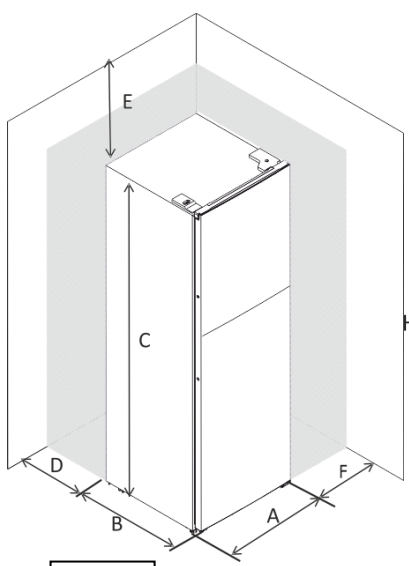


Fig.2

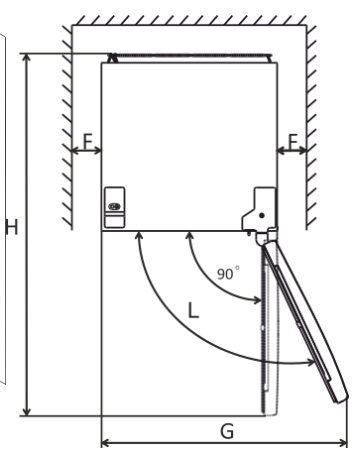
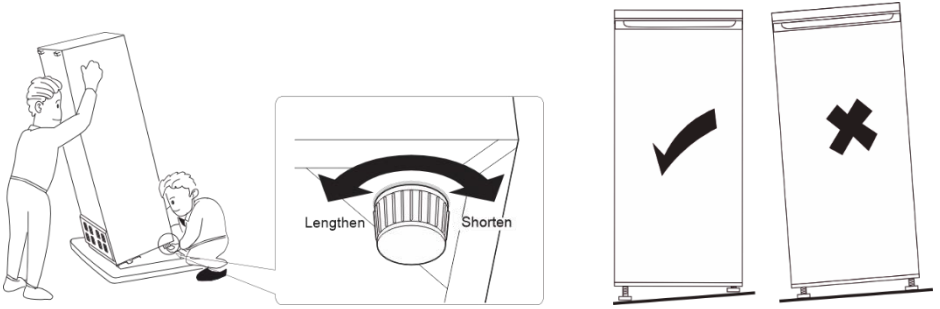


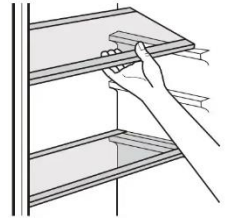
Fig.3

A	600
B	605
C	1858
D	min=50
E	min=50
F	min=50
G	1195
H	1215
L	135°

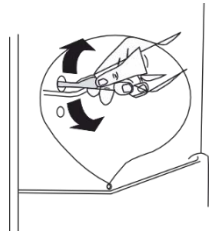
A. Levelling / Nivelamento / Nivelación / Nivellement



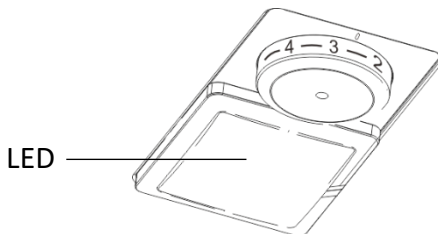
B. Movable shelves / Prateleiras móveis / Estantes móviles / Étagères mobiles



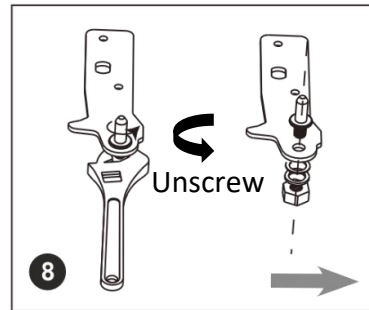
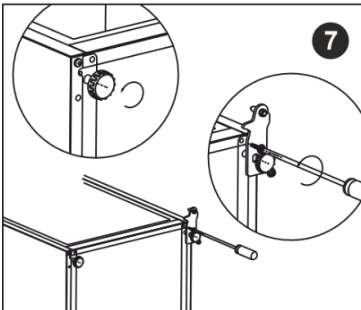
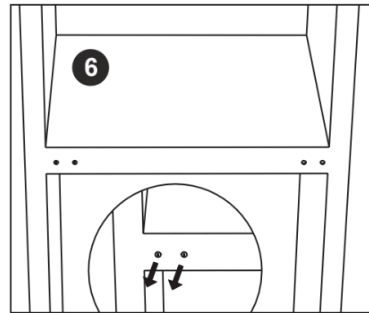
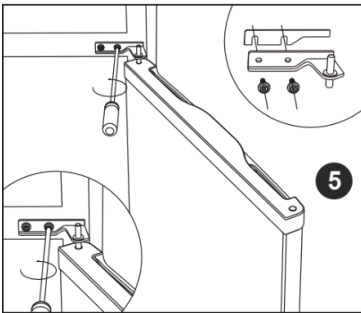
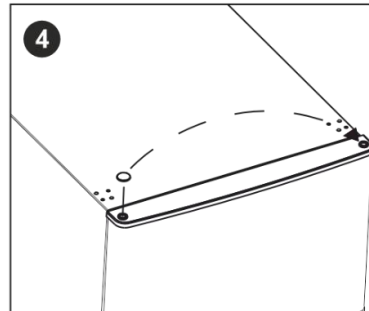
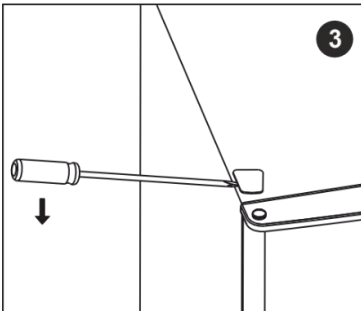
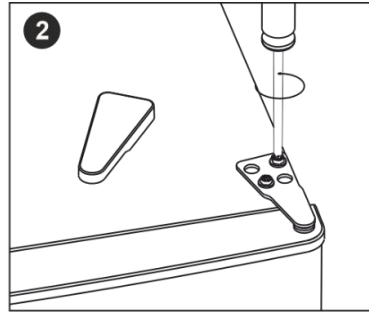
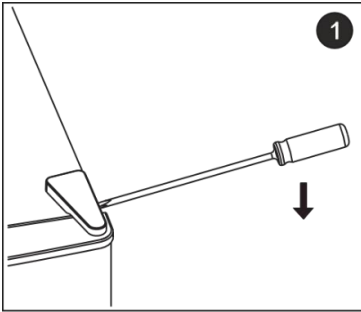
C. Clean drain hole / Limpe o orifício de drenagem / Limpiar el orificio de drenaje / Nettoyer le trou de vidange

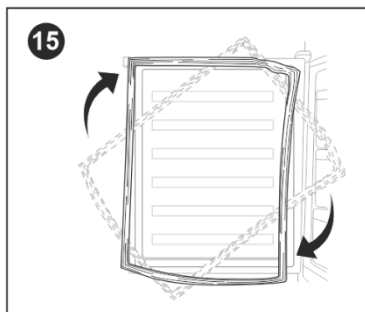
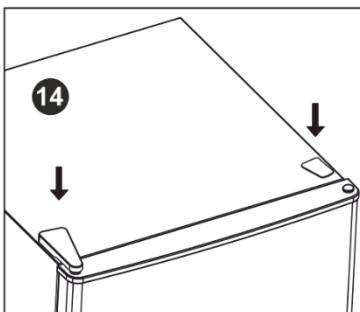
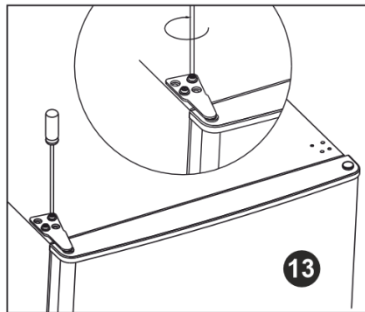
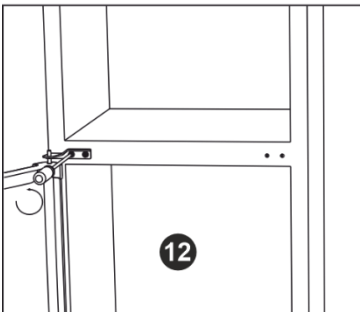
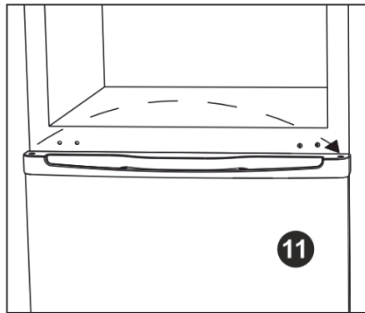
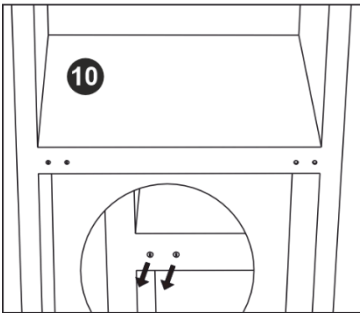
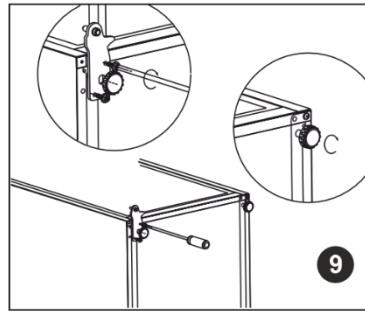
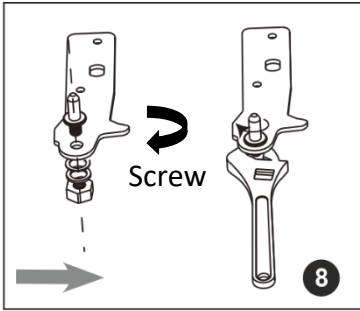


D. Replacing the lamp / Substituir a lâmpada / Sustitución de la lámpara / Remplacement de la lampe (*)



E. Reversing door / Porta reversível / Puerta reversible / Porte réversible





WARNING

This appliance is intended to be used in household and similar applications such as staff kitchen areas in shop, offices and other working environments; farm houses and by guests in hotels, motels and other residential environments; bed and breakfast type environments; catering and similar non-retail applications.

If the supply cord is damaged, it must be replaced by the manufacturer, its service agent or similarly qualified persons in order to avoid a hazard.

Do not store explosive substances such as aerosol cans with a flammable propellant in this appliance. The appliance has to be unplugged after use and before carrying out user maintenance on the appliance.

Warning: Keep ventilation openings, in the appliance enclosure or in the built-in structure, clear of obstruction.

Warning: Do not use mechanical devices or other means to accelerate the defrosting process, other than those recommended by the manufacturer.

Warning: Do not damage the refrigerator circuit.

Warning: Do not use other electrical appliances (such as ice cream makers) inside of the refrigerating appliances, unless they are approved for this purpose by the manufacturer.

Warning: Please dispose the refrigerator according to local regulations because it uses flammable blowing gas and refrigerator.

Warning: When positioning the appliance, ensure the supply cord is not trapped or damaged.

Warning: Do not locate multiple portable socket-outlets or portable power supplies at the rear of the appliance.

Do not use extension cord or ungrounded (two prong) adapters.

Danger: Risk of child entrapment. Before you throw away your old refrigerator or freezer:

- Take off the doors.
- Leave the shelves in place so that children may not easily climb inside.

The refrigerator must be disconnected from the source of electrical supply before attempting the installation of accessory.

Refrigerant and cyclopentane foaming material used for refrigerator are flammable. Therefore, when the refrigerator is scrapped, it shall be kept away from any fire source and be recovered by a special recovering company with corresponding qualification other than be disposed by combustion, so as to prevent damage to the environment or any other harm.

This appliance can be used by children aged from 8 years and above and people with impaired physical, sensory or mental abilities or with a lack of experience and knowledge provided that they are supervised or have received instruction in the safe use of this device, and about the resulting hazards. Cleaning and user maintenance shall not be made by children without supervision. Children aged from 3 to 8 years are allowed to load and unload appliance.

Children should be supervised to ensure that they do not play with the appliance. Children below the age of 3 must be kept away from the appliance unless they are under continuous adult supervision.

To avoid contamination of food, please respect the following instructions:

- Opening the door for long periods can cause a significant increase of the temperature in the compartments of the appliance.
- Clean regularly surfaces that can come in contact with food and accessible drainage systems.
- Store raw meat and fish in suitable containers in the refrigerator, so that it is not in contact with or drip onto other food.
- Two -** star frozen-food compartments are suitable for storing pre-frozen food, storing or making ice cream and making ice cubes.
- One -*-, two -** and three-star -***- compartments are not suitable for the freezing of fresh food.
- If the refrigerating appliance is left empty for long periods, switch off, defrost, clean, dry, and leave the door open to prevent mould developing within the appliance.



Warning: Risk of fire / flammable materials

Dear customer

Thank you for having chosen a HÆGER product.

The HÆGER products have been produced to think about the welfare of the consumer privileging the most raised standards of quality, functionality and assign. We are sure you will be happy with this appliance.

Your new appliance is designed exclusively for domestic use.

To ensure best use of your appliance, carefully read the instructions handbook which contains a description of the appliance and advice on storing and preserving food.

Keep this handbook for future reference and pass them on to whoever might acquire the appliance at a future date.

Before using the appliance

1. After unpacking, make sure that the appliance is undamaged and that the door closes properly. Any damage must be reported to your dealer within 24 hours after delivery of the appliance.
2. Wait at least two hours before switching the appliance on in order to ensure the refrigerant circuit is fully efficient.
3. Installation of the appliance and electrical connections must be carried out by a qualified electrician, in accordance with the manufacturer's instructions and local safety regulations
4. Clean the inside of the appliance before using it.

Special Instructions

If this appliance is to replace an old refrigerator with a lock, break or remove the lock as safety measure before storing it, to protect children while playing might lock them inside.

Old refrigerators and freezers contain insulation gases and refrigerant, which must be disposed of properly. Please ensure that the refrigeration tubing is not damaged.



Warning: This refrigerator contains isobutane (R600a); this refrigerant gas is CFC-free but combustible. When transporting, installing, cleaning and repairing the refrigerator, take care not to damage any parts of the refrigeration circuit to prevent the risk of gas leaks. In case of damage, do not use naked lights and ventilate the room containing the appliance appropriately.

Safety Precautions

The manufacturer declines all responsibility in case of failure to comply with the following precautions:

- Never put a damaged appliance into operation, if in doubt, contact your dealer.
- The appliance must be installed and connected to the electrical mains in full compliance with the instructions provided in the handbook. The electrical connection conditions must be as

specified on the nameplate. The appliance's electrical safety is only guaranteed if the household electrical system is earthed in accordance with the relevant regulations.

- Make sure that all repairs and servicing are only carried out by a qualified technician. Always disconnect the appliance from the electrical mains in case of breakdown and maintenance, when changing light-bulbs or during cleaning. Never defrost using electrical devices or steam cleaners. Never remove frost or ice with sharp items, as this may cause irreparable damage to the walls of the refrigerator.
- Never attempt to move the refrigerator by pulling on the door or the handle.
- High-alcohol drinks must only be stored sealed and vertical. Never store liquids in cans or glass containers in the freezer compartment, especially if they contain added carbon dioxide. Never store products containing gases, flammable propellants or explosive substances in the freezer. There is always explosion hazard!
- The use of electrical appliances (such as ice-cream makers or whisks) inside the appliance is forbidden.
- To ensure the refrigerator operates correctly, never obstruct or cover the air ducts in any way.
- Never touch frozen products taken straight from the freezer or put them in your mouth. There is burn hazard due to the very low temperatures.
- Never eat or drink foods which look or smell strange.
- **This appliance can be used by children aged from 8 years and above and persons with reduced physical, sensory or mental capabilities or lack of experience and knowledge if they have been given supervision or instruction concerning use of the appliance in a safe way and understand the hazards involved. Children shall not play with the appliance. Cleaning and user maintenance shall not be made by children unless they are older 8 years and supervised.**
- In case of electricity blackout, open the door(s) as little as possible. Once partly or completely thawed, frozen foods must not be re-frozen.

Intended use

The appliance is specifically constructed for domestic use and is therefore suitable for the refrigeration and storage of fresh and frozen foods and the production of ice-cubes. The appliance has not been designed or manufactured for professional use. The manufacturer declines all responsibility for damage deriving from improper use of the appliance. The refrigerator has undergone the necessary tests on the tightness of the refrigeration circuit and complies with the safety regulations for electrical appliances.



Warning: *The manufacturer declines all responsibility for injury or damage caused by failure to comply with the above regulations or deriving from tampering with even just one part of the appliance and the use of non-original spare parts.*

Installation and connection

Choosing the site

- Always place the refrigerator in a dry place with satisfactory ventilation. Never expose it to direct sunlight or install it outdoors. Depending on its climate class (stated on the nameplate inside the refrigerator compartment), the appliance can be used in different temperature conditions:

Class	Ambient temperature
SN (Subnormal)	from +10 °C to +32 °C
N (Normal)	from +16 °C to +32 °C
ST (Subtropical)	from +16 °C to +38 °C
T (Tropical)	from +16 °C to +43 °C

- Never place the refrigerator close to heat sources. If this is unavoidable, a suitable insulating panel must be used to allow the appliance to function properly. Otherwise, place the appliance at least 3 cm from electric or gas cookers and at least 30 cm from combustion or radiation heating systems.
- To allow proper cooling of the condenser, the refrigerator must not be placed too close to the wall. If the refrigerator is installed underneath a wall cupboard, the distance between the two must be at least 5 cm.
- Take care not to scratch or damage the floor when installing the appliance on parquet or linoleum. If necessary, when positioning slide the refrigerator over pieces of wood or a mat to the point decided for connection to the electrical mains.

Positioning and levelling the appliance (Fig.2 & 3 & Section A)

Place the fridge on a stable and level floor. In case the floor is not perfectly level, use the two adjustable feet on the front part of the fridge. To ensure major stability, easier movement and a correct positioning of the product, two additional wheels are present at the rear. In any case we recommend moving the fridge very carefully in order to avoid floor damage (especially in case of wooden floor).

Electrical connection

Before switching the refrigerator on for the first time, leave it vertical for at least two hours. Then connect the appliance's power supply plug to a mains socket with earth contact, installed in accordance with electrical safety regulations. The rated voltage and frequency are stated on the nameplate. The appliance must be connected to the electrical mains and earthed in compliance with the relevant regulations and requirements. The appliance is able to withstand short fluctuations in voltage of no more than 15% less or 10% more than the rated voltage stated on the nameplate. If the power supply lead has to be replaced, this operation must only be carried out by a qualified technician. The socket must be accessible after the appliance has been placed.

Product Description (Fig.1)

1. Thermostat & LED lamp	2. Fridge glass shelves
3. Shelf for Vegetable & Fruit box	4. Vegetable & Fruit box
5. Freezer Drawer	6. Adjustable Legs
7. Door shelves	8. Fridge Chamber
9. Door freezer chamber	

Shelves (Glass rack) (Section B)

Each refrigerator comes complete with several shelves which can be set at different heights by placing them on the runners provided. Each shelf has a safety fitting to prevent it from being pulled completely out or accidentally removed. To remove it from the appliance, lift it at the back and extract it. Then change the position of the shelf or shelves as you require. For easy removal of all internal accessories, the door has to be opened completely.

Refrigerator compartment defrosting water drain (Section C)

The rear of the refrigerator compartment, underneath the refrigerating plate, has a channel and a hole for collecting the defrosting water. To ensure the refrigerator can function properly, take care never to block this hole. It is best to check and clean it fairly regularly using a piece of stiff wire.

Fruit and vegetable box

This container is at the bottom of the refrigerator compartment, which is fitted with a glass shelf to cover fresh foods that require constant humidity for optimum storage.

Door shelves and containers

The inside of the door is fitted with special shelves and boxes to take eggs, butter, dairy products, tubes, preserves and other small packages. The bottom of the door has a shelf to take vertical bottles.

All door shelves and boxes can be removed for cleaning. To remove the shelves, tap upward with your hand first, on one side of the insertion zone and then on the other side. Do not place excessively heavy bottles on the bottle shelf. Place bottles on the shelf gently when loading them. When removing bottles do not pull them in a diagonal direction as this may over-strain the retainer rod.

Inside lighting

When the refrigerator door is opened, the light comes on; it remains on until the door is completely closed again. The light comes on even if the refrigerator thermostat is set on "0" (stop), meaning that the refrigerator is switched off.

Arranging foods inside the refrigerator compartment

- Arrange the foods on the various shelves, taking care that they have an airtight wrapping or cover. This precaution will:
 - conserve foods' fragrance, moisture and freshness;
 - prevent the cross-contamination of foods with different aromas and tastes;
 - prevent the humidity level inside the refrigerator becoming too high because of the normal breathing of food (especially fresh fruit and vegetables). In some operating conditions (rise in ambient temperature and humidity, more frequent opening of the door) this might cause condensation to form on the shelves.
- Use only containers approved for food storage. Always allow hot foods and drinks to cool to room temperature before placing them inside the refrigerator.
- Never store explosive substances in the appliance and only store high-alcohol drinks firmly sealed and vertical.

Operating the appliance (daily use)

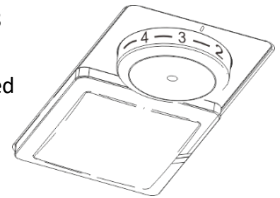
Switching on the appliance

- Allow the appliance to stand upright for a minimum of 4 hours before you switch it on.
- Plug in the appliance and switch on at the mains supply.
- Set the thermostat control to the required setting as detailed in the Temperature Control section.
- Leave the appliance for approximately 4 hours for the correct temperature to be reached.

Temperature setting

The internal temperature is controlled by a thermostat. There are 8 settings.

- When the knob is turned to **0** ("stop"), the appliance is switched off.
- The operating settings are from **1** to **7**. **1** is warmest setting and **7** is coldest setting.
- The appliance may not operate at the correct temperature if it is in a particularly hot or if you open the door often.
- Recommended setting for fridge compartment:
Warm: 2-4 Normal: 4 Cold: 4-6
- There is no direct correspondence between the setting chosen and the temperature in the two sections of the appliance. Increasing the setting number reduces the temperature inside the appliance. Only use the highest setting 7 if absolutely necessary: with this setting, the temperatures inside the refrigerator compartment may be close to 0°C and in the 4-star compartments -18°C. The electricity consumption will be higher. In normal operating conditions, a medium-low setting (2-4) is recommended. This will provide effective storage of the fresh foods in the refrigerator compartment and of the frozen foods in the freezer compartment.





Important: *Changes in weather conditions (temperature and humidity) and the frequency with which the doors of the two separate compartments are opened may affect the refrigerator's operating temperatures.*

Storing & Freezing food in the freezer

- This appliance has three 4-star freezer compartments that is suitable for the long-term storage of frozen food items. It can also be used for freezing and storing fresh food items.
- For proper storage and freezing, fruit and vegetables should be packed in portions of not more than 1 kg and meat and fish up to a max. of 2kg. Small packages of food freeze more quickly, giving better conservation of their nutrients and flavour, even after thawing and preparation.
- Use only freezer bags, aluminium film, food-approved polyethylene film and freezer containers. Do not use paper bags, non-food approved cellophane bags, shopping bags or used freezer bags.
- Pack foods in airtight packs and try to expel all the air. If using bags, close the packs with the elastic bands or plastic-coated wire strips provided.
- Always cool hot foods to room temperature before placing them in the freezer and do not allow frozen foods to touch fresh foods for freezing.
- Always mark packs with the date of freezing, quantity and type of food and make sure that foods are fresh and in good condition.

Storing frozen foods

- When purchasing frozen foods, always take care that the pack is not damaged, that the product is not past its sell-by date and that the thermometer of the freezer in which the products are displayed for sale does not show a temperature above -18°C. Also note the temperature advice, storage period and modes of consumption stated by the producer.
- Purchased foods should also be protected using suitable insulated containers during transportation to eliminate the risk of thawing. An increase in temperature might reduce their storage life and adversely affect their quality.
- Do not purchase frozen foods which are carrying too much frost; they might already have been thawed.

Thawing frozen foods

- Partially thawed foods should be eaten as soon as possible. Low temperatures preserve foods, but they do not destroy the micro-organisms which are activated after thawing, which may cause the stored foods to deteriorate. If thawed foods smell and look normal, they can be cooked and if required re-frozen once they have cooled.
- Depending on their type and intended use, frozen foods can be thawed correctly at room temperature, in the refrigerator, in an electric oven (conventional or fan), or in a microwave oven using the relevant function.

Making ice-cubes

Fill the tray provided 2/3 full of water or any other liquid you wish to freeze. Place it in the freezer compartment, making sure that its bottom is dry so that it will not stick to the shelf of the compartment. To detach the ice-cubes, twist the tray slightly or place it under running water for a few seconds.

Maintenance and Cleaning

Defrosting the refrigerator compartment

The refrigerator compartment has automatic defrosting. During normal operation of the refrigerator, frost forms on its back wall when the compressor is working and dissolves when it is not in operation. When the compressor is not working, the frost which has built up on the back-wall melts and the water flows into the opening provided in the bottom of the body of the refrigerator. From here, it flows into the tray on the compressor, where it evaporates.



Warning: *the amount of ice which forms on the back wall may vary with changes in weather conditions (temperature and humidity), the frequency with which the door is opened, the appliance's operating temperatures and the quantity of fresh foods stored inside (especially fruit and vegetables).*

Defrosting the freezer

The freezer compartment must be defrosted manually. When the thickness of frost or ice on the shelves exceeds 2 cm, the freezer should be defrosted. A few hours before defrosting, use the knob provided to set the thermostat on 7 to further lower the temperature of the frozen foods. Then turn the knob to the 0 (stop) setting and disconnect the plug from the electrical mains. Remove the frozen foods from the freezer compartment and protect them from thawing while cleaning.

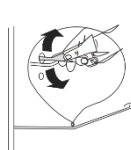
Cleaning the refrigerator

For hygienic reasons the appliance interior, including interior accessories, should be cleaned regularly.

- Before cleaning, disconnect the plug from the electrical mains. Clean the outside using only water and a gentle liquid detergent or an ordinary detergent for washable surfaces (such as a window-cleaning product). Never use products containing abrasives or substances which may attack the lacquered or painted parts, acids or chemical solvents. Use a sponge or a soft cloth.
- Do not use steam cleaners to clean the inside;
- Remove the shelves and accessories, taking care not to apply excessive force when removing. Never wash removable plastic parts in the dishwasher; use only warm water and washing-up liquid or water and vinegar. Take care not to wet the electrical lighting components with water or detergents.
- Clean the gaskets with warm water and then dry.
- To allow the refrigerator to operate at full efficiency, periodically also clean the condenser on the rear with a brush or a vacuum cleaner.
- Also make a periodic check on the tray above the compressor and clean it if necessary.

Clean drain hole

To avoid defrost water overflowing into the fridge, periodically clean the drain hole at back of fridge compartment. Use a cleaner to clean the hole as showed in right picture.



Switching off the refrigerator

If the refrigerator is to be out of use for some time, turn the thermostat knob to 0 (stop). Then empty the compartments, disconnect the appliance from the electrical mains, and once it has defrosted dry any residual moisture which has collected. Leave the door ajar to prevent the humidity and trapped air from creating unpleasant smells.

Replacing the refrigerator lamp (Section D) (*)

(*) The internal light is a LED type. To replace the lamp, please contact qualified technician.

Reverse the door (E)

Tool required: Phillips screwdriver, flathead screwdriver, and an adjustable wrench or spanner.

- Ensure the unit is unplugged and empty.
- To take the door off, it is necessary to tilt the unit backwards. You should rest the unit on something solid so that it will not slip during the door reversing process.
- All parts removed must be saved to do the reinstallation of the door.
- Do not lay the unit flat as this may damage the coolant system.
- It's better that 2 people handle the unit during assembly.

Follow the images on section E – Reverting door

1. Carefully remove the top hinge cover with a flat screw driver.
2. Unscrew the top hinge with a Philips screw driver.
3. Remove the hole cover with a flat screw driver.
4. Move the core cover from left side to right side. And then lift the upper door and place it on a padded surface to prevent it from scratching.
5. Unscrew the middle hinge and then lift the bottom door and put it on a soft pad to avoid scratch.
6. Move two middle hole covers from left to right.
7. Lie down the rear of cabinet on a soft pad. And unscrew the bottom hinge and levelling foot.
8. Unscrew and remove the bottom hinge pin, turn the bracket over and replace it.
9. Install the hinge at left side and foot base at right side. Then screw two levelling feet with their original parts.
10. Move two middle hole covers from left to right.
11. Stand up the unit and put the door on the bottom hinge. Make sure the bottom hinge core is inserted in the door hole. Then move the hinge hole cover of bottom door from left side to right side.
12. Install the middle hinge.

13. Install the upper door with the upper hinge.
14. Clap in the hinge cover and hole cover on the top of unit.
15. Detach the Fridge and the Freezer door gaskets and then attach them after rotating.

Practical advice for saving energy

- Install the refrigerator in a cool, well-ventilated place, protected against direct sunlight and well away from heat sources.
- Do not place hot foods in the refrigerator or freezer sections. Wait for foods and drinks to cool to room temperature before placing them on the shelves;
- Open the door(s) as infrequently and for as short a time as possible to prevent the compartments from warming up too much;
- Clean the condenser (rear of the refrigerator) periodically to prevent the appliance from losing efficiency;
- If the refrigerator is to be out of use for a long period, it is best to empty it and switch it off;
- Thaw frozen foods in the body of the refrigerator to exploit the cold stored in the frozen foods, which will be transferred to the refrigerator if this procedure is used.

Operating noise

- The refrigerator and freezer are cooled by means of a compression system. To maintain the pre-set temperature inside the refrigerator and freezer sections, the compressor comes into operation in response to the level of cooling required and may operate continuously if necessary. When the compressor starts up a humming sound will be heard, tending to drop in volume after a few minutes.
- Another normal refrigerator operating noise is a gurgling due to the coolant flowing through the pipes in the circuit. This noise is perfectly normal and does not mean that the appliance is malfunctioning. If it is over-loud, there may be other causes. In this case, check that:
 - the refrigerator is properly levelled on the floor and does not vibrate when the compressor is in operation: adjust the feet provided as appropriate;
 - The drawers, shelves and door boxes are correctly fitted and securely in place: fit correctly;
 - Bottles and containers on the various shelves are stable and not touching: the vibration due to operation of the compressor may generate some noise;
 - Do not place kitchen units or other appliances so that they are touching the refrigerator.

Troubleshooting Guide


Caution! Before troubleshooting, disconnect the power supply. Only a qualified electrician or competent person must do the troubleshooting that is not in this manual.
Important! There are some sounds during normal use (compressor, refrigerant circulation).

Problem	Possible Cause	Solution
Appliance does not work.	Temperature regulation knob is set at number "0".	Set the knob at other number to switch on the appliance.
	Mains plug is not plugged in or is loose.	Insert mains plug.
	Fuse has blown or is defective.	Check fuse, replace if necessary.
	Socket is defective.	Mains malfunctions are to be corrected by an electrician.
The food is too warm.	Temperature is not properly adjusted.	Please look in the initial Temperature Setting section.
	Door was open for an extended period.	Open the door only as long as necessary.
	A large quantity of warm food was placed in the appliance within the last 24 hours.	Turn the temperature regulation to a colder setting temporarily.
	The appliance is near a heat source.	Please look in the installation location section.
Appliance cools too much.	Temperature is set too cold.	Turn the temperature regulation knob to a warmer setting temporarily.
Unusual noises.	Appliance is not level.	Re-adjust the feet.
	The appliance is touching the wall or other objects.	Move the appliance slightly.
	A component, e.g., a pipe, on the rear of the appliance is touching another part of the appliance or the wall.	If necessary, carefully bend the component out of the way.
Water on the floor.	Water drain hole is blocked.	See the Cleaning section.
Side panel is hot.	Condenser is inside the panel.	It's normal.



This product is a household fridge. According to the national regulation, household fridge can only be suitable to store food, and can't be used to store other items such as blood, drug, and biological product and so on.

Technical data

Reference	CR-32W.016A / CR-32S.017A
Supply Voltage / Protection class	220-240 V~ 50Hz / I
Rated current / Rated Power	0.70A / 100W
Maximum LED Lamp Power	1 W
Refrigerant/Amount	R600a / 68g
Insulation blowing gas	C5H10
Energy Class (1)	E (EEI% = 100)
Annual energy consumption	234,0kWh/a
Energy consumption E16 (2)	0.337kWh/24h
Energy consumption E32 (2)	0.933kWh/24h
Temperature rise time	14h
Total storage volume	315 L
Refrigerator (fresh food)	219 L
Freezer (4-star)	96 L
Star rating	
Freezing capacity	4.4kg/24h
Defrosting type (Fresh food / 4-star)	(Automatic / Manual)
Climate Class (Ambient range)	N/ST (+16°C a +38°C)
Airborne acoustical noise emissions [dB (A) re 1pW]	40 dB
Airborne acoustical noise emissions class	C
Net weight / Gross weight	58kg/64kg
Overall dimensions (H x W x D)	1858 x 600 x 605 (mm)
(1) Energy class: A.....G (A=economical...G=less economical)	
(2) The real energy consumption depends on conditions and appliance location.	

(*) **This product contains a light source of energy efficiency class G.**

Declaration of Conformity

This appliance is intended for storing food and is manufactured in conformity with European Directives and European regulation (EC) 1935/2004.

This product has been designed, manufactured and marked in compliance with:



- the safety objectives of Low voltage Directive 2014/35/EU;
- the protection requirements of EMC Directive 2014/30/EU;
- Plastic materials and articles intended to come into contact with food – Commission Regulation (EU) 10/2011;
- Commission Delegated Regulation (EU) 2019/2016 & Commission Regulation (EU) 2019/2019.

The electrical safety of the appliance is guaranteed only if it is connected to an efficient and approved earthing system.

Disposal – Environment policy

Packing



The packaging material is entirely recyclable and marked with the recycling symbol. Follow local regulations for scrapping. Keep the packaging materials (plastic bags, polystyrene parts, etc.) out of reach of children, as they are potentially dangerous.

Disposal

The appliance is manufactured using recyclable material.

This appliance is marked according to the European directive 2012/19/EU on Waste Electrical and Electronic Equipment (WEEE).

By ensuring this product is disposed of correctly, you will help prevent potential negative consequences for the environment and human health, which could otherwise be caused by inappropriate waste handling of this product.



This symbol on the product, or on the documents accompanying the product, indicates that this appliance may not be treated as household waste. Instead, it shall be handed over to the applicable collection point for the recycling of electrical and electronic equipment.

Before disposal, make the appliance unusable by cutting off the power cable and removing the doors and shelves so that children cannot easily climb inside the appliance.

Disposal must be carried out in accordance with local environmental regulations for waste disposal. Deliver the appliance immediately to an authorized dump; do not leave it unattended even for a few days, since it is potentially dangerous for children.

For more detailed information about treatment, recovery and recycling of this product, please contact your local city office, your household waste disposal service or the shop where you purchased the product.

Warranty Declaration

Warranty Terms and Conditions

1. The product is guaranteed for the period stipulated by the legislation where it is placed on the market, starting from the date of purchase, against manufacturing defects and/or workmanship. The lack of conformity manifested in this period is presumed to exist at the date of purchase. After this period, it is for the customer to prove that the lack of conformity already existed at the time of delivery.
2. If, during the warranty period, the product is defective in normal use, the buyer should contact the selling establishment and send the appliance to the place indicated by the seller.
3. The warranty is only valid upon presentation of the invoice proving the purchase and the completed warranty certificate (indicating the date of purchase, the name of the dealer, the reference of the model, and it is also recommended to indicate the serial number and lot number).
4. The importer/seller reserves the right to refuse warranty assistance in the event that such information has been deleted or altered after the original purchase of the product.

5. The responsibility of the importer/seller includes in particular the costs of repairing and/or replacing the unit covered by the warranty with the reservation of the right to replace it with an equivalent product, in cases where it is not possible to repair it.
6. The warranty does not apply to problems that are not directly related to defects in material, design or workmanship.
7. This product is an appliance and is intended for home use only. The warranty will be void if the product is used for professional purposes.
8. The warranty does not cover damage caused by misuse, improper installation, spillage, external factors, or intentional damage.
9. The warranty does not cover damage resulting from falls, use of excessive force, blows, exposure to extreme environmental conditions or deterioration caused by the normal use of plastic parts or keyboards, as well as the use of batteries other than those specified in this manual.
10. The warranty does not cover installation and programming by the dealer. In particular, no claim for installation and free programming by the reseller may be accepted.
11. The warranty does not cover deficiencies that insignificantly impair the operation of the appliance. Other costs, such as installation, transportation and travel of the technician are expressly excluded from the warranty.
12. The applicability of the warranty presupposes that the appliance is sent to the seller or place indicated by him, complete and in well-protected packaging (if possible, in its original packaging) and accompanied by its sheet or warranty card duly filled out and proof of purchase.
13. If after verification, it is found that there are no reasons for the claim, or that the product is not defective, the inherent costs will be imputed to the customer, and the dealer is authorized to charge those costs to the customer.
14. The warranty will be void when it shows signs that an unauthorized person has attempted to carry out repairs, modifications or replacement of parts on the appliance.
15. Repairs carried out after the end of the warranty period are subject to costs.
16. This warranty does not affect your legal rights that you may have as a consumer under applicable national law governing the purchase of products where the product is sold.
17. **Warranty Period:**

European Union countries - European Directives (EU) 2019/771 and (EU) 2019/770 apply on certain aspects of contracts for the purchase and sale of movable property and transposed into the national laws of their countries.

Other countries - national legislation on consumer rights in their country applies. In the case of no official legislation, the guarantee shall be applied at the discretion of the importer placing the product on the market or the seller establishment.

ADVERTÊNCIA

Este aparelho destina-se a ser utilizado em aplicações domésticas e similares, tais como áreas de cozinha do pessoal em lojas, escritórios e outros ambientes de trabalho; casas de quinta e por hóspedes em hotéis, motéis e outros ambientes residenciais; ambientes tipo cama e pequeno-almoço; catering e aplicações similares que não se destinem a venda ao público.

Se o cabo de alimentação estiver danificado, deve ser substituído pelo fabricante, seu agente de serviço ou pessoas com qualificações semelhantes, a fim de evitar um risco.

Não guarde substâncias explosivas, como latas de aerossol com um propelente inflamável neste aparelho. O aparelho deve ser desligado após o uso e antes de realizar a manutenção no aparelho.

Atenção: Mantenha as aberturas de ventilação, na caixa do aparelho ou na estrutura embutida, sem obstruções.

Advertência: Não use dispositivos mecânicos ou outros meios para acelerar o processo de descongelamento, além daqueles recomendados pelo fabricante.

Aviso: Não danifique o circuito de refrigeração.

Aviso: Não utilize outros aparelhos elétricos (como máquinas de fazer gelados) dentro dos aparelhos de refrigeração, a não ser que tenham sido aprovados para esse efeito pelo fabricante.

Aviso: Elimine o frigorífico de acordo com os regulamentos locais, pois utiliza gás de sopro inflamável.

Advertência: Ao posicionar o aparelho, certifique-se de que o cabo de alimentação não fique preso ou danificado.

Aviso: Não coloque várias tomadas portáteis ou fontes de alimentação portáteis na parte traseira do dispositivo. Não use cabos de extensão ou adaptadores não aterrados (dois pinos).

Perigo: Risco de aprisionamento de crianças. Antes de deitar fora o seu antigo frigorífico ou congelador:

- Retire as portas.
- Deixe as prateleiras no lugar para que as crianças não possam aceder facilmente ao interior.

O frigorífico deve ser desligado da fonte de alimentação elétrica antes de tentar a instalação do acessório.

O gás refrigerante e a espuma Ciclopentano usados no frigorífico são materiais inflamáveis. Portanto, quando o refrigerador é descartado, o mesmo deve ser mantido longe de qualquer fonte de incêndio e ser recuperado por uma empresa recuperadora especial com qualificações correspondentes que não sejam descartadas por combustão, de modo a evitar danos ao meio ambiente ou qualquer outro dano.

Este aparelho pode ser utilizado por crianças com idade igual ou superior a 8 anos e pessoas com capacidades físicas, sensoriais ou mentais debilitadas ou com falta de experiência e conhecimento desde que sejam supervisionadas ou tenham recebido instruções sobre a utilização segura deste dispositivo e riscos resultantes. A limpeza e a manutenção não devem ser feitas por crianças sem supervisão. Crianças com idade entre 3 e 8 anos podem colocar ou retirar alimentos do aparelho.

As crianças devem ser vigiadas para garantir que não brincam com o aparelho. As crianças com menos de 3 anos devem ser mantidas afastadas do aparelho, a menos que estejam sob supervisão contínua de um adulto.

Para evitar a contaminação dos alimentos, respeite as seguintes instruções:

- A abertura da porta por longos períodos pode causar um aumento significativo da temperatura nos compartimentos do aparelho.
- Limpe regularmente as superfícies que possam entrar em contato com alimentos e sistemas de drenagem acessíveis.
- Armazene carne crua e peixe em recipientes adequados no refrigerador, para que não fique em contato ou pingue em outros alimentos.
- Os compartimentos de comida congelada de duas estrelas -**- são adequados para armazenar alimentos pré-congelados, armazenar ou fazer sorvetes e fazer cubos de gelo.
- Os compartimentos de uma -*-, duas -**- e três -***- estrelas não são adequados para o congelamento de alimentos frescos.
- Se o aparelho de refrigeração ficar vazio durante longos períodos, desligue, descongele, limpe, seque e deixe a porta aberta para evitar o desenvolvimento de bolor dentro do aparelho.



Aviso: Risco de incêndio / materiais inflamáveis

Estimado cliente

Obrigado por ter dado preferência a um produto HÆGER.

Os produtos HÆGER foram concebidos a pensar no bem-estar do utilizador, privilegiando os mais elevados padrões de qualidade, funcionalidade e design. Estamos certos de que irá satisfazer as suas expectativas.

O aparelho que adquiriu destina-se apenas a uso doméstico.

Para assegurar a melhor utilização do seu aparelho, leia atentamente o manual de instruções que contém uma descrição do aparelho e conselho sobre armazenamento e conservação de alimentos.

Guarde este manual para referência futura e entregue-o a quem o adquirir no futuro.

Antes de usar o aparelho

1. Após ter desembalado o aparelho, certifique-se de que ele não está danificado e de que a porta fecha corretamente. Eventuais danos devem ser comunicados ao revendedor num prazo de 24 horas.
2. Deixe o aparelho repousar durante duas horas antes de o ligar, a fim de permitir que o circuito refrigerante esteja perfeitamente eficiente.
3. Certifique-se de que a ligação e a instalação elétrica são efetuadas por um técnico qualificado segundo as instruções fornecidas pelo fabricante, e em conformidade com as normas de segurança locais em vigor.
4. Limpe o interior do aparelho antes de o utilizar

Instruções especiais

Se este aparelho é para substituir um frigorífico antigo provido de fechadura, destrua ou inutilize o sistema de fecho antes de se desfazer do mesmo como medida de segurança, e para evitar que as crianças ao brincarem, fiquem fechadas dentro do aparelho com o conseqüente risco de morte por asfixia.

Os frigoríficos e congeladores antigos contêm gases isolados e refrigerados, os quais devem ser cuidadosamente guardados. Verifique que os tubos de refrigeração não estão danificados.



Atenção: Este frigorífico contém isobutano (R600a), gás refrigerante sem CFC, mas combustível. Durante as operações de transporte, instalação, limpeza e reparação do frigorífico, tome cuidado para não danificar partes do circuito de refrigeração para que não ocorram vazamentos do gás. Em caso de danos, evite utilizar chamas livres e ventile adequadamente o aposento no qual o aparelho está instalado.

Advertências para a segurança

O fabricante declina qualquer responsabilidade pelo não cumprimento das seguintes advertências:

- Não ponha um aparelho danificado a funcionar. Em caso de dúvidas, contacte o revendedor.
- A ligação à rede elétrica e a instalação do aparelho devem ser feitas respeitando atentamente as indicações fornecidas no manual. As condições de ligação elétrica devem coincidir com os dados indicados na chapa de identificação. A segurança elétrica do aparelho é garantida exclusivamente se o sistema de ligação à terra da instalação elétrica doméstica estiver em conformidade com as normas.
- Certifique-se de que as reparações e operações de manutenção sejam feitas exclusivamente por técnicos qualificados. Desligue sempre o aparelho da rede elétrica em caso de avaria, manutenção, substituição da lâmpada ou durante a limpeza. Para descongelar o aparelho, nunca utilize aparelhos elétricos ou máquinas de lavar a vapor. Não remova o gelo com objetos cortantes para evitar danos irreparáveis nas paredes do frigorífico.
- Não tente mover o frigorífico puxando-o pela porta ou pelo puxador.
- Conserve as bebidas com alta graduação alcoólica hermeticamente fechadas e somente na posição vertical. Não conserve no compartimento congelador líquidos enlatados ou recipientes de vidro, sobretudo se contiverem bebidas gaseificadas. Não conserve no congelador, produtos contendo gases, produtos inflamáveis e substâncias explosivas. Existe sempre o perigo de explosão!
- É proibido utilizar aparelhos elétricos (por exemplo máquinas de gelados ou batedeiras elétricas) no interior do aparelho.
- Nunca obstrua ou cubra as condutas de circulação do ar para o funcionamento correto do frigorífico.
- Não toque nem ponha na boca produtos congelados tirados diretamente do congelador. Existe o perigo de queimaduras causadas por temperaturas extremamente baixas.
- Não consuma alimentos que apresentam um aspeto e cheiro anormais.
- Este aparelho pode ser utilizado por crianças com idade a partir de 8 anos e por pessoas com capacidades físicas, sensoriais ou mentais ou falta de experiência e conhecimento, se tiverem recebido supervisão ou instruções relativas à utilização do aparelho de forma segura e entender os riscos envolvidos. **As crianças** não devem brincar com o aparelho. Qualquer limpeza e ou manutenção não deve ser feito por crianças a não ser que tenham idade superior a 8 anos e sejam supervisionados.
- Se faltar a corrente elétrica, abra a(s) porta(s) o menor número de vezes possível. Os alimentos congelados que descongelaram parcial ou totalmente não devem ser congelados de novo.

Uso adequado

O aparelho foi fabricado especificamente para a utilização doméstica, sendo por isso adequado para refrigerar e conservar alimentos frescos e congelados e para produzir cubos de gelo. O aparelho não foi projetado e fabricado para emprego de tipo profissional. O fabricante declina toda e qualquer responsabilidade pelos danos decorrentes da utilização incorreta do aparelho.

O frigorífico foi submetido aos testes necessários de estanqueidade do circuito de refrigeração e cumpre as normas de segurança para os aparelhos elétricos.



Atenção: o fabricante declina qualquer responsabilidade por eventuais ferimentos em pessoas ou danos em objetos provocados pelo não cumprimento das normas supracitadas ou pela modificação de qualquer peça do aparelho e pela utilização de peças sobresselentes não originais.

Instalação e Ligação

A escolha do local

- Coloque o frigorífico sempre num ambiente seco e com suficiente troca de ar. Não o exponha à irradiação solar direta nem em ambientes externos. Dependendo da classe climática à qual pertence (indicada na chapa de características), o aparelho pode ser utilizado em diferentes condições de temperatura:

Classe	Temperatura ambiente
SN (Subnormal)	de +10 °C a +32 °C
N (Normal)	de +16 °C a +32 °C
ST (Subtropical)	de +16 °C a +38 °C
T (Tropical)	de +16 °C a +43 °C

- Não coloque o frigorífico perto de fontes de calor. Se não for possível evitar esta condição, para não prejudicar o funcionamento correto do aparelho, será necessário utilizar um painel de isolamento adequado. De outra maneira, coloque o aparelho a pelo menos 3 cm de fogões elétricos ou a gás, e a pelo menos 30 cm de sistemas de aquecimento por combustão ou de radiadores.
- Para garantir um arrefecimento correto do condensador, o frigorífico não deve ser colocado muito perto da parede. Se o frigorífico for instalado em baixo de um móvel suspenso, a distância em relação a este móvel deve ser de pelo menos 5 cm.
- Cuidado quando instalar o aparelho sobre parquet ou linóleo para não arranhar ou danificar o pavimento. Se for necessário, durante o posicionamento faça o frigorífico deslizar sobre dois pedaços de madeira ou sobre um tapete até ele atingir a posição estabelecida para a ligação à rede elétrica.

Posicionamento e nivelamento do aparelho (Fig.2 e 3 e Seção A)

Coloque o frigorífico sobre chão firme e nivelado. Para compensar as irregularidades do pavimento, o frigorífico é provido de dois pés de apoio reguláveis na parte dianteira. Para proporcionar uma maior estabilidade ao produto, uma movimentação mais fácil e, portanto, um posicionamento correto, na base traseira também estão presentes 2 rodas. Todavia, aconselhamos a prestar muita atenção ao deslocar o aparelho para não danificar o pavimento (por exemplo, se o frigorífico estiver colocado sobre parquet).

Ligação elétrica

Antes de ligar o frigorífico pela primeira vez, deixe-o durante pelo menos duas horas na posição vertical. Em seguida, ligue o cabo de alimentação do aparelho a uma tomada de corrente com contacto de terra, instalada de acordo com as normas de segurança elétrica. A tensão nominal

e a frequência estão indicadas na etiqueta de características. A ligação à rede elétrica e a ligação à terra devem ser feitas em conformidade com as normas e prescrições em vigor. O aparelho pode suportar breves oscilações de tensão não inferiores em 15% e não superiores em 10% do valor de tensão nominal indicado na chapa de identificação. Se for necessário substituir o cabo de alimentação, esta operação deverá ser feita exclusivamente por um técnico qualificado. A ficha deve ficar acessível com o aparelho instalado.

Descrição do produto (Fig.1)

1. Termóstato e lâmpada LED	2. Prateleiras de vidro do frigorífico
3. Prateleira da gaveta de legumes e fruta	4. Gaveta de legumes e fruta
5. Gavetas do congelador	6. Pés ajustáveis
7. Prateleiras da porta	8. Câmara do frigorífico
9. Porta da câmara de congelação	

Prateleiras (prateleira de vidro) (Secção B)

Cada frigorífico é fornecido com várias prateleiras que podem ser colocadas a diferentes alturas introduzindo-as nas guias próprias. Cada prateleira tem uma proteção contra a extração total ou acidental. Para removê-la do aparelho, levante-a pela parte traseira e retirá-la. Em seguida, mude a posição da(s) prateleira(s) de acordo com as suas exigências. Para facilitar as operações de extração de todos os acessórios internos, é necessário abrir a porta totalmente.

Descarga da água de descongelação do compartimento frigorífico (Secção C)

Na parte traseira do compartimento frigorífico, por baixo da placa refrigerante, estão presentes uma ranhura e um furo que servem para recolher a água de descongelação. Para permitir o funcionamento correto do frigorífico, esta abertura nunca deve ficar obstruída. Portanto, aconselhamos a controlá-la e limpá-la a intervalos regulares, utilizando para o efeito um arame metálico rígido.

Gaveta para fruta e verdura

Este recipiente situa-se na parte baixa do compartimento frigorífico onde está prevista uma prateleira adequada que serve para cobrir os alimentos frescos que necessitam de condições de humidade constante para serem conservados corretamente.

Compartimentos e prateleiras de porta

Na parte interna da porta estão presentes prateleiras especiais e recipientes para conservar ovos, manteiga, lacticínios, bisnagas, conservas e outras pequenas embalagens. Por outro lado, na parte baixa da porta há uma prateleira para garrafas que permite colocá-las na posição vertical. Todas as prateleiras e recipientes de porta podem ser extraídos para a limpeza. Para tirá-los da porta, bata levemente com a mão, de baixo para cima, primeiro de um lado e depois do outro na zona de introdução. Evite colocar garrafas muito pesadas na prateleira para garrafas e deixá-las cair no fundo quando as colocar. Ao extrair as garrafas, evite puxá-las na diagonal para evitar esforços excessivos na barra de retenção das garrafas.

Iluminação interna

Abrindo a porta do frigorífico, a lâmpada acende e permanece acesa até a porta ser totalmente fechada. A lâmpada também acende se o termóstato do frigorífico for colocado na posição "0" stop, que corresponde à condição de frigorífico desligado.

Como arrumar os alimentos no compartimento frigorífico

- Disponha os alimentos sobre as várias prateleiras tendo o cuidado de embalá-los ou cobri-los hermeticamente. Este cuidado permite:
 - conservar o aroma, a humidade e o frescor dos alimentos;
 - evitar que possam acontecer contaminações de odores e sabor entre os alimentos;
 - evitar uma acumulação excessiva de humidade no interior do compartimento, provocada pela transpiração normal dos alimentos (nomeadamente das frutas e das verduras frescas) que, em determinadas condições de funcionamento (aumento da temperatura e humidade do ambiente, aumento da frequência de abertura da porta), poderia criar a formação de condensação nas prateleiras.
- Utilize exclusivamente recipientes adequados para a conservação de alimentos. Antes de introduzir alimentos e bebidas quentes no frigorífico, deixe-os arrefecer à temperatura ambiente.
- Não conserve no aparelho substâncias explosivas e só conserve bebidas com alta graduação alcoólica em garrafas bem tapadas e colocadas na posição vertical.

Utilização do aparelho (uso diário)

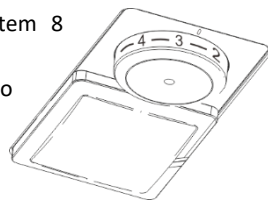
Ligar o aparelho

- Deixar o aparelho em posição vertical durante pelo menos 4 horas antes de o ligar.
- Ligue o aparelho à corrente elétrica.
- Coloque o termóstato na posição desejada, como indicado na secção Regulação da temperatura.
- Deixe o aparelho em repouso durante cerca de 4 horas para que a temperatura correta seja atingida.

Regulação da temperatura

A temperatura interna é controlada por um termóstato. Existem 8 regulações.

- Quando se roda o botão para a posição 0 ("stop"), o aparelho desliga-se.
- As regulações de funcionamento vão de 1 a 7. 1 é a regulação mais quente e 7 é a regulação mais fria.
- O aparelho pode não funcionar à temperatura correta se estiver num local particularmente quente ou se abrir a porta com frequência.
- Regulação recomendada para o compartimento do frigorífico:
Quente: 2-4 Normal: 4 Frio: 4-6
- Não existe uma correspondência direta entre a regulação escolhida e a temperatura nas duas secções do aparelho. O aumento do número de regulação reduz a temperatura no interior do aparelho. Utilize a regulação 7, a mais elevada, apenas se for absolutamente necessário: com esta regulação, as temperaturas no interior do compartimento do frigorífico podem estar próximas de 0°C e nos compartimentos de 4 estrelas -18°C. O consumo de eletricidade será mais elevado. Em condições normais de funcionamento, recomenda-se uma regulação média-baixa (2-4). Isto permite conservar eficazmente os alimentos frescos



no compartimento do frigorífico e os alimentos congelados no compartimento do congelador.



Importante: A modificação das condições climáticas (temperatura e humidade) e a frequência de abertura da porta dos dois diferentes compartimentos, podem afetar os valores de temperatura de funcionamento do frigorífico.

Armazenar e congelar alimentos no congelador

- Este aparelho possui três compartimentos de congelação de 4 estrelas que são adequados para o armazenamento a longo prazo de alimentos congelados. Também pode ser utilizado para congelar e armazenar alimentos frescos.
- Para uma conservação e congelação adequadas, a fruta e os legumes devem ser embalados em porções não superiores a 1 kg e a carne e o peixe até um máximo de 2 kg. As pequenas embalagens de alimentos congelam mais rapidamente, conservando melhor os seus nutrientes e sabor, mesmo depois de descongeladas e preparadas.
- Utilize apenas sacos de congelação, película de alumínio, película de polietileno aprovada para alimentos e recipientes de congelação. Não utilize sacos de papel, sacos de celofane não aprovados para uso alimentar, sacos de compras ou sacos de congelação usados.
- Embale os alimentos em embalagens herméticas e tente expelir todo o ar. Se utilizar sacos, feche as embalagens com os elásticos ou as tiras de arame revestidas a plástico fornecidos.
- Arrefece sempre os alimentos quentes à temperatura ambiente antes de os colocar no congelador e não permita que os alimentos congelados toquem nos alimentos frescos a congelar.
- Marque sempre as embalagens com a data de congelação, a quantidade e o tipo de alimentos e certifique-se de que os alimentos são frescos e estão em boas condições.

Conservação dos alimentos congelados

- Ao comprar alimentos congelados, certifique-se sempre de que a embalagem não está danificada, que o produto não está fora do prazo de validade e que o termómetro do congelador onde os produtos estão expostos para venda não indica uma temperatura superior a -18°C. Tenha também em atenção os conselhos de temperatura, o período de armazenamento e os modos de consumo indicados pelo produtor.
- Os alimentos comprados devem também ser protegidos com recipientes isolados adequados durante o transporte para eliminar o risco de descongelação. Um aumento da temperatura pode reduzir o seu tempo de conservação e afetar negativamente a sua qualidade.
- Não compre alimentos congelados que tenham demasiado gelo; podem já ter sido descongelados.

Como descongelar os alimentos congelados

- Os alimentos parcialmente descongelados devem ser consumidos o mais rapidamente possível. As baixas temperaturas preservam os alimentos, mas não destroem os microrganismos que são ativados após a descongelação e que podem causar a deterioração dos alimentos armazenados. Se os alimentos descongelados tiverem cheiro e aspeto normais, podem ser cozinhados e, se necessário, recongelados depois de arrefecerem.

- Dependendo do seu tipo e da utilização prevista, os alimentos congelados podem ser descongelados corretamente à temperatura ambiente, no frigorífico, num forno elétrico (convencional ou de ventoinha) ou num forno micro-ondas, utilizando a função relevante.

Preparação de cubos de gelo

Encha o tabuleiro fornecido com 2/3 de água ou qualquer outro líquido que pretenda congelar. Coloque-o no compartimento congelador, certificando-se de que o fundo está seco para que não fique colado à prateleira do compartimento. Para retirar os cubos de gelo, torça ligeiramente o tabuleiro ou coloque-o sob água corrente durante alguns segundos.

Manutenção e Limpeza

Descongelação do compartimento frigorífico

O compartimento frigorífico está equipado com a função de descongelação automática. Durante o funcionamento normal do frigorífico, na parede traseira forma-se uma certa quantidade de gelo simultaneamente ao funcionamento do compressor. O gelo derrete-se quando o compressor não funciona. Enquanto o compressor não funciona, o gelo acumulado na parede traseira derrete-se e a água desce pela abertura especial existente no fundo do frigorífico. Em seguida, a água é enviada para a pequena cuba situada no compressor, de onde evapora.



Atenção: A formação de gelo na parede traseira pode variar com a modificação das condições climáticas (temperatura e humidade), a frequência de abertura da porta, as temperaturas de funcionamento do aparelho e a quantidade de alimentos frescos nele contidos (nomeadamente fruta e verdura).

Descongelação do compartimento congelador

A descongelação do compartimento congelador deve ser feita manualmente. Quando a camada de gelo nas prateleiras atinge uma espessura maior do que 2 cm, aconselhamos a efetuar a descongelação do compartimento. Algumas horas antes de iniciar a descongelação, ponha o botão do termóstato na posição correspondente à regulação 7 para diminuir ainda mais a temperatura dos alimentos congelados. Em seguida, rode o botão para a posição 0 (stop) e tire a ficha da tomada elétrica. Tire os alimentos congelados do compartimento e proteja-os da descongelação enquanto faz a limpeza do aparelho.

Limpeza do frigorífico

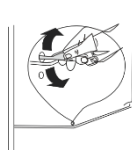
Por razões de higiene, o interior do aparelho, incluindo os acessórios interiores, devem ser limpos regularmente.

- Antes de começar a limpeza, tire a ficha da tomada de alimentação elétrica. Para limpar o exterior do aparelho, utilize exclusivamente água e um detergente líquido delicado ou um detergente comum para superfícies laváveis (por exemplo, detergente para vidros). Não utilize produtos que contenham substâncias abrasivas ou agressivas para as partes laqueadas ou pintadas, ácidos ou solventes químicos. Utilize uma esponja ou um pano macio.
- Não utilize aparelhos de lavar a vapor para limpar o interior do aparelho. Aconselhamos o emprego de produtos de limpeza específicos.
- Remova as prateleiras e acessórios da porta tomando cuidado para não os forçar no momento da extração. Não lave as partes extraíveis de plástico em máquina de lavar louça. Utilize simplesmente água morna e detergente para pratos ou água e vinagre. Evite que a água ou detergentes entrem em contacto com as partes elétricas da iluminação.

- Para limpar as borrachas de vedação, utilize água morna e seque-as em seguida.
- Para que o frigorífico funcione corretamente, faça a limpeza periódica do condensador situado na parte traseira com um pincel ou com o auxílio de um aspirador de pó.
- Para além disso, verifique periodicamente a cuba situada sobre o compressor, limpando-a se for necessário.

Limpeza do orifício de escoamento

Para evitar que a água de descongelação transborde para o frigorífico, limpe periodicamente o orifício de escoamento situado na parte de trás do compartimento do frigorífico. Utilize um produto de limpeza para limpar o orifício, como mostra a figura à direita.



Como desligar o frigorífico

Se o frigorífico tiver de permanecer inativo durante muito tempo, rode o botão do termóstato para a posição 0 (stop). Em seguida, esvazie os compartimentos, desligue o aparelho da rede elétrica e, depois de descongelar o aparelho, seque a humidade residual acumulada. Deixe a porta entreaberta para evitar que a humidade e o ar parado possam criar odores desagradáveis.

Substituição da lâmpada do refrigerador (Secção D) (*)

(*) A luz interna é do tipo LED. Para substituir a lâmpada, contacte um técnico qualificado.

Inverter o sentido da porta (Secção E)

Ferramenta necessária: chave de fenda Phillips, chave de fenda de ponta chata e uma chave ajustável ou chave inglesa.

- Certifique-se de que o aparelho está desligado e vazio.
- Para retirar a porta é necessário inclinar o aparelho para trás. Apoie o aparelho em algo sólido para que não escorregue durante o processo de inversão da porta.
- Todas as peças retiradas devem ser guardadas pois são necessárias para a reinstalação da porta.
- Não coloque o aparelho na horizontal, pois isso pode danificar o sistema de refrigeração.
- É melhor que 2 pessoas manuseiem a unidade durante a montagem.

Siga as imagens na seção E – Porta reversível

1. Remova cuidadosamente a tampa da dobradiça superior com uma chave de fenda plana.
2. Desparafuse a dobradiça superior com uma chave de fenda Philips.
3. Remova a tampa do orifício com uma chave de fenda plana.
4. Mova a tampa do núcleo do lado esquerdo para o lado direito. Em seguida, levante a porta superior e coloque-a sobre uma superfície acolchoada para evitar que risque.
5. Desparafuse a dobradiça do meio e, em seguida, levante a porta inferior e coloque-a sobre uma almofada macia para evitar arranhões.
6. Mova as duas tampas do orifício do meio da esquerda para a direita.
7. Deite a parte traseira da cabine em uma almofada macia. E desparafuse a dobradiça inferior e o pé de nivelamento.
8. Desparafuse e remova o pino da dobradiça inferior, vire o suporte e recoloque-o.
9. Instale a dobradiça no lado esquerdo e a base do pé no lado direito. Em seguida, aparafuse dois pés niveladores com suas peças originais.

10. Mova as duas tampas do orifício do meio da esquerda para a direita.
11. Levante a unidade e coloque a porta na dobradiça inferior. Certifique-se de que o núcleo da dobradiça inferior esteja inserido no orifício da porta. Em seguida, mova a tampa do orifício da dobradiça da porta inferior do lado esquerdo para o lado direito.
12. Instale a dobradiça do meio.
13. Instale a porta superior com a dobradiça superior.
14. Prenda a tampa da dobradiça e a tampa do orifício na parte superior da unidade.
15. Desprenda as juntas da porta do Frigorífico e do Congelador e fixe-as depois de as rodar.

Conselhos práticos para poupar energia

- Instale o frigorífico num ambiente fresco e ventilado, protegido da irradiação direta dos raios solares e afastado de fontes de calor;
- Evite colocar alimentos quentes no frigorífico ou no congelador. Espere que os alimentos e bebidas arrefeçam para a temperatura ambiente antes de os colocar sobre as prateleiras;
- Reduza o tempo e o número de aberturas da(s) porta(s) para evitar um aquecimento excessivo dos compartimentos;
- Limpa o condensador (parte traseira do frigorífico) periodicamente para evitar perdas de eficiência da máquina;
- Se não utilizar o frigorífico durante muito tempo, convém esvaziar o aparelho e desligá-lo;
- Descongele os alimentos congelados introduzindo-os no compartimento frigorífico para recuperar o frio acumulado por eles que, desta maneira, poderão cedê-lo ao frigorífico.

Ruídos durante o funcionamento

- A refrigeração do frigorífico e do congelador realiza-se através de um sistema de compressão. O compressor entra em função para manter a temperatura selecionada no interior dos compartimentos e, se necessário, dependendo da refrigeração solicitada, pode funcionar continuamente. Quando o compressor começa a funcionar, o aparelho emite um zumbido cuja intensidade tende a diminuir depois de alguns minutos.
- Um outro ruído relacionado com o funcionamento normal do frigorífico, é um borbulhão provocado pela passagem do líquido refrigerante dentro dos tubos do circuito. Este ruído é normal e não é sintoma de um problema de funcionamento da máquina. Todavia, se for muito forte, é possível que a origem seja provocada também por outras causas. Nestes casos, é preciso verificar, se:
 - O frigorífico está corretamente nivelado no chão e se não vibra quando o compressor funciona: proceda a uma regulação correta dos pés de apoio fornecidos com o aparelho;
 - As gavetas, prateleiras e compartimentos na porta estão dispostos de maneira correta e nas sedes próprias: coloque estes acessórios de maneira correta;
 - As garrafas e recipientes nas várias prateleiras estão colocados de maneira estável e se não estão em contacto entre si: a vibração consequente do funcionamento do compressor pode criar um certo barulho;
 - Não ponha o frigorífico em contacto com móveis ou com outros eletrodomésticos.

Guia para resolução de avarias

Atenção! Antes de proceder à resolução de problemas, desligue a alimentação elétrica. Apenas um eletricista qualificado ou uma pessoa competente deve fazer a resolução de problemas que não estejam neste manual.

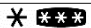
Importante! Existem alguns sons durante a utilização normal (compressor, circulação do refrigerante).

Problema	Causa possível	Solução
O aparelho não funciona.	O botão de regulação da temperatura está colocado no número "0".	Colocar o botão noutro número para ligar o aparelho.
	A ficha de rede não está ligada ou está solta.	Introduzir a ficha de rede.
	O fusível está queimado ou defeituoso.	Verificar o fusível e, se necessário, substituí-lo.
	A tomada está avariada.	As avarias da rede elétrica devem ser corrigidas por um eletricista.
Os alimentos estão demasiado quentes.	A temperatura não está corretamente regulada.	Consultar a secção Ajuste inicial da temperatura.
	A porta esteve aberta durante muito tempo.	Abra a porta apenas durante o tempo necessário.
	Foi colocada uma grande quantidade de alimentos quentes no aparelho nas últimas 24 horas.	Coloque temporariamente a regulação da temperatura numa posição mais fria.
	O aparelho está próximo de uma fonte de calor.	Consulte a secção sobre o local de instalação.
O aparelho arrefece demasiado.	A temperatura está demasiado fria.	Coloque temporariamente o botão de regulação da temperatura numa posição mais quente.
Ruídos estranhos.	O aparelho não está nivelado.	Reajuste os pés.
	O aparelho está a tocar na parede ou noutros objetos.	Deslocar ligeiramente o aparelho.
	Um componente, por exemplo um tubo, na parte de trás do aparelho está a tocar noutra parte do aparelho ou na parede.	Se necessário, dobre cuidadosamente o componente para fora do caminho.
Água no chão.	O orifício de escoamento da água está bloqueado.	Ver a secção Limpeza.
O painel lateral está quente.	O condensador está no interior do painel.	É normal.



Este produto é um frigorífico doméstico. De acordo com a regulamentação nacional, um frigorífico doméstico só pode ser adequado para armazenar alimentos, e não pode ser usado para armazenar outros itens, tais como sangue, drogas e produto biológico e assim por diante.

Dados Técnicos

Referência	CR-32W.016A / CR-32S.017A
Alimentação/ Classe de proteção	220-240 V~ 50Hz / I
Corrente nominal	0.70A / 100W
Potência máxima da Lâmpada LED	1 W
Gás Refrigerante / Quantidade	R600a / 68g
Gás de isolamento	C5H10
Classe energética (1)	E (EEI% = 100)
Consumo anual de energia	234,0kWh/a
Consumo de energia E16 (2)	0.337kWh/24h
Consumo de energia E32 (2)	0.933kWh/24h
Tempo de aumento de Temperatura	14h
Capacidade Útil Total	315 L
Frigorífico	219 L
Congelador	96 L
Classificação do congelador	
Capacidade de congelação	4.4kg/24h
Tipo de descongelação	(Automatic / Manual)
Classe Climática	N/ST (+16°C a +38°C)
Emissão de ruído aéreo [dB (A) re 1pW]	40 dB
Classe de emissão de ruído	C
Peso líquido/Peso bruto	58kg/64kg
Dimensões totais (A x L x P)	1858 x 600 x 605 (mm)
(1) Classe energética: A.....G (A= económico...G= menos económico)	
(2) O consumo real de energia depende das condições e localização do aparelho.	

(*) **Este produto contém uma fonte de luz da classe de eficiência energética G.**

Declaração de Conformidade

Este aparelho foi concebido para conservar produtos alimentares e foi fabricado em conformidade com as diretivas europeias e Regulamento (CE) N° 1935/2004.

Este aparelho foi concebido, fabricado e distribuído em conformidade com as seguintes diretivas:



- Diretiva de Baixa Tensão 2014/35/UE - Segurança;
- Diretiva EMC 2014/30/UE – Compatibilidade Eletromagnética,
- Regulamento (UE) 10/2011 – materiais e objetos de matéria plástica destinados a entrar em contacto com os alimentos.

- Regulamento Delegado (UE) 2019/2016 & Regulamento (UE) 2019/2019.

A segurança elétrica do artigo está assegurada apenas quando estiver corretamente ligado a uma eficiente instalação à terra segundo as normas legais.

Eliminação – Política ambiental

Embalagem



A embalagem é constituída por material 100% reciclável e está marcada com o símbolo de reciclagem. Para a eliminação, respeite as normas locais. Os materiais de embalagem (sacos de plástico, pedaços de poliestireno, etc.) devem ser mantidos fora do alcance das crianças dado que constituem potenciais fontes de perigo.

Eliminação

O produto foi fabricado com material reutilizável.

Este aparelho está classificado de acordo com a Diretiva Europeia 2012/19/EU sobre Resíduos de equipamento elétrico e eletrónico (CEE).

Ao garantir a eliminação adequada deste produto, estará a ajudar a evitar potenciais consequências negativas para o ambiente e para a saúde pública, que poderiam derivar de um manuseamento de desperdícios inadequado deste produto.



O símbolo no produto, ou nos documentos que acompanham o produto, indica que este aparelho não pode receber um tratamento semelhante ao de um desperdício doméstico. Pelo contrário, deverá ser depositado no respetivo centro de recolha para a reciclagem de equipamento elétrico e eletrónico. No momento do desmantelamento, torne o aparelho inutilizável cortando o cabo de alimentação e retirando as portas e as prateleiras de maneira a que as crianças não possam aceder facilmente ao interior do frigorífico.

Em caso de desmantelamento, recomendamos que respeite as normas locais relativas à eliminação de resíduos e entregue-o nos devidos centros de escoamento, sem o deixar de vigiar mesmo por alguns dias, pois pode vir a ser uma fonte de perigo para as crianças. Para obter informações mais detalhadas sobre o tratamento, a recuperação e a reciclagem deste produto, contacte o Departamento na sua localidade, o seu serviço de eliminação de desperdícios domésticos ou a loja onde adquiriu o produto.

Declaração de Garantia

Termos e Condições de garantia

1. O produto é garantido pelo período estipulado pela legislação onde é colocado no mercado, iniciando-se a partir da data de compra, contra defeitos de fabrico e/ou mão-de-obra. A falta de conformidade que se manifeste nesse prazo, presume-se existente à data da compra. Decorrido este prazo cabe ao cliente provar que a falta de conformidade já existia à data da entrega.
2. Se, durante o período de garantia, o produto apresentar qualquer defeito, em situação de utilização normal, o comprador deverá entrar em contacto com o estabelecimento vendedor e remeter o aparelho para o local por este indicado.
3. A garantia só é válida mediante a apresentação da fatura comprovativa da compra e do certificado de garantia preenchido (indicando a data de aquisição, o nome do revendedor, a referência do modelo, sendo ainda recomendada a indicação do número de série e número do lote).
4. O importador/vendedor reserva-se o direito de recusar assistência em garantia no caso de as referidas informações terem sido apagadas ou alteradas após a compra original do produto.

5. A responsabilidade do importador/vendedor inclui nomeadamente os custos da reparação e/ou substituição da unidade coberta pela garantia com a reserva do direito de substituir por um produto equivalente, nos casos em que não seja possível a sua reparação.
6. A garantia não é aplicável a problemas que não estejam diretamente relacionados com defeitos de material, conceção ou mão-de-obra.
7. Este produto é um eletrodoméstico e destina-se apenas a uso doméstico. A garantia perderá validade se o produto for usado para fins profissionais.
8. A garantia não cobre danos causados por uso incorreto, instalação incorreta, derramamento, fatores externos ou danos intencionais.
9. A garantia não cobre danos resultantes de quedas, uso de força excessiva, golpes, exposição a condições ambientais extremas ou deterioração causada pelo uso normal de peças plásticas ou teclados, bem como pelo uso de baterias diferentes das especificadas neste manual.
10. A garantia não cobre a instalação e programação por parte do revendedor. Em particular, não poderão ser aceites reclamação para instalação e programação gratuita por parte do revendedor.
11. A garantia não cobre deficiências que prejudicam de forma insignificante o funcionamento do aparelho. Outros custos, tais como a instalação, transporte e/ou deslocação de técnicos estão expressamente excluídos da garantia.
12. A aplicabilidade da garantia pressupõe que o aparelho seja enviado ao estabelecimento vendedor ou para o local por este indicado, completo e em embalagem bem protegida (se possível na sua embalagem original) e acompanhado da respetiva folha ou cartão de garantia, devidamente preenchida e da prova de compra.
13. Se após a verificação, se concluir que não existem motivos para a reclamação, ou que o produto não apresenta defeitos, os custos inerentes serão imputados ao cliente, estando o revendedor autorizado a cobrar esses custos ao cliente.
14. A garantia perderá validade, quando apresente sinais de que alguma pessoa não autorizada tenha tentado efetuar reparações, modificações ou substituições de peças no aparelho.
15. As reparações realizadas após o final do período de garantia estão sujeitas a custos
16. Esta garantia não afeta os seus direitos legais que possa ter como consumidor ao abrigo da legislação nacional aplicável que rege a compra de produtos onde o produto é vendido.
17. **Período de Garantia:**

Países da União Europeia - aplicam-se as Diretivas Europeias (EU) 2019/771 e (EU) 2019/770 relativa a certos aspetos dos contratos de compra e venda de bens móveis e transpostas para as legislações nacionais dos respetivos países.

Outros países - aplica-se a legislação nacional sobre os direitos do consumidor do respetivo país. Não existindo legislação oficial, a garantia será aplicada segundo o critério do importador que coloca o produto no mercado ou do estabelecimento vendedor.

ADVERTENCIA

Este aparato está diseñado para usarse en aplicaciones domésticas y similares, como áreas de cocina del personal en tiendas, oficinas y otros entornos de trabajo; Casas rurales y por huéspedes en hoteles, moteles y otros entornos residenciales; ambientes tipo cama y desayuno; Catering y aplicaciones similares no minoristas.

Si el cable de alimentación está dañado, debe ser reemplazado por el fabricante, su agente de servicio o personas con calificaciones similares para evitar un peligro.

No almacene sustancias explosivas como latas de aerosol con un propelente inflamable en este aparato. El dispositivo debe desenchufarse después de su uso y antes de llevar a cabo el mantenimiento por parte del usuario.

Advertencia: Mantenga sin obstrucciones las aberturas de ventilación del armario del frigorífico o de la estructura incorporada.

Advertencia: No utilice dispositivos mecánicos u otros medios para acelerar el proceso de descongelación, que no sean los recomendados por el fabricante.

Advertencia: No dañar el circuito de refrigeración.

Advertencia: No utilice otros aparatos eléctricos (como heladeras) dentro de los aparatos frigoríficos, a menos que estén homologados para ello por el fabricante.

Advertencia: deseche el refrigerador de acuerdo con las regulaciones locales, ya que utiliza gas inflamable en el refrigerador.

Advertencia: Al colocar el aparato, asegúrese de que el cable de alimentación no esté atrapado o dañado.

Advertencia: No ubique tomas de corriente portátiles o fuentes de alimentación portátiles en la parte posterior del dispositivo. No use un cable de extensión o adaptadores sin conexión a tierra (dos clavijas).

Peligro: Riesgo de atrapamiento infantil. Antes de deshacerse de su viejo refrigerador o congelador:

- Quítate las puertas.
- Deje los estantes en su lugar para que los niños no puedan entrar fácilmente.

El refrigerador debe desconectarse de la fuente de alimentación eléctrica antes de intentar la instalación del accesorio.



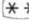
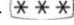
El refrigerante y el material de espuma de ciclopentano que se usa para el refrigerador son inflamables. Por lo tanto, cuando se deseche el refrigerador, debe mantenerse alejado de cualquier fuente de incendio y ser recuperado por una compañía de recuperación especial con la correspondiente calificación que no sea eliminada por

combustión, para evitar daños al medio ambiente o cualquier otro daño.

Este dispositivo puede ser utilizado por niños a partir de 8 años y personas con discapacidades físicas, sensoriales o mentales o por falta de experiencia y conocimientos, siempre que estén supervisados o hayan recibido instrucciones sobre el uso seguro de este dispositivo y sobre los peligros resultantes. La limpieza y el mantenimiento del usuario no deben ser realizados por niños sin supervisión. Los niños de 3 a 8 años pueden cargar y descargar alimentos del aparato.

Los niños deben ser supervisados para asegurarse de que no jueguen con el aparato. Los niños menores de 3 años deben mantenerse alejados del aparato a menos que estén bajo la supervisión continua de un adulto.

Para evitar la contaminación de los alimentos, respete las siguientes instrucciones:

- Abrir la puerta durante períodos prolongados puede provocar un aumento significativo de la temperatura en los compartimentos del aparato.
- Limpie regularmente las superficies que puedan entrar en contacto con alimentos y sistemas de drenaje accesibles.
- Almacene la carne y el pescado crudos en recipientes adecuados en el refrigerador, de modo que no entren en contacto ni goteen sobre otros alimentos.
- Los compartimentos para alimentos congelados de dos estrellas -  - son adecuados para almacenar alimentos pre-congelados, almacenar o hacer helados y hacer cubitos de hielo.
- Los compartimentos de una -  -, dos -  - y tres -  - estrellas no son adecuados para la congelación de alimentos frescos.
- Si el aparato de refrigeración se deja vacío por períodos prolongados, apague, descongele, limpie, seque y deje la puerta abierta para evitar que se forme moho dentro del aparato.



Advertencia: Riesgo de incendio / materiales inflamables

Estimado cliente

Gracias por elegir un producto Haeger.

Haeger productos están diseñados para el bienestar de los consumidores, haciendo hincapié en los más altos estándares de calidad, funcionalidad y diseño. Estamos seguros de su satisfacción con la compra de este producto.

El aparato que ha comprado es para uso exclusivamente doméstico.

Para utilizar este aparato de la mejor manera, lea atentamente las instrucciones de uso, que incluyen una descripción del equipo y algunos consejos útiles para conservar los alimentos.

Guarde este manual para futuras referencias y entrégalo a quien podría adquirir el aparato en una fecha futura.

Antes de utilizar el aparato

1. Tras desembalar el aparato, compruebe que no está dañado y que las puertas cierran correctamente. Los posibles daños deben comunicarse al vendedor en el plazo de 24 h. después de la entrega del aparato.
2. Una vez instalado el aparato, espere como mínimo dos horas antes de ponerlo en marcha para que el circuito refrigerante funcione correctamente.
3. Asegúrese de que la instalación y la conexión eléctrica sean efectuadas por un técnico cualificado según las instrucciones del fabricante y las normas de seguridad locales.
4. Limpie el interior del aparato antes de usarlo.

Instrucciones especiales

Se este aparato reemplaza otro más antiguo con cerrojo, romper o retirar el cerrojo como medida de seguridad antes de almacenarlo, para evitar que los niños, jugando, se encierren dentro accidentalmente.

Los refrigeradores y congeladores antiguos contienen gases de aislamiento y refrigeración, los cuales han de ser eliminados apropiadamente. Asegúrese de que los tubos de refrigeración no resulten dañados.



Atención: Este frigorífico contiene isobutano (R600a), gas refrigerante sin CFC pero combustible. Durante el transporte, instalación, limpieza y reparación del frigorífico se debe prestar atención a fin de no dañar partes del circuito de refrigeración, lo que provocaría pérdidas de gas. En caso de daño evitar el uso de llamas libres y ventilar adecuadamente el local en que se encuentra el frigorífico.

Advertencias sobre seguridad

El fabricante declinará toda responsabilidad en caso de inobservancia de las siguientes instrucciones:

- No ponga en funcionamiento un aparato que presente daños: En caso de dudas consulte a su revendedor.
- La conexión a la red eléctrica y la instalación del aparato deben efectuarse respetando atentamente las instrucciones del manual. Las características de la red eléctrica deben coincidir con los datos indicados en la placa de identificación. La seguridad eléctrica del

aparato quedará garantizada únicamente si el sistema de tierra de la instalación eléctrica doméstica reúne los requisitos establecidos por las respectivas normas.

- Certifíquese que las reparaciones e intervenciones de mantenimiento sean ejecutadas únicamente por técnicos cualificados. Desenchufa siempre el aparato de la red eléctrica en caso de avería, sustitución de la bombilla y ejecución de mantenimiento o limpieza. Para efectuar la descongelación no deberán utilizarse nunca aparatos eléctricos ni lavadores de vapor. No eliminar la escarcha o hielo con objetos cortantes, ya que pueden provocar daño irremediable en las paredes del frigorífico.
- No trate de desplazar el frigorífico tirando su puerta o manilla.
- Las bebidas alcohólicas de alta graduación deben conservarse herméticamente cerradas y sólo en posición vertical. No conservar en el compartimiento del congelador, líquidos en latas o envases de vidrios, especialmente si se trata de bebidas gaseosas. No conservar en el congelador productos que contengan gases, productos inflamables o sustancias explosivas. ¡Existe siempre el peligro de explosión!
- Está prohibido utilizar otros aparatos eléctricos (por ejemplo, heladoras o licuadoras) en el interior del frigorífico.
- Nunca debe taparse ni cubrir de ninguna manera los conductos de circulación de aire para el correcto funcionamiento del frigorífico.
- No tocar ni meter en la boca productos congelados directamente retirados del refrigerador. Existe el peligro de sufrir quemaduras debido a las temperaturas muy bajas.
- No consumir alimentos que presenten aspecto u olor anómalo.
- **Este aparato puede ser usado por niños de 8 o más años y personas con capacidades físicas, sensoriales o mentales reducidas, o falta de experiencia y conocimientos, si reciben supervisión o instrucciones sobre el uso del aparato de forma segura y comprenden los riesgos implicados. Los niños no deben jugar con el aparato. La limpieza y el mantenimiento del usuario no deben ser realizados por niños menores de 8 años, y en este caso con supervisión.**
- En caso de interrupción del suministro eléctrico abrir lo menos posible la/s puerta/s. Los alimentos congelados que se han descongelado de modo parcial o total no deben ser congelados nuevamente.

Uso adecuado

Este aparato ha sido realizado específicamente para uso doméstico, por lo que es adecuado para la refrigeración y conservación de alimentos frescos y congelados y para la producción de cubitos de hielo. Este aparato no ha sido diseñado ni fabricado para uso profesional. El fabricante declina toda responsabilidad por daños derivados de un uso incorrecto del aparato. El frigorífico ha sido sometido a las necesarias pruebas de estanqueidad del circuito refrigerante y reúne los requisitos establecidos por las normas de seguridad relativas a aparatos eléctricos.



Atención: *El fabricante declina toda responsabilidad en cuanto a daños que puedan sufrir personas o cosas como consecuencia de la inobservancia de las normas antedichas o de la alteración incluso solo de una parte del aparato o del uso de recambios no originales.*

Instalación y conexión

La elección del lugar

- Se debe emplazar siempre el frigorífico en un ambiente seco y con adecuado recambio de aire. No instalarlo al aire libre ni exponerlo directamente a los rayos solares. En función de la respectiva clase climática (indicada en la placa de características situada en el interior de la cámara frigorífica), el aparato puede utilizarse en diferentes condiciones de temperatura tal como a continuación se indica:

Clase	Temperatura ambiente
SN (Subnormal)	entre +10 °C y +32 °C
N (Normal)	entre +16 °C y +32 °C
ST (Subtropical)	entre +16 °C y +38 °C
T (Tropical)	entre +16 °C y +43 °C

- No situar el frigorífico en proximidad de fuentes de calor. En caso de que ello sea inevitable, a fin de garantizar el correcto funcionamiento del aparato se deberá utilizar un adecuado panel aislante. Normalmente se deberá instalar el aparato por lo menos a 3 cm de distancia respecto de cocinas eléctricas o de gas y a por lo menos 30 cm respecto de sistemas de calefacción de combustión o radiadores.
- Para garantizar un adecuado enfriamiento del condensador, el frigorífico no debe ser situado muy cerca del muro. En caso de que el frigorífico sea instalado bajo una repisa pensil, la distancia mínima respecto de ésta deberá ser de al menos 5 cm.
- Se deberá prestar particular atención al instalar el aparato sobre parqué o linóleo a fin de no provocar rayas ni daños en el pavimento mismo. Sí es necesario, durante el posicionamiento conviene hacer deslizar el frigorífico sobre pequeñas piezas de madera o sobre un tapete hasta situarlo en la posición prevista para efectuar el enlace a la red eléctrica.

Colocación y nivelación del aparato (Fig. 2 y 3 y Sección A)

Posicionar el frigorífico sobre un suelo estable y nivelado. Para compensar las irregularidades del pavimento, el frigorífico tiene dos pies regulables en la parte anterior. Para consentir mayor estabilidad, un movimiento más fácil y un posicionamiento correcto, hay además dos rodillos en la parte trasera. Sin embargo, aconsejamos mucha atención durante el desplazamiento, para no dañar el pavimento (especialmente en el caso de entarimado).

Conexión eléctrica

Antes de activar el frigorífico por la primera vez es necesario dejarlo al menos durante dos horas en posición vertical. A continuación, conectar el cable de alimentación del aparato a una toma de corriente con contacto de tierra instalado en conformidad con lo establecido por las normas sobre seguridad eléctrica. La tensión nominal y la frecuencia son indicadas en la etiqueta de características. La conexión a la red eléctrica y el contacto de tierra deben efectuarse de conformidad con lo establecido por las normas vigentes. El aparato puede soportar breves oscilaciones de tensión no inferiores en la medida del 15% ni superiores en la medida del 10% respecto del valor de tensión nominal indicado en la placa. La sustitución del cable de alimentación es una operación que debe efectuar sólo un técnico cualificado.

El enchufe debe ser accesible con el equipo instalado.

Descripción del aparato (Fig.1)

1. Termostato y lámpara LED	2. Estantes de cristal del frigorífico
3. Estante para caja de fruta y verdura	4. Caja de frutas y verduras
5. Cajón congelador	6. Pies de altura ajustables
7. Estante de la puerta	8. Cámara frigorífica
9. Puerta de la cámara del congelador	

Estantes (rejilla de vidrio) (Sección B)

El frigorífico está equipado con varios estantes que pueden ser colocados a diferentes alturas en las respectivas guías. Cada estante cuenta con una protección que impide su extracción accidental. En efecto, para retirarlo es necesario elevarlo en su parte trasera y extraerlo. A continuación, será posible situarlo en otra posición a elección del usuario. Para facilitar las operaciones de extracción de todos los accesorios internos es necesario abrir por completo la puerta.

Vaciado del agua de descongelación del compartimento frigorífico (Sección C)

En la parte trasera de la cámara frigorífica, bajo la placa refrigerante, se encuentran un canal y un agujero para la recogida del agua derivada de la descongelación. Para obtener un correcto funcionamiento del frigorífico este agujero debe permanecer siempre libre. Por lo tanto, se aconseja controlarlo y limpiarlo con una cierta frecuencia, utilizando para ello un alambre duro.

Cajón para fruta y verdura

Este recipiente está situado en la parte inferior de la cámara frigorífica, en la que está previsto un estante específico de vidrio de cobertura para los alimentos frescos, los que requieren condiciones de humedad constante para su correcta conservación.

Compartimientos y contenedores puerta

En la parte interna de la puerta se encuentran compartimientos y contenedores para la conservación de huevos, mantequilla, productos lácteos, tubos, conservas y otros envoltorios pequeños. En cambio, en la parte inferior de la puerta se encuentra un recipiente para la colocación vertical de botellas.

Todos los compartimientos y recipientes de la puerta pueden ser extraídos para efectuar la limpieza. Para retirarlos de la puerta golpear ligeramente con el puño desde abajo hacia arriba en la zona de inserción, primero por un lado y a continuación por el otro. Evítese colocar en el botellero botellas demasiado pesadas, así como dejarlas caer sobre el fondo en el momento del posicionamiento. Al extraer las botellas, evítese tirarlas en diagonal a fin de no forzar excesivamente la barandilla de sujeción botellas.

Iluminación interna

Al abrir la puerta del frigorífico se enciende su luz interna, la que permanece encendida mientras la puerta no sea cerrada nuevamente por completo. La luz se enciende también al disponer el termostato del frigorífico en posición "0" stop, a la que corresponde la desactivación del frigorífico mismo.

Colocación de los alimentos en la cámara frigorífica

- Coloque los alimentos en los estantes una vez que han sido empaquetados o cubiertos herméticamente. Ello permite:
 - conservar el aroma, nivel de humedad y frescura de los alimentos;
 - evitar que se verifiquen mezclas de olores y gustos entre los alimentos;
 - evitar una excesiva acumulación de humedad en el interior del compartimiento a causa de la normal transpiración de los alimentos (en particular de fruta y verdura fresca), que en determinadas condiciones de funcionamiento (aumento de la temperatura y humedad del ambiente, aumento de la frecuencia de apertura puerta), podría provocar formación de condensación en los estantes.
- Utilizar sólo recipientes adecuados para la conservación de alimentos. Antes de introducir alimentos y bebidas calientes, éstos deben hacerse enfriar siempre hasta temperatura ambiente.
- No conserve dentro del aparato sustancias explosivas y conserve bebidas alcohólicas de alta graduación sólo, completamente cerradas y en posición vertical.

Funcionamiento del aparato (uso diario)

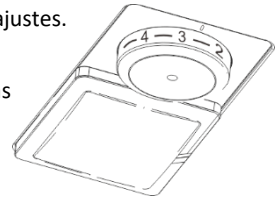
Encendido del aparato

- Deje reposar el aparato durante al menos 4 horas antes de encenderlo.
- Enchufe el aparato y conéctelo a la red eléctrica.
- Coloque el termostato en la posición deseada, tal como se indica en la sección Ajuste de la temperatura.
- Deje el aparato durante aproximadamente 4 horas para que alcance la temperatura correcta.

Ajuste de la temperatura

La temperatura interna se controla mediante un termostato. Hay 8 ajustes.

- Cuando el mando se gira a 0 ("stop"), el aparato se apaga.
- Los ajustes de funcionamiento van de 1 a 7. 1 es el ajuste más cálido y 7 el más frío.
- Es posible que el aparato no funcione a la temperatura correcta si hace mucho calor o si abre la puerta con frecuencia.
- Ajuste recomendado para el compartimento frigorífico:
Caliente: 2-4 Normal: 4 Frío: 4-6
- No existe una correspondencia directa entre el ajuste elegido y la temperatura en las dos secciones del aparato. Al aumentar el número de ajuste se reduce la temperatura en el interior del aparato. Utilice el ajuste más alto, 7, sólo si es absolutamente necesario: con este ajuste, las temperaturas en el interior del compartimento frigorífico pueden ser cercanas a 0°C y en los compartimentos de 4 estrellas de -18°C. El consumo eléctrico será mayor. En condiciones normales de funcionamiento, se recomienda un ajuste medio-bajo (2-4). Esto proporcionará un almacenamiento eficaz de los alimentos frescos en el compartimento frigorífico y de los alimentos congelados en el compartimento congelador.





Importante: El cambio de las condiciones climáticas (temperatura y humedad) y la frecuencia de apertura puerta de ambos compartimientos pueden influir en las temperaturas de funcionamiento del frigorífico.

Almacenamiento y congelación de alimentos en el congelador

- Este aparato dispone de tres compartimentos de congelación de 4 estrellas adecuados para el almacenamiento a largo plazo de alimentos congelados. También puede utilizarse para congelar y almacenar alimentos frescos.
- Para un almacenamiento y congelación adecuados, la fruta y la verdura deben envasarse en porciones de no más de 1 kg y la carne y el pescado hasta un máximo de 2 kg. Los paquetes pequeños de alimentos se congelan más rápidamente, conservando mejor sus nutrientes y sabor, incluso después de descongelarlos y prepararlos.
- Utilice sólo bolsas de congelación, film de aluminio, film de polietileno apto para alimentos y recipientes de congelación. No utilice bolsas de papel, bolsas de celofán no homologadas para uso alimentario, bolsas de la compra o bolsas de congelación usadas.
- Envasa los alimentos en paquetes herméticos e intenta expulsar todo el aire. Si utiliza bolsas, ciérrelas con las gomas elásticas o las tiras de alambre plastificadas que se suministran.
- Enfríe siempre los alimentos calientes a temperatura ambiente antes de introducirlos en el congelador y no permita que los alimentos congelados entren en contacto con los alimentos frescos para congelar.
- Marque siempre los envases con la fecha de congelación, la cantidad y el tipo de alimento y asegúrese de que los alimentos estén frescos y en buen estado.

Conservación de alimentos congelados

- Cuando compre alimentos congelados, asegúrese siempre de que el envase no esté dañado, de que el producto no haya sobrepasado su fecha de caducidad y de que el termómetro del congelador en el que se exponen los productos a la venta no indique una temperatura superior a -18°C . Observe también los consejos de temperatura, el periodo de conservación y los modos de consumo indicados por el productor.
- Los alimentos comprados también deben protegerse con contenedores aislantes adecuados durante el transporte para eliminar el riesgo de descongelación. Un aumento de la temperatura podría reducir su duración de conservación y afectar negativamente a su calidad.
- No compre alimentos congelados que lleven demasiada escarcha; es posible que ya se hayan descongelado.

Descongelación de alimentos congelados

- Los alimentos parcialmente descongelados deben consumirse lo antes posible. Las bajas temperaturas conservan los alimentos, pero no destruyen los microorganismos que se activan tras la descongelación, lo que puede provocar el deterioro de los alimentos almacenados. Si los alimentos descongelados huelen y tienen un aspecto normal, pueden cocinarse y, si es necesario, volver a congelarse una vez que se hayan enfriado.
- Dependiendo de su tipo y uso previsto, los alimentos congelados pueden descongelarse correctamente a temperatura ambiente, en el frigorífico, en un horno eléctrico (convencional o de ventilador) o en un horno microondas utilizando la función correspondiente.

Preparación de cubitos de hielo

Llene la bandeja suministrada hasta 2/3 de su capacidad con agua o cualquier otro líquido que desee congelar. Colóquela en el compartimento congelador, asegurándose de que su fondo esté seco para que no se pegue al estante del compartimento. Para separar los cubitos de hielo, gire ligeramente la bandeja o póngala bajo el grifo durante unos segundos.

Mantenimiento y Limpieza

Descongelación de la cámara frigorífica

El compartimiento frigorífico está provisto de descongelación automática. Durante la actividad normal del frigorífico, en su pared trasera se forma escarcha durante el funcionamiento del compresor, la que se disuelve cuando éste deja de funcionar. Durante el período de inactividad del compresor la escarcha acumulada en la pared trasera se disuelve y el agua pasa a través del agujero presente en el fondo de la cámara. A continuación, llega a la cubeta presente en el compresor, en la cual se evapora.



Atención: La formación de hielo en la pared trasera puede variar en función del cambio de las condiciones climáticas (temperatura y humedad), de la frecuencia de apertura de la puerta, de las temperaturas de funcionamiento del aparato y de la cantidad de alimentos frescos introducidos (en particular fruta y verdura).

Descongelación cámara del congelador

El compartimiento congelador requiere una descongelación manual. Se aconseja efectuar la descongelación cuando el espesor de la escarcha o hielo en los estantes alcanza un espesor superior a 2 cm. Algunas horas antes de efectuar la descongelación se debe disponer el mando del termostato en regulación 7 a fin de enfriar ulteriormente los alimentos congelados. Sucesivamente disponer el mando en posición 0 (stop) y desconectar el enchufe respecto de la red eléctrica. Para efectuar la limpieza se deberán retirar los productos congelados desde el compartimiento y protegerlos de la descongelación.

Limpieza del frigorífico

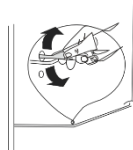
Por razones de higiene, el interior del aparato, incluidos los accesorios interiores, debe limpiarse con regularidad.

- Antes de efectuar la limpieza se deberá desconectar el enchufe eléctrico respecto de la red de alimentación. Para limpiar la parte externa utilizar únicamente agua y un detergente líquido delicado o un detergente común para superficies lavables (por ejemplo, detergente para vidrios). Para las partes lacadas o pintadas no utilizar productos que contengan sustancias abrasivas o agresivas ni ácidos o solventes químicos. Usar una esponja o un paño suave.
- No utilizar limpiadoras de vapor para efectuar la limpieza interna. Aconsejamos emplear productos higienizadores específicos.
- Retirar los estantes y los accesorios de la puerta, cuidando no forzar al extraerlos. No lavar las partes plásticas extraíbles en lavavajillas; usar sólo agua tibia y detergente para platos o bien agua y vinagre. Evítese todo contacto entre agua/detergente y las partes eléctricas de la iluminación.
- Para la limpieza de las juntas usar agua tibia y secar a continuación.

- Para un correcto funcionamiento del frigorífico se debe efectuar periódicamente la limpieza del condensador, que está situado en la parte trasera. Para ello utilizar un pincel o una aspiradora.
- Controlar periódicamente también la cubeta situada sobre el compresor y limpiarla cada vez que sea necesario.

Limpieza del orificio de desagüe

Para evitar que el agua de descongelación rebose hacia el interior del frigorífico, limpie periódicamente el orificio de desagüe situado en la parte posterior del compartimento del frigorífico. Utilice un limpiador para limpiar el orificio como se muestra en la imagen de la derecha.



Desactivación del frigorífico

En caso de que el frigorífico deba permanecer inactivo por largo tiempo, disponer el mando del termostato en 0 (stop). A continuación, vaciar las cámaras, desconectar el enchufe respecto de la red eléctrica y, una vez efectuada la descongelación, secar la humedad residual acumulada. Dejar la puerta entreabierta para evitar que la humedad y aire estancado provoquen malos olores.

Reemplazo de la lámpara del refrigerador (Sección D) (*)

(*) La luz interna es de tipo LED. Para sustituir la lámpara, póngase en contacto con un técnico cualificado.

Invertir la dirección de la puerta (Sección E)

Herramienta necesaria: destornillador Phillips, destornillador de cabeza plana y una llave o llave ajustable.

- Asegúrese de que la unidad esté desenchufada y vacía.
- Para quitar la puerta, es necesario inclinar la unidad hacia atrás. Debe apoyar la unidad sobre algo sólido para que no se deslice durante el proceso de inversión de la puerta.
- Todas las piezas removidas deben guardarse para hacer la reinstalación de la puerta.
- No coloque la unidad plana ya que esto puede dañar el sistema de refrigeración.
- Es mejor que 2 personas manejen la unidad durante el montaje.

Siga las imágenes de la sección E – Puerta inversa

1. Retire con cuidado la cubierta de la bisagra superior con un destornillador plano.
2. Desatornille la bisagra superior con un destornillador Philips.
3. Retire la tapa del orificio con un destornillador plano.
4. Mueva la cubierta del núcleo del lado izquierdo al lado derecho. Y luego levante la puerta superior y colóquela sobre una superficie acolchada para evitar que se raye.
5. Desatornille la bisagra central y luego levante la puerta inferior y colóquela sobre una almohadilla suave para evitar rayones.
6. Mueva las dos cubiertas del orificio central de izquierda a derecha.
7. Acueste la parte trasera del gabinete sobre una almohadilla suave. Y desatornille la bisagra inferior y el pie nivelador.
8. Desatornille y retire el pasador de la bisagra inferior, dé vuelta el soporte y reemplácelo.

9. Instale la bisagra en el lado izquierdo y la base del pie en el lado derecho. Luego atornille dos pies niveladores con sus partes originales.
10. Mueva las dos cubiertas del orificio central de izquierda a derecha.
11. Levante la unidad y coloque la puerta en la bisagra inferior. Asegúrese de que el centro de la bisagra inferior esté insertado en el orificio de la puerta. Luego mueva la cubierta del orificio de la bisagra de la puerta inferior del lado izquierdo al lado derecho.
12. Instale la bisagra central.
13. Instale la puerta superior con la bisagra superior.
14. Coloque la cubierta de la bisagra y la cubierta del orificio en la parte superior de la unidad.
15. Separe las juntas de las puertas del frigorífico y del congelador y luego colóquelas después de girarlas.

Consejos prácticos para obtener ahorro energético

- Instala el frigorífico en un ambiente fresco y aireado, evitando que reciba directamente los rayos solares, y alejado de fuentes de calor.
- No introduzca alimentos calientes en el compartimento frigorífico ni en el congelador. Esperar el enfriamiento a temperatura ambiente de alimentos y bebidas antes de colocarlos en los estantes.
- Reduzca el tiempo y el número de aperturas de la/s puerta/s a fin de evitar un excesivo calentamiento de las cámaras.
- Limpia periódicamente el condensador (parte trasera del frigorífico) a fin de evitar pérdidas de eficiencia del aparato.
- En caso de inactividad del frigorífico por largo tiempo, es conveniente vaciarlo y apagarlo.
- Descongela los alimentos congelados introduciéndolos en el compartimento frigorífico, a fin de aprovechar el frío de estos, que lo cederán a la cámara frigorífica.

Ruidos de funcionamiento

- El enfriamiento del frigorífico y del congelador se efectúa mediante un sistema de compresión. Para mantener la temperatura seleccionada en el interior de las cámaras, el compresor se activa y, en función del enfriamiento requerido y si es necesario, puede funcionar de modo continuo. Al activarse el compresor se produce un zumbido, cuya intensidad tiende a disminuir después de algunos minutos.
- Otro ruido propio del funcionamiento normal del frigorífico es el gorgoteo producido por la circulación del líquido refrigerante en el interior de los tubos del circuito. Este ruido es normal y no indica malfuncionamiento del aparato. En caso de ser excesivo podría deberse a otras causas que no sean aquéllas normales. En tal caso será necesario verificar que:
 - el frigorífico esté correctamente nivelado sobre el pavimento y que durante el funcionamiento del compresor no vibre: eventualmente efectuar una correcta regulación de sus pies de apoyo;
 - los cajones, estantes y cubetas de la puerta estén correctamente colocados en sus alojamientos: colocarlos de modo correcto;
 - botellas y recipientes estén correctamente colocados en los estantes, sin contacto entre sí ya que la vibración causada por el funcionamiento normal del compresor podría generar un poco de ruido;
 - no poner en contacto el frigorífico con muebles u otros electrodomésticos.

Guía para solución de problemas

¡Precaución! Antes de proceder a la localización de averías, desconecte la alimentación eléctrica. Sólo un electricista cualificado o una persona competente debe realizar la localización de averías que no figuran en este manual.

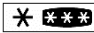
¡Importante! Se producen algunos ruidos durante el uso normal (compresor, circulación del refrigerante).

Problema	Posible causa	Solución
El aparato no funciona.	El mando de regulación de la temperatura está en el número "0".	Ponga el mando en otro número para encender el aparato.
	El enchufe de red no está enchufado o está suelto.	Inserte el enchufe.
	El fusible está fundido o defectuoso.	Compruebe el fusible y sustitúyalo si es necesario.
	Enchufe defectuoso.	Las averías de la red deben ser corregidas por un electricista.
La comida está demasiado caliente.	La temperatura no está bien ajustada.	Consulte el capítulo Ajuste inicial de la temperatura.
	La puerta ha estado abierta durante mucho tiempo.	Abra la puerta sólo el tiempo necesario.
	Se ha introducido una gran cantidad de alimentos calientes en el aparato en las últimas 24 horas.	Gire la regulación de temperatura a un ajuste más frío de forma temporaria.
	El aparato está cerca de una fuente de calor.	Consulte la sección de ubicación de la instalación.
El aparato se enfría demasiado.	La temperatura está ajustada demasiado fría.	Gire el regulador de temperatura a un ajuste más cálido.
Ruidos extraños.	El aparato no está nivelado.	Reajuste las patas.
	El aparato está tocando la pared u otros objetos.	Desplace ligeramente el aparato.
	Un componente, por ejemplo, un tubo, de la parte trasera del aparato está tocando otra parte del aparato o la pared.	Si es necesario, aparte con cuidado el componente.
Hay agua en el suelo.	El orificio de evacuación de agua está obstruido.	Consulte la sección Limpieza.
El panel lateral está caliente.	El condensador está dentro del panel.	Es normal.



Este producto es un refrigerador doméstico. De acuerdo con los reglamentos nacionales, refrigerador doméstico sólo puede ser adecuado para el almacenamiento de alimentos, y no puede ser utilizado para almacenar otros artículos, tales como sangre, medicamentos y productos biológicos, etc.

Datos Técnicos

Referencia	CR-32W.016A / CR-32S.017A
Alimentación/ Clase de protección	220-240 V~ 50Hz / I
Corriente nominal	0.70A / 100W
Potencia de la Lámpara	1 W
Gas Refrigerante / Cantidad	R600a / 68g
Gas de aislamiento	C5H10
Clase de energía (1)	E (EEI% = 100)
Consumo de energía anual	234,0kWh/a
Consumo de energía E16 (2)	0.337kWh/24h
Consumo de energía E32 (2)	0.933kWh/24h
Período de subida de la temperatura	14h
Capacidad Útil Total	315 L
Refrigerador	219 L
Congelador	96 L
Clasificación del congelador	
Capacidad de congelación	4.4kg/24h
Tipo de descongelación	(Automatic / Manual)
Clase Climática	N/ST (+16°C a +38°C)
Ruido acústico aéreo emitido [dB (A) re 1pW]	40 dB
Clase de ruido acústico aéreo emitido	C
Peso neto/Peso bruto	58kg/64kg
Dimensiones totales (Al x An x Pr)	1858 x 600 x 605 (mm)
(1) Clase de energía: A.....G (A= económica...G= menos económica)	
(2) El consumo real de energía depende de las condiciones y la ubicación del dispositivo.	

(*) Este producto contiene una fuente luminosa de la clase de eficiencia energética G.

Declaración de Conformidad

Este aparato está diseñado para conservar los alimentos y se fabrica de acuerdo con las Directivas Europeas y reglamento de la Unión Europea (CE) No. 1935/2004.

Este dispositivo fue diseñado, fabricado y distribuido de acuerdo con las siguientes directivas:

- Directiva de Baja Tensión 2014/35/UE – Seguridad;
- Directiva EMC 2014/30/UE – Compatibilidad Electromagnética.
- Reglamento (UE) N°. 10/2011 – materiales plásticos destinados a entrar en contacto con alimentos.
- Reglamento delegado (UE) 2019/2016 y Reglamento (UE) 2019/2019.



La seguridad eléctrica de este artículo está asegurada si está correctamente conectado a una toma de tierra eficaz siguiendo las normas de instalación.

Disposición – La política ambiental

Embalaje



El material de embalaje es 100% reciclable, como lo indica el símbolo correspondiente. Para su eliminación, respete las normas locales. No deje el material de embalaje (bolsas de plástico, trozos de poliestireno, etc.) al alcance de los niños; puede ser peligroso.

Eliminación del viejo frigorífico

El aparato se ha fabricado con material reciclable.

Este aparato lleva el marcado CE en conformidad con la Directiva 2012/19/EU del Parlamento Europeo y del Consejo sobre residuos de aparatos eléctricos y electrónicos (RAEE).

La correcta eliminación de este producto evita consecuencias negativas para el medioambiente y la salud.



El símbolo en el producto o en los documentos que se incluyen con el producto, indica que no se puede tratar como residuo doméstico. Es necesario entregarlo en un punto de recogida para reciclar aparatos eléctricos y electrónicos.

Para su eliminación, inutilice el aparato. Corte el cable de alimentación y quite las puertas y los estantes para evitar que los niños jueguen con el aparato.

Deséchelo con arreglo a las normas medioambientales locales y entréguelo en un centro de recuperación de gases de refrigeración.

Para obtener información más detallada sobre el tratamiento, recuperación y reciclaje de este producto, póngase en contacto con el ayuntamiento, con el servicio de eliminación de residuos urbanos o la tienda donde adquirió el producto.

Declaración de garantía

Términos y condiciones de la garantía

1. El producto está garantizado por el período estipulado por la legislación donde se comercializa, a partir de la fecha de compra, contra defectos de fabricación y/o mano de obra. La falta de conformidad que se manifieste dentro de este plazo, presume que existe en la fecha de compra. Después de este período, corresponde al cliente demostrar que la falta de conformidad ya existía en el momento de la entrega.
2. Si, durante el período de garantía, el producto es defectuoso en uso normal, el comprador debe ponerse en contacto con el establecimiento vendedor y enviar el electrodoméstico al lugar indicado por el vendedor.
3. La garantía solo es válida previa presentación de la factura que acredite la compra y el certificado de garantía completado (indicando la fecha de compra, el nombre del distribuidor, la referencia del modelo, y también se recomienda indicar el número de serie y el número de lote).
4. El importador / vendedor se reserva el derecho de rechazar la asistencia de garantía en caso de que dicha información haya sido eliminada o alterada después de la compra original del producto.
5. La responsabilidad del importador/vendedor incluirá, entre otras cosas, los costes de reparación y/o sustitución de la unidad cubierta por la garantía con la reserva del derecho a sustituirla por un producto equivalente, cuando no sea posible repararla.

6. La garantía no se aplica a problemas que no estén directamente relacionados con defectos de material, diseño o mano de obra.
7. Este producto es un electrodoméstico y está destinado solo para uso doméstico. La garantía se anula si el producto se utiliza con fines profesionales.
8. La garantía no cubre los daños causados por mal uso, instalación inadecuada, derrames, factores externos o daños intencionales.
9. La garantía no cubre los daños resultantes de caídas, uso de fuerza excesiva, golpes, exposición a condiciones ambientales extremas o deterioro causado por el uso normal de piezas de plástico o teclados, así como el uso de baterías distintas a las especificadas en este manual.
10. La garantía no cubre la instalación y programación por parte del distribuidor. En particular, no se aceptará ninguna reclamación de instalación y programación gratuita por parte del revendedor.
11. La garantía no cubre deficiencias que perjudiquen insignificadamente el funcionamiento del aparato. Otros costes, como la instalación, el transporte y el desplazamiento del técnico están expresamente excluidos de la garantía.
12. La aplicabilidad de la garantía presupone que el aparato sea enviado al establecimiento vendedor o al lugar indicado por éste, completo y en un embalaje bien protegido (si es posible en su embalaje original) y acompañado de la respectiva hoja o tarjeta de garantía, debidamente cumplimentado y comprobante de compra.
13. Si después de la verificación, se descubre que no hay razones para la reclamación, o que el producto no es defectuoso, los costos inherentes se imputarán al cliente, y el distribuidor está autorizado a cobrar esos costos al cliente.
14. La garantía quedará anulada cuando presente indicios de que una persona no autorizada ha intentado realizar reparaciones, modificaciones o sustitución de piezas en el aparato.
15. Las reparaciones realizadas una vez finalizado el período de garantía incurrir en costes.
16. Esta garantía no afecta a sus derechos legales que pueda tener como consumidor en virtud de la legislación nacional aplicable que rige la compra de productos donde se vende el producto.
17. **Período de garantía:**

Países de la Unión Europea - Las Directivas Europeas (UE) 2019/771 y (UE) 2019/770 se aplican a ciertos aspectos de los contratos de compraventa de bienes muebles y se transponen a las legislaciones nacionales de sus países.

Otros países: se aplica la legislación nacional sobre los derechos de los consumidores en su país. En caso de que no exista legislación oficial, la garantía se aplicará a discreción del importador que introduzca el producto en el mercado o del establecimiento vendedor.

ATTENCION

Cet appareil est destiné à être utilisé dans des applications domestiques et similaires telles que les cuisines de personnel dans les magasins, les bureaux et autres environnements de travail ; maisons de ferme et par les clients dans les hôtels, motels et autres environnements résidentiels ; environnements de type chambres d'hôtes ; restauration et applications similaires non commerciales.

Si le cordon d'alimentation est endommagé, il doit être remplacé par le fabricant, son agent de service ou personnes de qualification similaire pour éviter tout risque.

Ne stockez pas de substances explosives telles que des bombes aérosol contenant un propulseur inflammable dans cet appareil. L'appareil doit être débranché après utilisation et avant de procéder à la maintenance de l'appareil par l'utilisateur.

Avertissement : Maintenez les orifices de ventilation, dans le boîtier de l'appareil ou dans la structure intégrée, à l'écart de tout obstacle.

Avertissement : N'utilisez pas d'appareils mécaniques ou d'autres moyens pour accélérer le processus de dégivrage que ceux recommandés par le fabricant.

Avertissement : Ne pas endommager le circuit du réfrigérateur.

Avertissement : N'utilisez pas d'autres appareils électriques (tels que des sorbetières) à l'intérieur des appareils de réfrigération, à moins qu'ils ne soient approuvés à cet effet par le fabricant.

Avertissement : Veuillez mettre le réfrigérateur au rebut conformément aux réglementations locales, car il utilise des gaz inflammables soufflants dans le réfrigérateur.

Avertissement : lors du positionnement de l'appareil, assurez-vous que le cordon d'alimentation n'est pas coincé ni endommagé.

Avertissement : Ne placez pas plusieurs prises de courant portables ou blocs d'alimentation portables à l'arrière de l'appareil.

Ne pas utiliser de rallonge ni d'adaptateur sans mise à la terre (à deux broches).

Danger : Risque de piégeage de l'enfant. Avant de jeter votre vieux réfrigérateur ou congélateur :

- Enlevez les portes.
- Laissez les étagères en place de sorte que les enfants ne puissent pas facilement monter à l'intérieur.

Le réfrigérateur doit être débranché de la source d'alimentation électrique avant de tenter l'installation de l'accessoire.

Le matériau réfrigérant et le cyclopentane moussant utilisés pour le réfrigérateur sont inflammables. Par conséquent, lorsque le réfrigérateur est mis au rebut, il doit être

tenu éloigné de toute source d'incendie et récupéré par une entreprise de récupération spéciale possédant les qualifications correspondantes, autre que l'élimination par combustion, de manière à éviter tout dommage à l'environnement ou tout autre dommage.

Cet appareil peut être utilisé par des enfants âgés de 8 ans et plus et des personnes ayant une déficience physique, sensorielle ou mentale, ou manquant d'expérience et de connaissances, à condition qu'ils soient supervisés ou aient reçu une formation pour utiliser cet appareil en toute sécurité et les risques qui en résultent. Le nettoyage et la maintenance par l'utilisateur ne doivent pas être effectués par des enfants sans surveillance. Les enfants âgés de 3 à 8 ans sont autorisés à charger et à décharger l'appareil.

Les enfants doivent être surveillés pour s'assurer qu'ils ne jouent pas avec l'appareil. Les enfants de moins de 3 ans doivent être tenus à l'écart de l'appareil à moins d'être surveillés en permanence par un adulte.

Pour éviter la contamination des aliments, veuillez respecter les instructions suivantes :

- L'ouverture prolongée de la porte peut entraîner une augmentation significative de la température dans les compartiments de l'appareil.
- Nettoyez régulièrement les surfaces pouvant entrer en contact avec des aliments et des systèmes de drainage accessibles.
- Rangez la viande et le poisson crus dans des récipients appropriés au réfrigérateur, de manière à ce qu'ils ne soient pas en contact avec d'autres aliments ni ne s'égouttent dessus.
- Les compartiments deux étoiles - (**)- conviennent au stockage d'aliments congelés, au stockage ou à la fabrication de glaces et à la fabrication de glaçons.
- Les compartiments à une (*), deux (***) et trois étoiles - (***)- ne conviennent pas à la congélation d'aliments frais.
- Si l'appareil de réfrigération reste vide pendant de longues périodes, éteignez, dégivrez, nettoyez, séchez et laissez la porte ouverte pour éviter le développement de moisissure dans l'appareil.



Avertissement : Risque d'incendie / de matériaux inflammables

Cher Client

Merci d'avoir choisi un produit Haeger.

Les produits Haeger sont conçus pour le bien-être du consommateur, en insistant sur les plus hauts standards de qualité, de fonctionnalité et de design. Nous sommes certains de leur satisfaction à l'achat de ce produit.

L'appareil que vous venez d'acheter est un combiné réfrigérateur et congélateur ; il est exclusivement réservé à un usage ménager.

Pour utiliser au mieux votre appareil, nous vous invitons à lire attentivement les instructions relatives à son utilisation, dans lesquelles vous trouverez la description de votre appareil et des conseils utiles sur la conservation des aliments. Cette notice doit être conservée pour la céder avec l'appareil aux éventuels propriétaires suivants.

Avant d'utiliser l'appareil

1. Après avoir déballé l'appareil, assurez-vous qu'il n'est pas endommagé et que les portes ferment parfaitement. Tout dommage éventuel devra être signalé au revendeur dans un délai de 24 heures.
2. Nous conseillons d'attendre au moins deux heures avant de mettre l'appareil en service, pour permettre au circuit de réfrigération d'être performant.
3. Assurez-vous que l'installation et le branchement électrique ont été réalisés par un technicien qualifié, conformément aux instructions du fabricant et aux normes locales en vigueur en matière de sécurité
4. Nettoyez l'intérieur de l'appareil avant de l'utiliser.

Instructions spéciales

Si cet appareil vient remplacer un ancien réfrigérateur équipé d'une fermeture mécanique, nous vous conseillons, par mesure de sécurité, de détruire cette dernière, afin d'éviter que les enfants ne restent enfermés à l'intérieur de l'appareil au cours de leurs jeux.

Les anciens réfrigérateurs et congélateurs contiennent de gaz calorifuges et du réfrigérant dont vous devez vous débarrasser. Assurez-vous que les tubes frigorifiques ne sont pas endommagés.



Attention : ce réfrigérateur contient de l'isobutane (R600a), gaz réfrigérant sans CFC, mais combustible. Au cours du transport, de l'installation, du nettoyage et de la réparation du réfrigérateur, faire très attention de ne pas endommager les parties du circuit réfrigérant afin d'exclure la sortie du gaz. En cas d'endommagement, éviter l'utilisation de flammes nues et bien aérer la pièce dans laquelle se trouve l'appareil.

Avertissements concernant la sécurité

Le constructeur décline toute responsabilité dans le cas où les avertissements suivants ne seraient pas respectés :

- Ne pas mettre l'appareil en marche s'il est endommagé : en cas de doute, demander au revendeur.
- Le branchement au réseau électrique et l'installation de l'appareil doivent être effectués en respectant attentivement les indications du manuel. Les conditions de branchement

électrique doivent coïncider avec les données indiquées sur la plaque d'identification. La sécurité électrique de l'appareil est garantie exclusivement si le système de mise à terre de l'installation électrique domestique est conforme aux normes.

- S'assurer que les réparations et les opérations d'entretien sont effectuées exclusivement par des techniciens qualifiés. Toujours débrancher l'appareil en cas de panne, d'entretien, de remplacement de la lampe ou pendant le nettoyage. Pour le dégivrage, ne jamais utiliser d'appareils électriques ou de nettoyeurs à vapeur. Ne pas enlever le givre ou la glace avec des objets tranchants, pour éviter d'endommager définitivement les parois du réfrigérateur.
- Ne pas essayer de déplacer le réfrigérateur en tirant la porte ou la poignée.
- Conserver les boissons alcoolisées à haut degré d'alcool hermétiquement fermées et exclusivement en position verticale. Ne pas conserver dans le compartiment congélateur des liquides en boîtes ou en récipients en verre, surtout s'il s'agit de boissons additionnées d'anhydride carbonique. Ne pas conserver dans le congélateur des produits contenant des gaz, des poudres inflammables et des substances explosives : danger d'explosion !
- Il est interdit d'utiliser des appareils électriques (par exemple des sorbetières ou des mixeurs) à l'intérieur de l'appareil.
- Ne pas obstruer ou couvrir les conduites de circulation d'air pour le fonctionnement correct du réfrigérateur.
- Ne pas toucher ou mettre dans la bouche les produits congelés prélevés directement du congélateur.
- Danger de brûlures, à cause des températures très basses.
- Ne pas consommer d'aliments qui ont une odeur et un aspect anormaux
- **Cet appareil peut être utilisé par les enfants de 8 ans et plus et les personnes atteintes de handicap mental, physique ou sensoriel ou les personnes qui manquent d'expérience ou de connaissances s'ils sont supervisés ou s'ils ont reçu des instructions à propos de l'utilisation de l'appareil d'une manière sûre et s'ils en comprennent les dangers. Les enfants ne doivent pas jouer avec l'appareil. Le nettoyage et l'entretien par l'utilisateur ne peuvent pas être effectués par les enfants à moins qu'ils soient âgés de plus de 8 ans et supervisés.**
- S'il y a une panne de courant, ouvrir le moins possible la/les porte/s. Les aliments congelés qui se sont décongelés complètement ou en partie ne doivent pas être recongelés.

Utilisation du réfrigérateur

L'appareil a été conçu de façon spécifique pour l'utilisation domestique ; par conséquent, il est adapté à la réfrigération et la conservation des aliments frais et surgelés et à la production de glaçons. L'appareil n'a pas été conçu et fabriqué pour une utilisation professionnelle. Le constructeur décline toute responsabilité pour des dommages dérivant de l'utilisation non correcte de l'appareil. Le réfrigérateur a été soumis aux essais d'étanchéité du circuit réfrigérant et est conforme aux normes de sécurité pour les appareils électriques.



Attention : le constructeur décline toute responsabilité pour des dommages subis par des personnes ou des choses, causés par l'inobservation des prescriptions susmentionnées ou dérivant de la modification, même d'une seule partie de l'appareil, et de l'utilisation de pièces de rechange qui ne sont pas d'origine.

Installation et branchement

Le choix du lieu

- Positionner toujours le réfrigérateur dans un lieu sec et avec un changement d'air suffisant. Ne pas l'exposer directement aux rayons du soleil et à l'extérieur. Selon la classe climatique d'appartenance (indiquée sur la plaquette appliquée) l'appareil peut être utilisé dans des conditions de température différentes :

Classe	Température ambiante
SN (Subnormale)	+10 °C à +32 °C
N (Normale)	+16 °C à +32 °C
ST (Subtropicale)	+16 °C à +38 °C
T (Tropicale)	+16 °C à +43 °C

- Ne pas installer le réfrigérateur près de sources de chaleur. Si cela est inévitable, pour ne pas compromettre le fonctionnement correct de l'appareil, utiliser un panneau isolant approprié. Sinon positionner l'appareil à au moins 3 cm de cuisinières électriques ou à gaz, et à au moins 30 cm de systèmes de chauffage à combustion ou de radiateurs.
- Pour assurer un refroidissement correct du condenseur, le réfrigérateur ne doit pas être positionné trop près du mur. Pour éviter cela, le produit est équipé de deux entretoises en plastique, qui doivent être placées sur la partie supérieure du condenseur. Si le réfrigérateur est installé sous un élément haut, la distance de celui-ci doit être au moins de 5 cm.
- Faire attention si l'on installe l'appareil sur du parquet ou du linoléum, pour éviter de rayer ou d'endommager le carrelage. Si nécessaire, pendant le positionnement faire glisser le réfrigérateur sur des morceaux de bois ou un tapis, jusqu'à ce qu'il soit bien positionné pour le branchement au réseau électrique.

Positionnement et mise à niveau de l'appareil (Fig.2 & 3 & Section A)

Placez le frigo sur un fond stable et nivelé. Afin de compenser des irrégularités du sol, le réfrigérateur est doté de deux pieds réglables dans la partie antérieure. Pour garantir une stabilité majeure, un mouvement plus facile et un positionnement correct, la base postérieure est dotée de deux petites roues. En tout cas on conseille de prêter beaucoup d'attention lors du mouvement du frigo, pour éviter d'endommager le sol (surtout dans le cas d'un sol en plancher).

Branchement électrique

La première fois, avant d'allumer le réfrigérateur, le laisser pendant au moins deux heures en position verticale. Connecter le câble d'alimentation à une prise de courant avec contact de terre, installée selon les normes sur la sécurité électrique. La tension nominale et la fréquence sont indiquées sur l'étiquette des caractéristiques placée dans le compartiment réfrigérateur. Le branchement au réseau électrique et la mise à terre doivent être effectués conformément aux normes et aux prescriptions en vigueur.

L'appareil peut supporter des brefs écarts de tension non inférieurs de 15% et non supérieurs de 10% par rapport à la valeur de tension nominale reportée sur la plaquette. Le remplacement du câble d'alimentation ne peut être effectué que par un technicien qualifié.

La prise devra être accessible une fois que l'appareil sera placé.

Description du produit (Fig.1)

1. Thermostat et lampe LED	2. Clayettes en verre du réfrigérateur
3. Étagère pour bac à légumes et à fruits	4. Boîte à légumes et à fruits
5. Tiroir de congélation	6. Pieds réglables
7. Porte-étagères	8. Chambre du réfrigérateur
9. Porte du compartiment congélateur	

Clayettes (étagère à verres) (section B)

Plusieurs clayettes sont fournies en équipement à chaque réfrigérateur ; elles peuvent être positionnées à différentes hauteurs en les enfilant dans les glissières prévues. Chaque clayette a une protection contre l'extraction complète ou accidentelle. Pour l'enlever de l'appareil, la lever dans la partie arrière et l'extraire. Ensuite changer la position de la/des clayette/s selon vos exigences. Pour faciliter les opérations d'extraction de tous les accessoires intérieurs, ouvrir complètement la porte.

Vidange de l'eau de dégivrage du compartiment réfrigérateur (section C)

Dans la partie arrière du compartiment réfrigérateur, sous la plaque réfrigérante, il y a une gorge et un trou pour recueillir l'eau de dégivrage. Cette ouverture ne doit pas être obstruée pour permettre le fonctionnement correct du réfrigérateur. Par conséquent, il est conseillé de la contrôler et de la nettoyer régulièrement, avec un fil métallique rigide.

Bac à légumes et à fruits

Ce bac se trouve dans la partie basse du compartiment réfrigérateur dans laquelle est prévue une clayette en verre pour la couverture des aliments frais, qui demandent des conditions d'humidité constante pour une conservation correcte.

Contreporte aménagée

A l'intérieur de la porte se trouvent des balconnets et des bacs pour la conservation des œufs, du beurre, des laitages, des tubes, des conserves et d'autres petits paquets. Dans la partie basse de la porte se trouve un logement pour le positionnement à la verticale des bouteilles.

Tous les balconnets et les bacs peuvent être enlevés pour le nettoyage. Pour les extraire de la porte, tapoter avec le poing du bas vers le haut d'abord d'un côté puis de l'autre dans la zone d'introduction. Éviter d'enfiler dans le porte-bouteilles des bouteilles trop lourdes et de les laisser tomber sur le fond au moment de leur mise en place. Lors de l'extraction, ne pas tirer en diagonale les bouteilles afin d'éviter des efforts excessifs sur la tige bloque-bouteilles.

Éclairage interne

En ouvrant la porte du réfrigérateur, la lampe s'allume et reste allumée jusqu'à la fermeture complète de la porte. La lampe s'allume même si le thermostat du réfrigérateur se trouve sur la position "0" stop, à laquelle correspond l'extinction du réfrigérateur.

- Ne vous inquiétez pas si lorsque l'appareil est branché sur le réseau électrique pour la première fois, il dégage une légère odeur. Celle-ci disparaîtra dès que le processus de réfrigération aura commencé.

Rangements des aliments dans le réfrigérateur

- Placer les aliments sur les différentes clayettes en ayant soin de les conditionner ou de les couvrir hermétiquement. Cette précaution permet :
 - de conserver l'arôme, l'humidité et la fraîcheur des aliments ;
 - d'éviter qu'il y ait contaminations d'odeurs et de goûts entre les aliments ;
 - d'éviter une accumulation excessive d'humidité à l'intérieur du compartiment, due à la transpiration normale des aliments (en particulier des fruits et des légumes frais), qui, dans des conditions déterminées de fonctionnement (augmentation de la température et de l'humidité de l'environnement, augmentation de la fréquence d'ouverture de la porte), pourraient provoquer la formation de vapeur d'eau condensée sur les clayettes.
- N'utiliser que des récipients adaptés à la conservation des aliments. Toujours faire refroidir à température ambiante les boissons et les aliments chauds avant de les introduire dans le réfrigérateur.
- Ne pas conserver dans l'appareil des substances explosives et conserver les boissons alcoolisées à haut degré d'alcool hermétiquement fermées et en position verticale.

Fonctionnement de l'appareil (utilisation quotidienne)

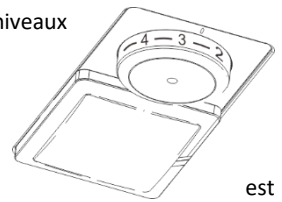
Mise en marche de l'appareil

- Laissez l'appareil en position verticale pendant au moins 4 heures avant de l'allumer.
- Branchez l'appareil et mettez-le sous tension.
- Réglez le thermostat sur la valeur souhaitée, comme indiqué dans la section Réglage de la température.
- Laissez l'appareil pendant environ 4 heures pour qu'il atteigne la bonne température.

Réglage de la température

La température interne est contrôlée par un thermostat. Il existe 8 niveaux de réglage.

- Lorsque le bouton est tourné sur 0 ("stop"), l'appareil s'éteint.
- Les réglages de fonctionnement vont de 1 à 7. 1 est le réglage le plus chaud et 7 le réglage le plus froid.
- L'appareil peut ne pas fonctionner à la bonne température s'il particulièrement chaud ou si vous ouvrez souvent la porte.
- Réglage recommandé pour le compartiment réfrigérateur :
Chaud : 2-4 Normal : 4 Froid : 4-6
- Il n'y a pas de correspondance directe entre le réglage choisi et la température dans les deux parties de l'appareil. L'augmentation du réglage réduit la température à l'intérieur de l'appareil. N'utilisez le réglage le plus élevé 7 qu'en cas d'absolue nécessité : avec ce réglage, les températures à l'intérieur du compartiment réfrigérateur peuvent être proches de 0°C et dans les compartiments 4 étoiles de -18°C. La consommation d'électricité sera plus élevée. Dans des conditions de fonctionnement normales, il est recommandé d'opter pour un réglage moyen-bas (2-4). Cela permet de conserver efficacement les aliments frais dans le compartiment réfrigérateur et les aliments congelés dans le compartiment congélateur.



est



Important : *Le changement des conditions climatiques (température et humidité) et la fréquence d'ouverture de la porte des deux compartiments peuvent avoir une influence sur les températures de fonctionnement du réfrigérateur.*

Stockage et congélation des aliments dans le congélateur

- Cet appareil dispose de trois compartiments de congélation 4 étoiles qui conviennent à la conservation à long terme des aliments surgelés. Il peut également être utilisé pour congeler et conserver des aliments frais.
- Pour une conservation et une congélation correcte, les fruits et légumes doivent être emballés en portions de 1 kg maximum, et la viande et le poisson en portions de 2 kg maximum. Les petits paquets d'aliments se congèlent plus rapidement, ce qui permet de mieux conserver leurs nutriments et leur saveur, même après décongélation et préparation.
- Utilisez uniquement des sacs de congélation, des films en aluminium, des films en polyéthylène homologués et des conteneurs de congélation. N'utilisez pas de sacs en papier, de sacs en cellophane non homologués, de sacs à provisions ou de sacs de congélation usagés.
- Emballez les aliments dans des paquets hermétiques et essayez d'expulser tout l'air. Si vous utilisez des sacs, fermez les paquets à l'aide des élastiques ou des bandes de fil de fer plastifié fournis.
- Laissez toujours refroidir les aliments chauds à température ambiante avant de les placer dans le congélateur et ne laissez pas les aliments congelés toucher les aliments frais à congeler.
- Indiquez toujours sur les emballages la date de congélation, la quantité et le type d'aliment et assurez-vous que les aliments sont frais et en bon état.

Conservation des aliments surgelés

- Lors de l'achat de produits surgelés, veillez toujours à ce que l'emballage ne soit pas endommagé, que la date de péremption du produit ne soit pas dépassée et que le thermomètre du congélateur dans lequel les produits sont exposés à la vente n'indique pas une température supérieure à -18°C. Notez également les conseils de température, la durée de conservation et les modes de consommation indiqués par le producteur.
- Les aliments achetés doivent également être protégés par des conteneurs isolants appropriés pendant le transport afin d'éliminer le risque de décongélation. Une augmentation de la température peut réduire leur durée de conservation et nuire à leur qualité.
- N'achetez pas d'aliments congelés qui présentent trop de givre ; il se peut qu'ils aient déjà été décongelés.

Décongélation des aliments surgelés

- Les aliments partiellement décongelés doivent être consommés le plus rapidement possible. Les basses températures conservent les aliments, mais ne détruisent pas les micro-organismes qui sont activés après la décongélation et qui peuvent entraîner la détérioration des aliments stockés. Si les aliments décongelés ont une odeur et un aspect normaux, ils peuvent être cuits et, si nécessaire, recongelés une fois qu'ils ont refroidi.
- Selon leur type et l'usage auquel ils sont destinés, les aliments congelés peuvent être décongelés correctement à température ambiante, dans le réfrigérateur, dans un four électrique (conventionnel ou à chaleur tournante) ou dans un four à micro-ondes en utilisant la fonction correspondante.

Préparation de glaçons

Remplissez le bac fourni aux 2/3 d'eau ou de tout autre liquide que vous souhaitez congeler. Placez-le dans le compartiment congélateur, en veillant à ce que son fond soit sec afin qu'il ne colle pas à la clayette du compartiment. Pour détacher les glaçons, tordez légèrement le bac ou passez-le sous l'eau courante pendant quelques secondes.

Entretien et nettoyage

Dégivrage du compartiment réfrigérateur

Le compartiment réfrigérateur est à dégivrage automatique. Pendant le fonctionnement normal du réfrigérateur, du givre se forme sur la paroi arrière simultanément au fonctionnement du compresseur et il fond lorsque ce dernier ne fonctionne pas. Pendant chaque période d'arrêt du compresseur, le givre accumulé sur la paroi arrière fond et l'eau coule dans l'orifice prévu sur le fond du compartiment. Ensuite elle est transportée dans le bac situé sur le compresseur d'où elle évapore.



Attention la formation de glace sur la paroi arrière peut varier avec le changement des conditions climatiques (température et humidité), la fréquence d'ouverture de la porte, les températures de fonctionnement de l'appareil, la quantité d'aliments frais contenus (en particulier fruits et légumes).

Dégivrage du compartiment congélateur

Le compartiment congélateur est à dégivrage manuel. Lorsque l'épaisseur de givre ou de glace sur les clayettes est supérieure à 2 cm, il est conseillé d'effectuer le dégivrage. Quelques heures avant le dégivrage, tourner la manette du thermostat sur 7 afin de refroidir davantage les aliments congelés. Puis tourner la manette sur 0 (stop) et débrancher l'appareil. Enlever les surgelés du compartiment et les protéger de la décongélation pendant le nettoyage.

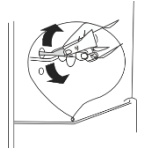
Nettoyage du réfrigérateur

Pour des raisons d'hygiène, l'intérieur de l'appareil, y compris les accessoires intérieurs, doit être nettoyé régulièrement.

- Avant de commencer le nettoyage, débrancher l'appareil. Pour l'extérieur, utiliser exclusivement de l'eau et un détergent liquide ou un détergent pour surfaces lavables (par exemple un produit pour vitres). Ne pas utiliser de produits qui contiennent des substances abrasives ou agressives pour les parties peintes ou vernies, des acides ou des solvants chimiques. Utiliser une éponge ou un chiffon doux.
- Pour le nettoyage interne, ne pas utiliser de nettoyeurs à vapeur, mais des produits d'hygiène spécifiques.
- Enlever les clayettes et les accessoires de la porte en faisant attention de ne pas forcer lors de l'extraction. Ne pas laver les parties plastiques extractibles dans le lave-vaisselle mais tout simplement avec de l'eau tiède et détergent spéciale vaisselle ou de l'eau additionnée de vinaigre. Éviter de toucher les parties électriques de l'éclairage avec l'eau ou les détergents.
- Nettoyer les joints avec de l'eau tiède puis essuyer.
- Pour un fonctionnement correct du réfrigérateur, nettoyer périodiquement le condenseur placé à l'arrière, avec un pinceau ou un aspirateur.
- Vérifier périodiquement la cuve sous le compresseur et, si nécessaire, la nettoyer.

Nettoyage de l'orifice de vidange

Pour éviter que l'eau de dégivrage ne déborde dans le réfrigérateur, nettoyez régulièrement l'orifice d'évacuation situé à l'arrière du compartiment réfrigérateur. Utilisez un produit nettoyant pour nettoyer l'orifice comme indiqué sur l'image de droite.



Arrêt du réfrigérateur

Pour un arrêt prolongé du réfrigérateur, tourner la manette du thermostat sur 0 (stop). Vider ensuite les compartiments, débrancher l'appareil, et après le dégivrage essuyer l'humidité résiduelle accumulée. Laisser la porte entrouverte pour éviter que l'humidité et l'air confiné produisent de mauvaises odeurs.

Remplacement de la lampe du réfrigérateur (Section D) (*)

(*) L'éclairage interne est de type LED. Pour remplacer la lampe, veuillez contacter un technicien qualifié.

Inverser le sens de la porte (Section E)

Outil requis : tournevis cruciforme, tournevis à tête plate et clé à molette ou clé plate.

- Assurez-vous que l'appareil est débranché et vide.
- Pour démonter la porte, il est nécessaire d'incliner le meuble vers l'arrière. Vous devez poser l'appareil sur quelque chose de solide afin qu'il ne glisse pas pendant le processus d'inversion de la porte.
- Toutes les pièces enlevées doivent être conservées pour faire la réinstallation de la porte.
- Ne posez pas l'appareil à plat car cela pourrait endommager le système de refroidissement.
- Il est préférable que 2 personnes manipulent l'unité lors du montage.

Veuillez suivre les images de la section E - Porte inversée

1. Retirez délicatement le cache de la charnière supérieure à l'aide d'un tournevis plat.
2. Dévissez la charnière supérieure avec un tournevis cruciforme.
3. Retirez le couvercle du trou avec un tournevis plat.
4. Déplacez le couvercle du noyau de gauche à droite. Ensuite, soulevez la porte supérieure et placez-la sur une surface rembourrée pour l'empêcher de se rayer.
5. Dévissez la charnière centrale, puis soulevez la porte inférieure et placez-la sur un coussinet souple pour éviter les rayures.
6. Déplacez les deux couvercles du trou du milieu de gauche à droite.
7. Allongez l'arrière de l'armoire sur un coussin doux. Et dévissez la charnière inférieure et le pied de nivellement.
8. Dévissez et retirez l'axe de la charnière inférieure, retournez le support et remettez-le en place.
9. Installez la charnière du côté gauche et la base du pied du côté droit. Visser ensuite deux pieds de nivellement avec leurs pièces d'origine.
10. Déplacez les deux couvercles du trou du milieu de gauche à droite.
11. Relevez l'unité et placez la porte sur la charnière inférieure. Assurez-vous que le noyau de la charnière inférieure est inséré dans le trou de la porte. Déplacez ensuite le couvercle du trou de charnière de la porte inférieure du côté gauche vers le côté droit.

12. Installez la charnière du milieu.
13. Installez la porte supérieure avec la charnière supérieure.
14. Remettez en place le couvercle de la charnière et le couvercle du trou sur le dessus de l'appareil.
15. Détachez les joints des portes du réfrigérateur et du congélateur, puis fixez-les après les avoir tournés.

Conseils pratiques pour une économie d'énergie

- Installer le réfrigérateur dans un lieu frais et aéré, à l'abri des rayons solaires et loin de sources de chaleur ;
- Éviter d'introduire des aliments chauds dans le compartiment réfrigérateur ou congélateur. Attendre le refroidissement à température ambiante des aliments et des boissons avant de les mettre sur les clayettes ;
- Réduire le temps et le nombre d'ouverture de la/des porte/s pour éviter un réchauffement excessif des compartiments ;
- Nettoyer périodiquement le condenseur (à l'arrière du réfrigérateur) pour éviter des pertes d'efficacité de l'appareil ;
- En cas d'arrêt prolongé, vider l'appareil et l'éteindre ;
- Décongeler les surgelés dans le compartiment réfrigérateur afin de récupérer le froid accumulé par les aliments congelés qui pourront ainsi le céder au compartiment réfrigérateur.

Bruits de fonctionnement

- Le refroidissement du réfrigérateur et du congélateur a lieu par un système à compression. Pour maintenir la température sélectionnée à l'intérieur des compartiments, le compresseur se met en marche et selon le refroidissement demandé, si nécessaire, il peut fonctionner en continu. Quand le compresseur se met en marche, on entend un ronflement qui tend à diminuer d'intensité au bout de quelques minutes.
- Un autre bruit lié au fonctionnement normal est un gargouillement dû au passage du réfrigérant à l'intérieur des tuyaux du circuit. Ce bruit est normal et n'est pas un signal de mauvais fonctionnement de l'appareil. S'il est trop fort, il se peut qu'il soit dû aussi à d'autres causes. Il faut donc vérifier que :
 - La mise de niveau soit correcte et que pendant le fonctionnement du compresseur le réfrigérateur ne vibre pas : faire un réglage correct des pieds fournis ;
 - Les tiroirs, les clayettes et les bacs de la porte soient bien mis dans leurs logements : les introduire correctement ;
 - Bouteilles et récipients sur les différentes clayettes soient bien posés et ne soient pas en contact entre eux : la vibration due au fonctionnement du compresseur pourrait produire un certain bruit ;
 - Ne pas mettre le réfrigérateur en contact avec des meubles ou d'autres électroménagers.
 - Élimination et localisation de défauts de fonctionnement possibles.

Dépannage

Attention ! Avant de procéder au dépannage, coupez l'alimentation électrique. Seul un électricien qualifié ou une personne compétente doit effectuer les opérations de dépannage qui ne figurent pas dans ce manuel.

Important ! Certains bruits se font entendre lors d'une utilisation normale (compresseur, circulation du réfrigérant).

Problème	Cause possible	Solution du problème
L'appareil ne fonctionne pas.	Le bouton de réglage de la température est réglé sur le chiffre "0".	Régler le bouton sur un autre niveau pour mettre l'appareil en marche.
	La fiche d'alimentation n'est pas branchée ou est desserrée.	Insérer la fiche secteur.
	Le fusible a sauté ou est défectueux.	Vérifier le fusible, le remplacer si nécessaire.
	La prise est défectueuse.	Les problèmes de réseau doivent être corrigés par un électricien.
Les aliments sont trop chauds.	La température n'est pas correctement réglée.	Veillez consulter la section relative au réglage initial de la température.
	La porte est restée ouverte pendant une période prolongée.	N'ouvrez la porte que le temps nécessaire.
	Une grande quantité d'aliments chauds a été placée dans l'appareil au cours des dernières 24 heures.	Réglez temporairement la température à un niveau plus froid.
	L'appareil se trouve à proximité d'une source de chaleur.	Veillez consulter la section relative à l'emplacement de l'appareil.
L'appareil refroidit trop.	La température est réglée trop froide.	Tournez temporairement le bouton de réglage de la température vers un réglage plus chaud.
Bruits inhabituels.	L'appareil n'est pas de niveau.	Réajustez les pieds.
	L'appareil touche le mur ou d'autres objets.	Déplacez légèrement l'appareil.
	Un élément, par exemple un tuyau, situé à l'arrière de l'appareil touche une autre partie de l'appareil ou le mur.	Si nécessaire, pliez avec précaution l'élément pour le dégager.
Eau sur le sol.	L'orifice d'évacuation de l'eau est bouché.	Voir la section Nettoyage.
Le panneau latéral est chaud.	Le condensateur se trouve à l'intérieur du panneau.	C'est normal.



Ce produit est un réfrigérateur domestique. Selon les réglementations nationales, réfrigérateur domestique est approprié pour la conservation des aliments, et ne peut être utilisé pour stocker d'autres éléments, tels que le sang, médicaments et produits biologiques, etc.

Données Techniques

Référence	CR-32W.016A / CR-32S.017A
Alimentation/ Classe de protection	220-240 V~ 50Hz / I
Courant nominal	0.70A / 100W
Puissance de la lampe	1 W
Réfrigérant gaz / Quantité	R600a / 68g
Isolation gazeuse	C5H10
Classe d'efficacité énergétique (1)	E (EEI% = 100)
Consommation d'énergie annuelle	234,0kWh/a
Consommation d'énergie E16 (2)	0.337kWh/24h
Consommation d'énergie E32 (2)	0.933kWh/24h
La durée de montée en température	14h
Capacité totale nette	315 L
Réfrigérateur	219 L
Congélateur	96 L
Classification du congélateur	
Capacité du congélateur	4.4kg/24h
Type de dégivrage	(Automatique / Manuelle)
Classe Climatique	N/ST (+16°C a +38°C)
Émissions de bruit acoustique dans l'air [dB (A) re 1pW]	40 dB
Classe d'émission de bruit acoustique dans l'air	C
Poids net/Poids brut	58kg/64kg
Dimensions hors tout (H x L x P)	1858 x 600 x 605 (mm)
(1) Classe énergétique : A.....G (A= économique...G= moins économique)	
(2) La consommation d'énergie réelle dépend des conditions et de l'emplacement de l'appareil.	

(*) Ce produit contient une source lumineuse de classe d'efficacité énergétique G.

Déclaration de conformité

Cet appareil est destiné à la conservation des denrées alimentaires et est fabriqué conformément à la Directive Européenne 10-2011 et au règlement (CE) No. 1935/2004.

Cet appareil a été conçu, construit et mis sur le marché conformément aux:



- objectifs de sécurité de la Directive Basse Tension 2014/35/UE;
- conditions requises en matière de protection de la Directive EMC 2014/30/UE;
- matériaux et objets en matière plastique destinés à entrer en contact avec des denrées alimentaires Règlement (UE) N° 10/2011.

- Règlement (UE) 2019/2016 et Règlement (UE) 2019/2019

La sécurité électrique de l'appareil est garantie uniquement si celui-ci est correctement branché à une installation de mise à la terre performante et réglementaire.

Élimination – La politique environnementale

Emballage



L'emballage est 100% recyclable et porte le symbole du recyclage. Pour la mise au rebut, suivez les réglementations locales en vigueur. Les matériaux d'emballage (sachets en plastique, éléments en polystyrène, etc.) doivent être tenus hors de portée des enfants, car ils constituent une source potentielle de danger.

Mise au rebut

Cet appareil a été fabriqué avec des matériaux recyclables.

Cet appareil porte le symbole du recyclage conformément à la Directive Européenne 2012/19/EU concernant les Déchets d'Équipements Électriques et Électroniques (DEEE ou WEEE).

En procédant correctement à la mise au rebut de cet appareil, vous contribuerez à empêcher toute conséquence nuisible pour l'environnement et la santé de l'homme.

Le symbole présent sur l'appareil ou sur la documentation qui l'accompagne indique que ce produit ne peut en aucun cas être traité comme déchet ménager. Il doit par conséquent être remis à un centre de collecte des déchets chargé du recyclage des équipements électriques et électroniques.



Au moment de la mise au rebut, rendez l'appareil inutilisable en sectionnant le câble d'alimentation et en démontant les portes et les grilles, de façon que les enfants ne puissent accéder facilement à l'intérieur de celui-ci.

Pour la mise au rebut, respectez les normes relatives à l'élimination des déchets en vigueur dans le pays d'installation et remettez l'appareil à un centre de collecte. Évitez de laisser l'appareil sans surveillance, même pendant quelques jours seulement, car il représente une source de danger pour les enfants. Pour obtenir de plus amples détails au sujet du traitement, de la récupération et du recyclage de cet appareil, veuillez-vous adresser au bureau compétent de votre commune, à la société locale de collecte des déchets ménagers ou directement à votre revendeur.

Déclaration de garantie

Termes et conditions de la garantie

1. Le produit est garanti pour la période stipulée par la législation où il est mis sur le marché, à compter de la date d'achat, contre les défauts de fabrication et/ou de main d'œuvre. Le défaut de conformité manifesté dans ce délai est présumé exister à la date d'achat. Passé ce délai, il appartient au client de prouver que le défaut de conformité existait déjà au moment de la livraison.
2. Si, pendant la période de garantie, le produit est défectueux en utilisation normale, l'acheteur doit contacter l'établissement de vente et envoyer l'appareil à l'endroit indiqué par le vendeur.
3. La garantie n'est valable que sur présentation de la facture prouvant l'achat et du certificat de garantie complété (indiquant la date d'achat, le nom du revendeur, la référence du modèle, et il est également recommandé d'indiquer le numéro de série et le numéro de lot).
4. L'importateur/vendeur se réserve le droit de refuser l'assistance de garantie dans le cas où ces informations ont été supprimées ou modifiées après l'achat initial du produit.

5. La responsabilité de l'importateur/vendeur comprend, entre autres, les frais de réparation et/ou de remplacement de l'unité couverte par la garantie avec la réserve du droit de la remplacer par un produit équivalent, lorsqu'il n'est pas possible de la réparer.
6. La garantie ne s'applique pas aux problèmes qui ne sont pas directement liés à des défauts de matériau, de conception ou de fabrication.
7. Ce produit est un appareil et est destiné à un usage domestique uniquement. La garantie expirera si le produit est utilisé à des fins professionnelles.
8. La garantie ne couvre pas les dommages causés par une mauvaise utilisation, une mauvaise installation, un déversement, des facteurs externes ou des dommages intentionnels.
9. La garantie ne couvre pas les dommages résultant de chutes, de l'utilisation d'une force excessive, des coups, de l'exposition à des conditions environnementales extrêmes ou de la détérioration causée par l'utilisation normale de pièces en plastique ou de claviers, ainsi que l'utilisation de batteries autres que celles spécifiées dans ce manuel.
10. La garantie ne couvre pas l'installation et la programmation par le concessionnaire. En particulier, aucune réclamation pour l'installation et la programmation gratuite par le revendeur ne peut être acceptée.
11. La garantie ne couvre pas les défauts qui nuisent de manière insignifiante au fonctionnement de l'appareil. Les autres frais, tels que l'installation, le transport et le déplacement du technicien sont expressément exclus de la garantie.
12. L'applicabilité de la garantie suppose que l'appareil soit envoyé à l'établissement du vendeur ou à l'endroit indiqué par celui-ci, complet et dans un emballage bien protégé (si possible dans son emballage d'origine) et accompagné de la feuille ou de la carte de garantie respective, dûment rempli et d'une preuve d'achat.
13. Si, après vérification, il s'avère qu'il n'y a aucune raison pour la réclamation, ou que le produit n'est pas défectueux, les coûts inhérents seront imputés au client, et le revendeur est autorisé à facturer ces coûts au client.
14. La garantie sera annulée lorsqu'elle montre des signes qu'une personne non autorisée a tenté d'effectuer des réparations, des modifications ou le remplacement de pièces sur l'appareil.
15. Les réparations effectuées après la fin de la période de garantie sont soumises à des frais.
16. Cette garantie n'affecte pas vos droits légaux que vous pouvez avoir en tant que consommateur en vertu de la législation nationale applicable régissant l'achat de produits lorsque le produit est vendu.
17. **Période de garantie :**
 - Pays de l'Union Européenne** - Les directives européennes (UE) 2019/771 et (UE) 2019/770 s'appliquent à certains aspects des contrats d'achat et de vente de biens meubles et transposées dans les législations nationales de leurs pays.
 - Autres pays** - la législation nationale sur les droits des consommateurs dans leur pays s'applique. En l'absence de législation officielle, la garantie est appliquée à la discrétion de l'importateur qui met le produit sur le marché ou de l'établissement du vendeur.

Meet the family



HAEGERTEC, S.A.

Edifício HAEGER – Pct. Cidade de Londres, 1
Parque Industrial do Arneiro
2660-456 S. Julião do Tojal
PORTUGAL
<https://www.haegergroup.com>

Tel: +351 21 949 83 00 (PBX)
Tel: +351 21 949 83 02 (after sales support)
Fax: +351 21 949 83 25
e-mail: assistencia@haegergroup.com
e-mail: comercial@haegergroup.com



2312CR32W016A-EU
